

Job Name: 25-0210 Salsa Square Development
 Job Location: Bowling Green, KY
 Contractor: Scott & Ritter, Inc.

Plant: 100

12/1/2025 12:19:41 PM

Tech: J. Horsley - A

PC: Celina Goff



Structure ID: A7

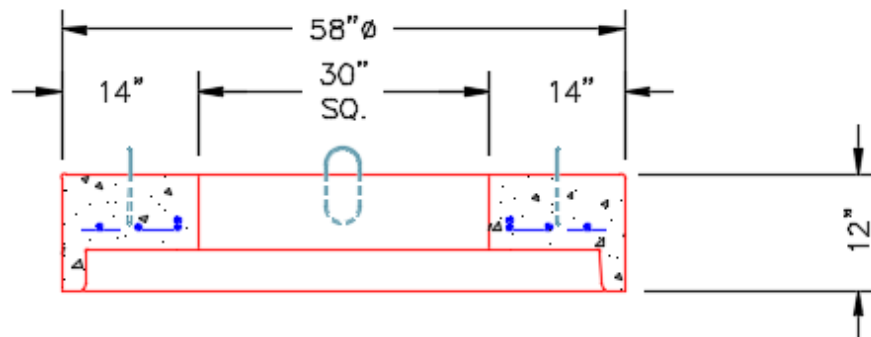
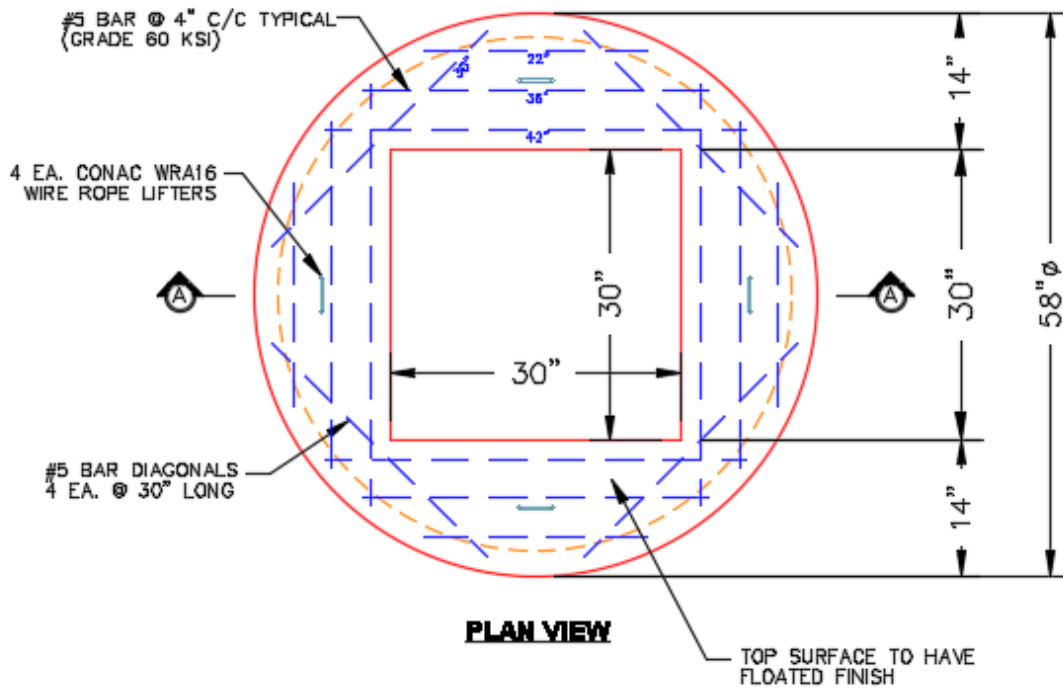
P2 MH048LD12S

MH FLAT TOP w/30"x30" Hole F/G

- P4) 30" x 30" - CASTING HEIGHT - 4"
- P3) 30" x 30" - GRADE RING F/F - 4"
- P2) 48" - MH FLAT TOP w/30"x30" Hole F/G - 12"
- P1) 48" - MH BASE T/n - 60"
- 1) CASTING - HOE 468 F/G
- 1) 48" - SGL 1"x14.5' Butyl (2x)
- 2) Hole - 20
- 5) MH Step ML-10-TDS-NCR - 10"

	0 lb
	290 lb
	1350 lb
	5251 lb
	489 lb
	0 lb
	0 lb
	0 lb
Structure Total:	7380 lb

Structure Notes:
 PLAN LABEL: ST-A7
 1. HOE 468 F/G PROVIDED BY ICAST.
 2. PER ASTM C478 SPECIFICATIONS.
 3. CONCRETE = 4,000 PSI AT 28 DAYS.
 4. REINFORCING PER ASTM A615 (GRADE 60).
 - TOP SLAB (As .62) #5 BARS AT 6" C.C.E.W..
 - RISER/WALLS (As .12)
 - FLOOR (As .31) #5 BARS AT 12" C.C.E.W.



Coating (Int): Coating (Ext):	Seam Up: Flat Seam Dn: Groove	Wall Thickness: 5"	Height (Ext): 12"	Weight (Net): 1350 lb Volume (Net): 0.33cu.yd
----------------------------------	----------------------------------	--------------------	-------------------	--