

Structure ID: A7

P1 MH048BA60

MH BASE T/n

P4) 30" x 30" - CASTING HEIGHT - 4" P3) 30" x 30" - GRADE RING F/F - 4" P2) 48" - MH FLAT TOP w/30"x30" Hole F/G - 12" P1) 48" - MH BASE T/n - 60" 1) CASTING - HOE 468 F/G 1) 48" - SGL 1"x14.5' Butyl (2x) 2) Hole - 20 5) MH Step ML-10-TDS-NCR - 10"	0 lb 290 lb 1350 lb 5251 lb 489 lb 0 lb 0 lb 0 lb 0 lb	Structure Total: 7380 lb
---	--	--------------------------

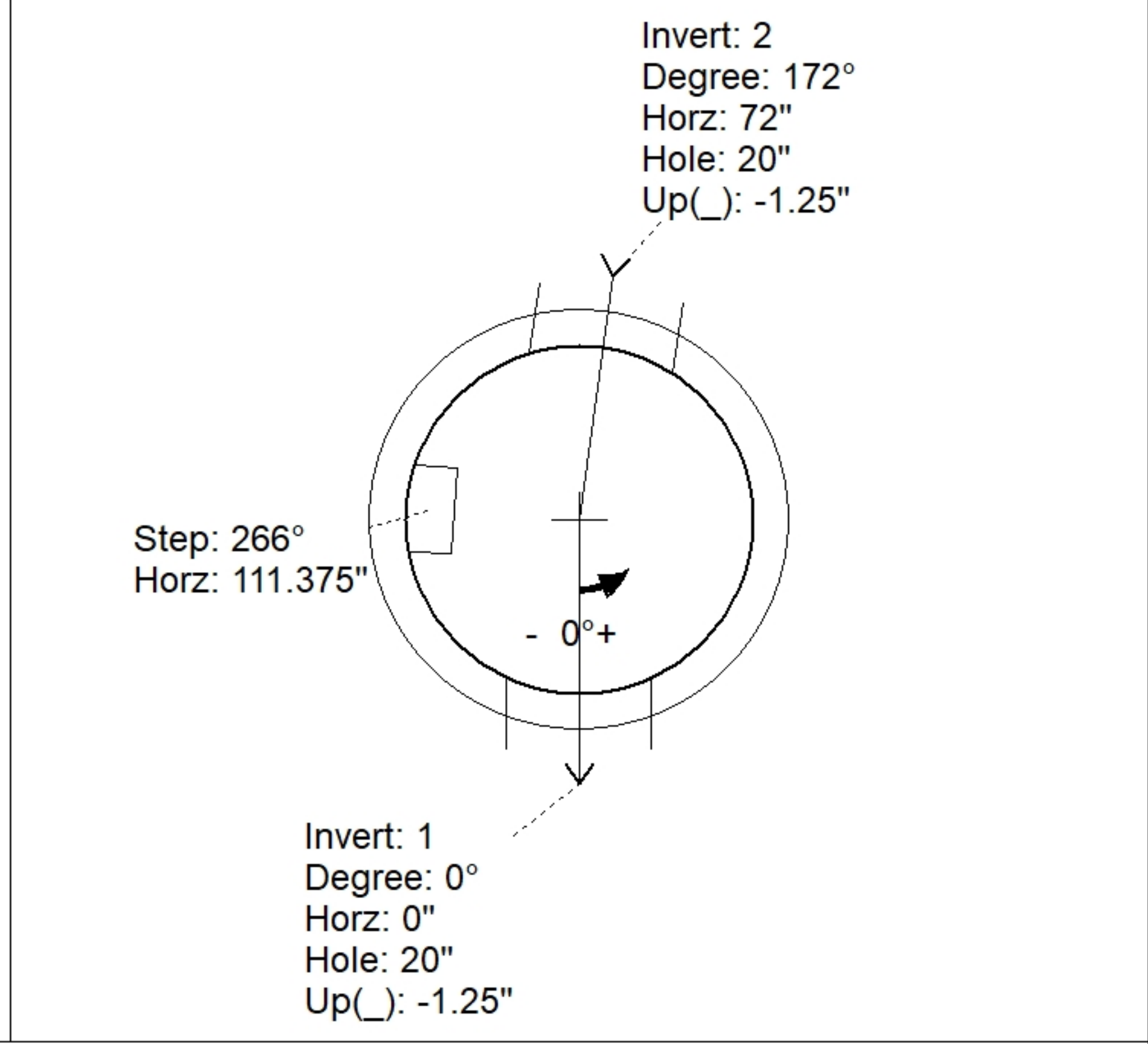
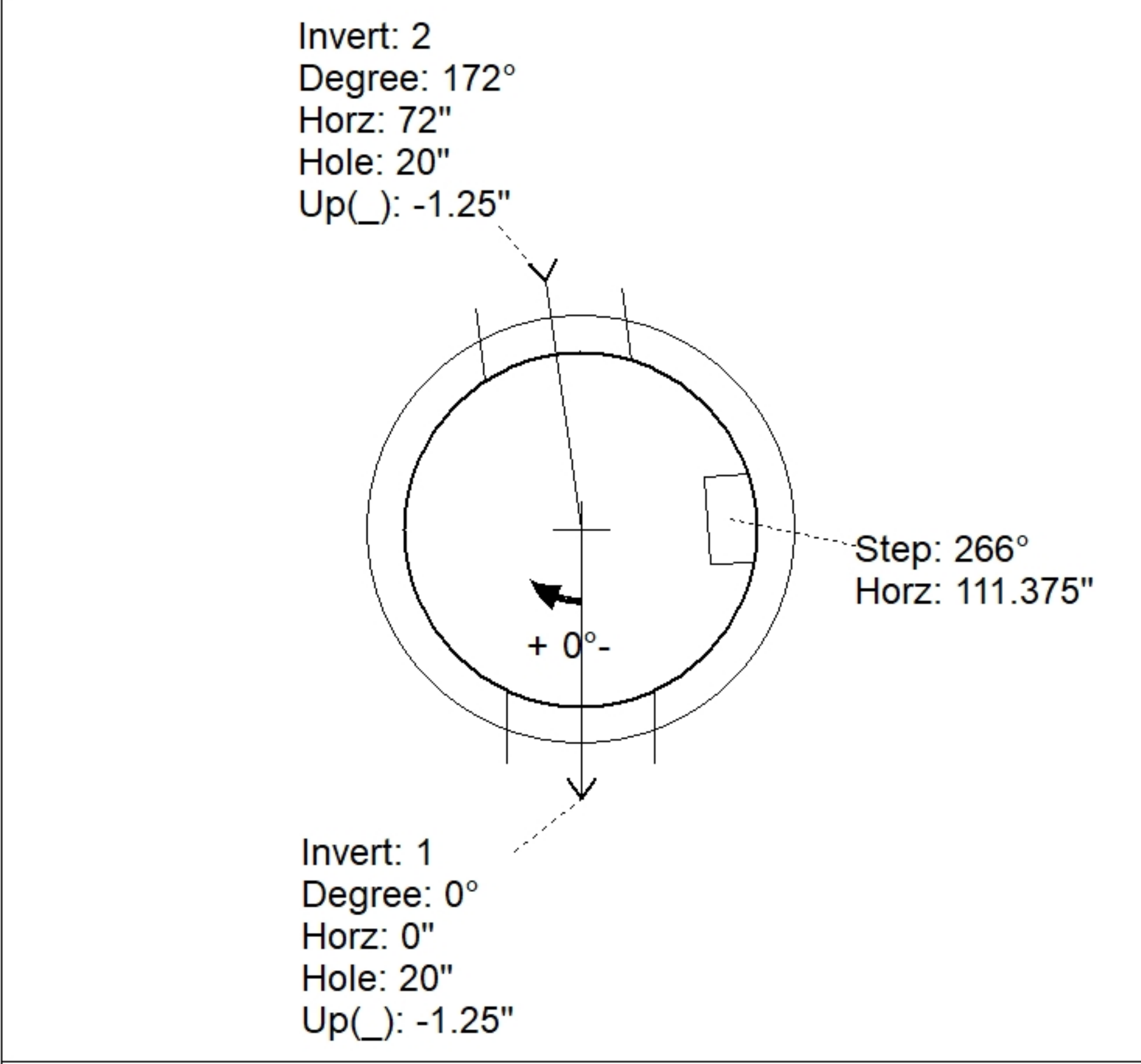
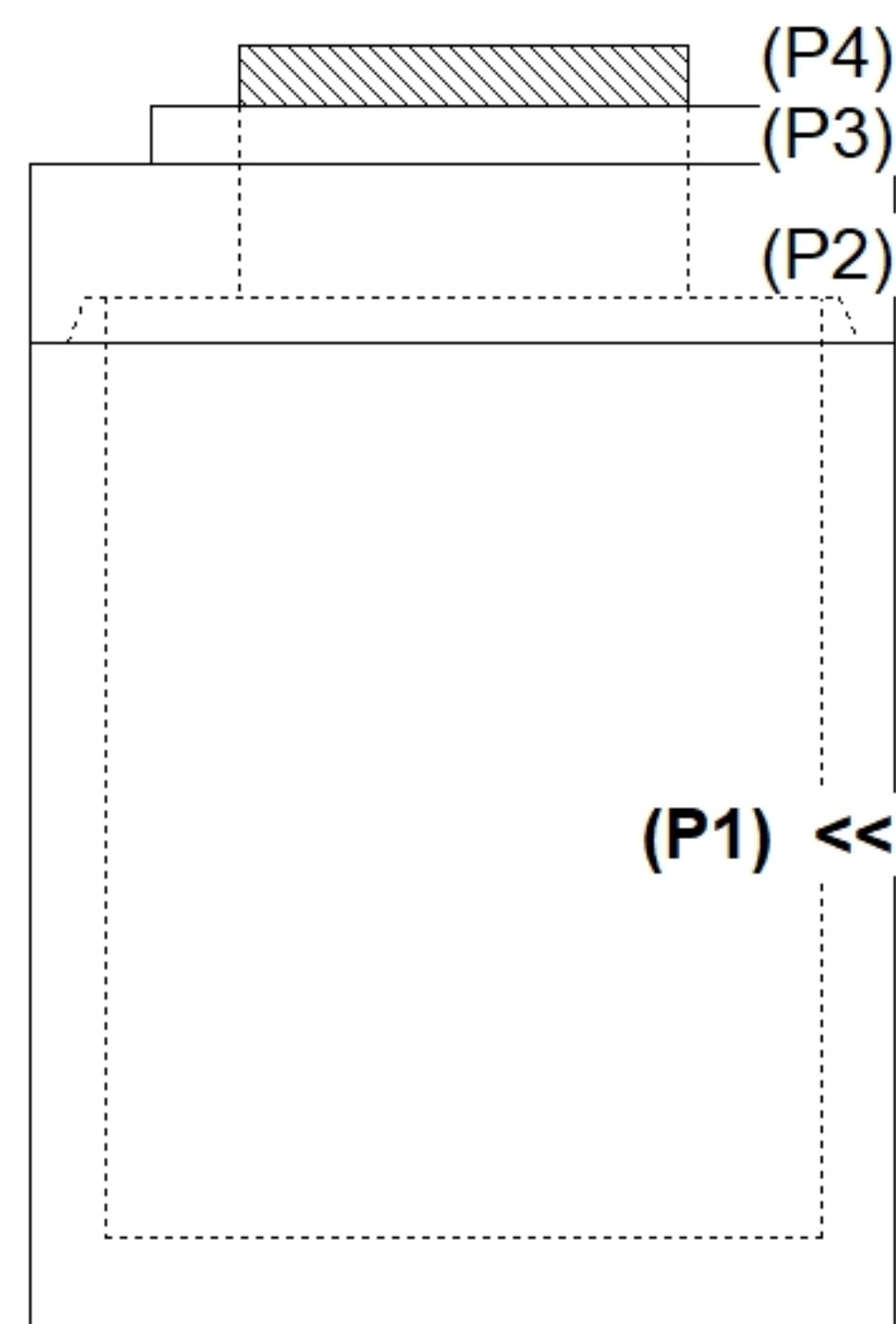
Structure Notes:
 PLAN LABEL: ST-A7
 1. HOE 468 F/G PROVIDED BY ICAST.
 2. PER ASTM C478 SPECIFICATIONS.
 3. CONCRETE = 4,000 PSI AT 28 DAYS.
 4. REINFORCING PER ASTM A615 (GRADE 60).
 - TOP SLAB (As .62) #5 BARS AT 6" C.C.E.W..
 - RISER/WALLS (As .12)
 - FLOOR (As .31) #5 BARS AT 12" C.C.E.W.

Rim: 532.43' Rim to Invert: 6.77' Slack: 1.24" Sump: 0" Step Position: 266°

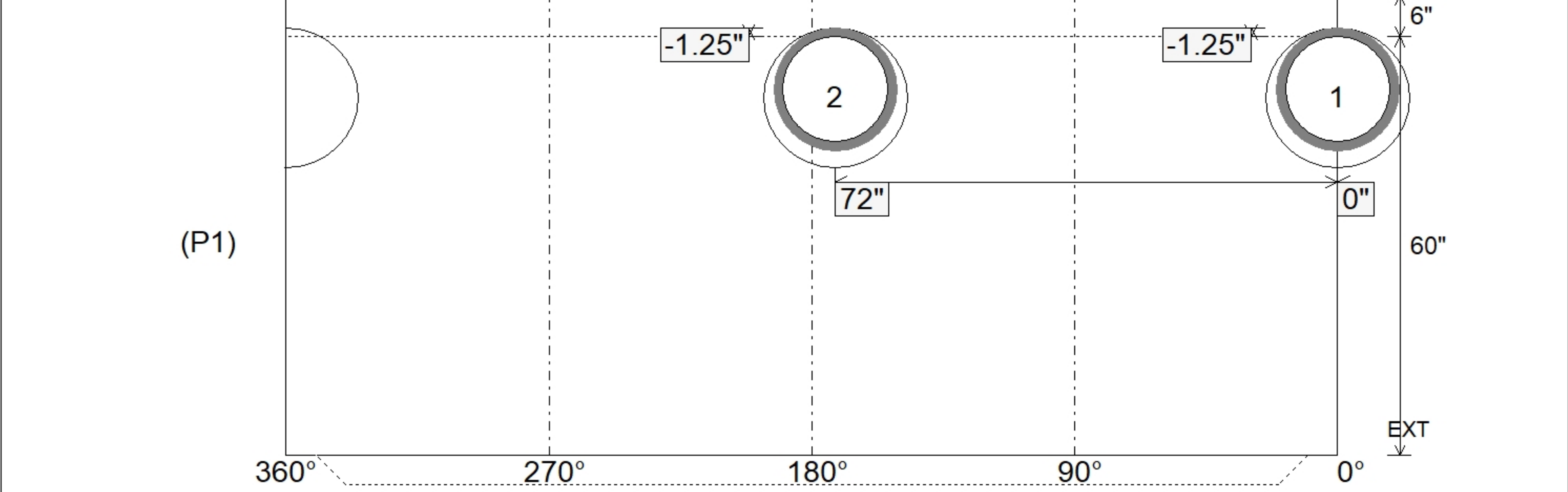
Position	Elev	Angle	Ext. (cw)	Pipe	Pipe OD	Connector	Hole	Horz Size	Up ()	Offset
Invert 1	525.66'	0°	0"	15" HDPE	17.6"	Hole 20	20"	20.629"	-1.25"	0"
Invert 2	525.66'	172°	87"	15" HDPE	17.6"	Hole 20	20"	20.629"	-1.25"	0"
Invert 3										
Invert 4										
Invert 5										
Invert 6										
Invert 7										
Invert 8										

RIGHT-SIDE UP VIEW (int. dimensions)

UPSIDE-DOWN VIEW (int. dimensions)



INSIDE WALL DIMENSIONS



Coating (Int):	Seam Up: Tongue	Wall Thickness: 5"	Height (Int): 60"	Weight (Net): 5251 lb
Coating (Ext):	Seam Dn: n/a	Floor Height: 6"	Height (Ext): 66"	Volume (Net): 1.34cu.yd