

Job Name: 25-0210 Salsa Square Development
Job Location: Bowling Green, KY
Contractor: Scott & Ritter, Inc.

PC: Celina Goff
 TECH: J. Horsley - A
 Plant: 100



Structure ID: A6

Spec: Storm
 Type: STM.MH (Recessed pipe)
 Size: 48"

Rim: 533.02'
 Invert: 524.92'
 Rim to Invert: 8.1'

Sump: 0"
 Floor (Top): 524.92'
 Floor Height: 6"

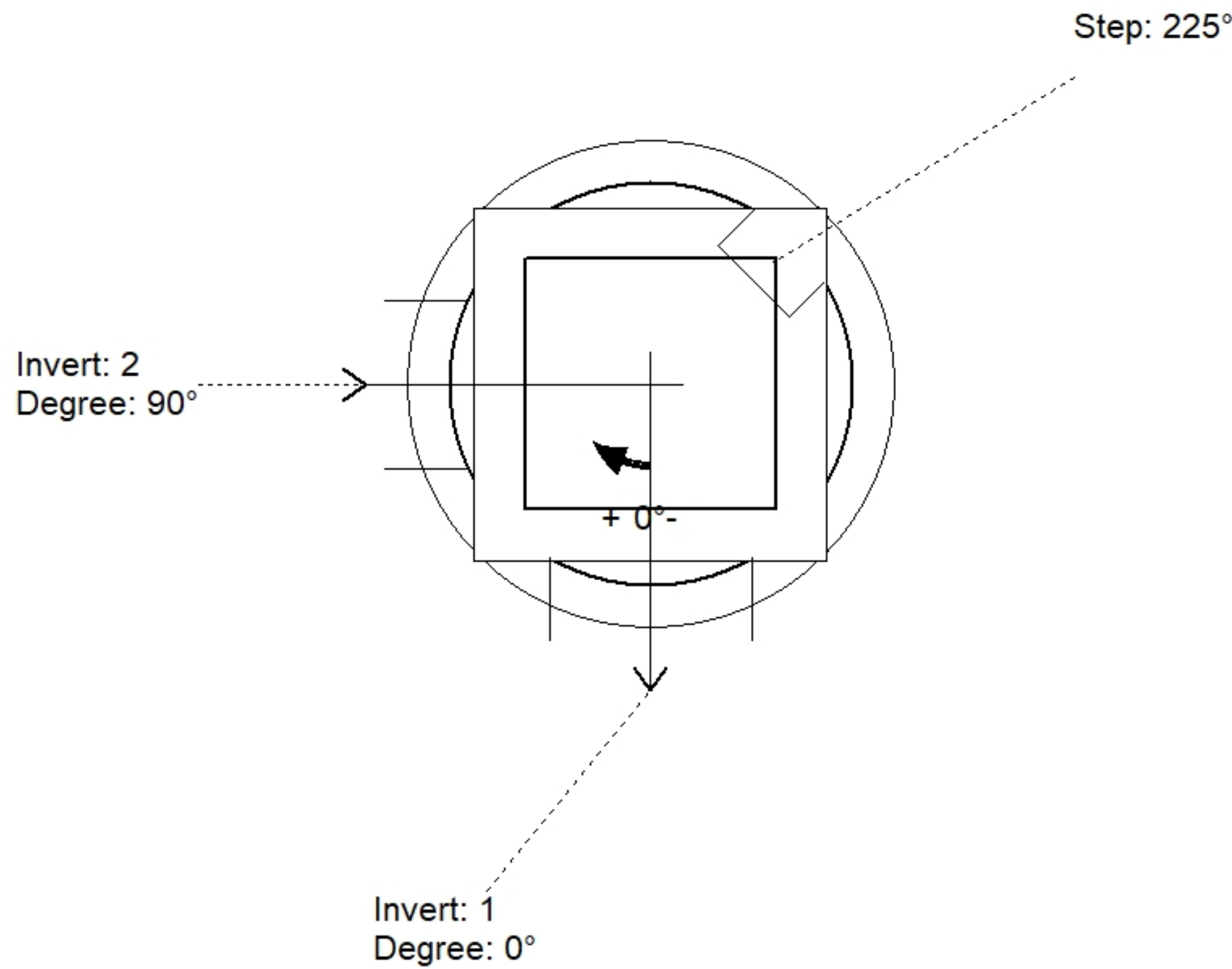
Floor (Bot): 524.42'
 Overall Height: 8.583'
 Slack: 0.2"

Structure Notes:

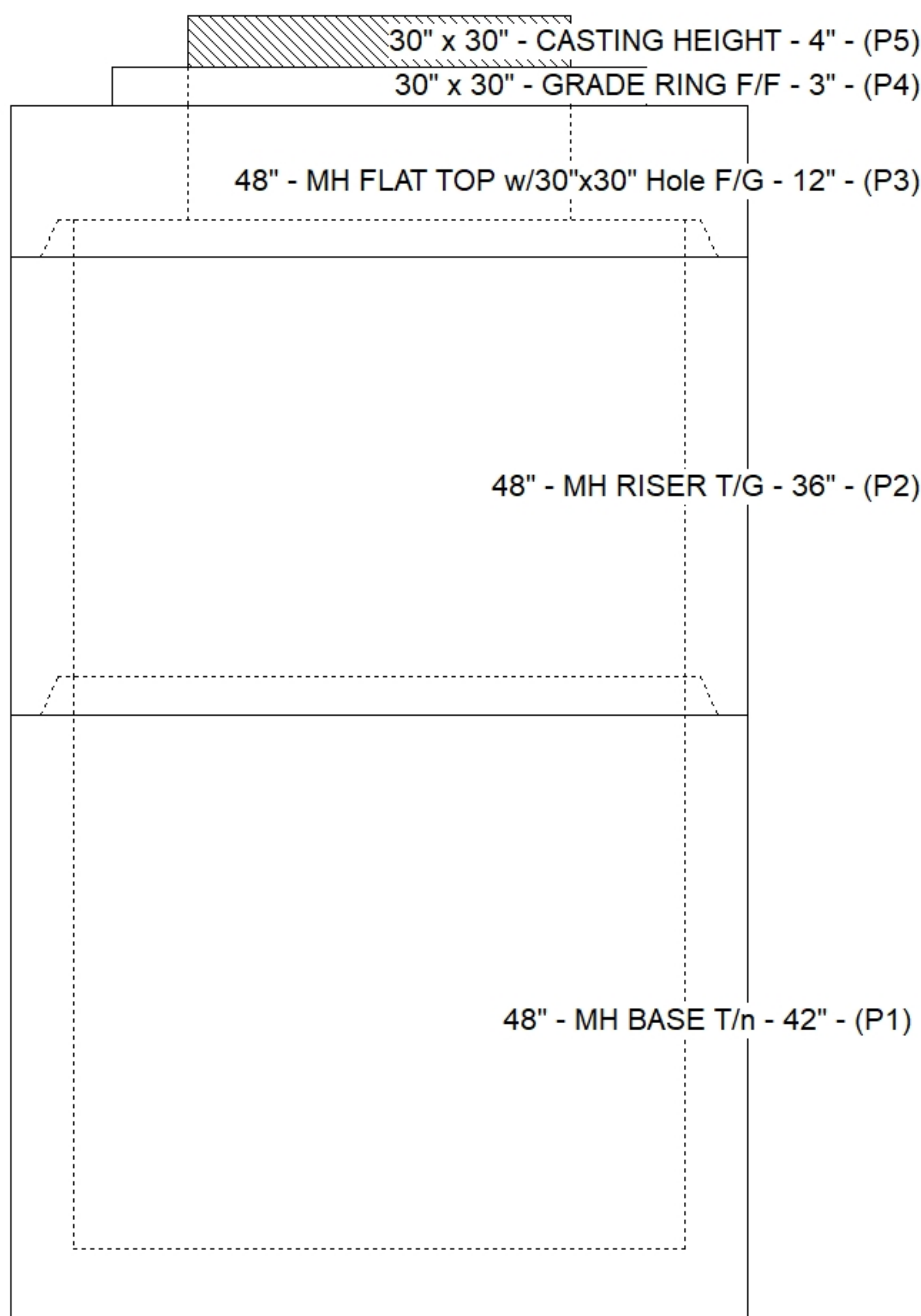
- PLAN LABEL: ST-A6
- HOE 468 F/G PROVIDED BY ICAST.
 - PER ASTM C478 SPECIFICATIONS.
 - CONCRETE = 4,000 PSI AT 28 DAYS.
 - REINFORCING PER ASTM A615 (GRADE 60).
 - TOP SLAB (As .62) #5 BARS AT 6" C.C.E.W..
 - RISER/WALLS (As .12)
 - FLOOR (As .31) #5 BARS AT 12" C.C.E.W.

STRUCTURE SUMMARY:

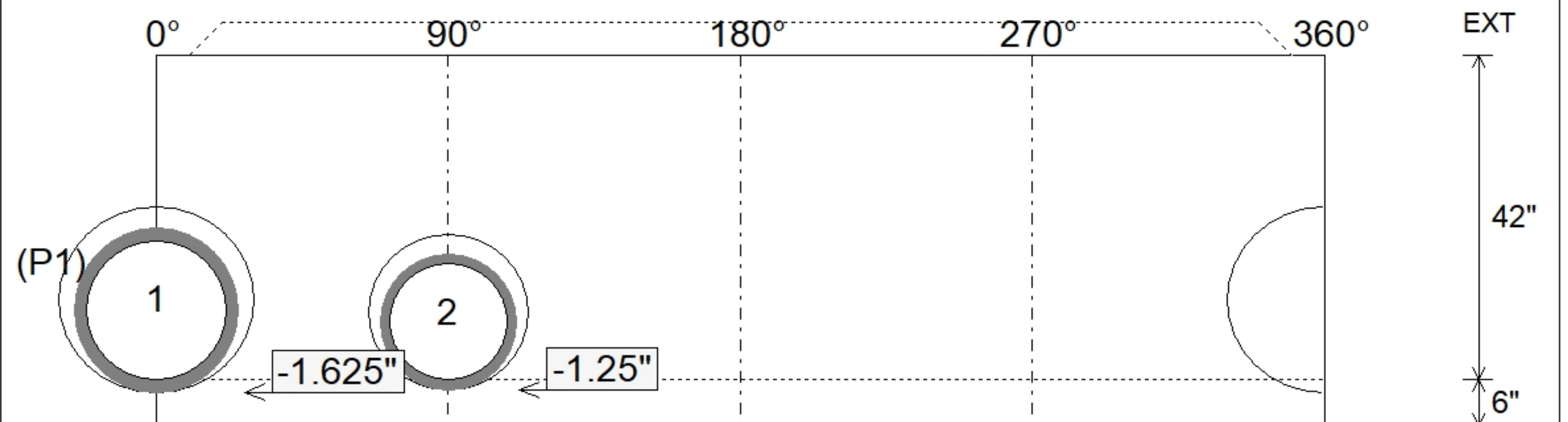
P5) 30" x 30" - CASTING HEIGHT - 4"	0 lb
P4) 30" x 30" - GRADE RING F/F - 3"	218 lb
P3) 48" - MH FLAT TOP w/30"x30" Hole F/G - 12"	1350 lb
P2) 48" - MH RISER T/G - 36"	2515 lb
P1) 48" - MH BASE T/n - 42"	3932 lb
1) CASTING - HOE 468 F/G	489 lb
2) 48" - SGL 1"x14.5' Butyl (2x)	0 lb
1) Hole - 24	0 lb
1) Hole - 20	0 lb
7) MH Step ML-10-TDS-NCR - 10"	0 lb
Structure Total:	8503 lb



Position	Elev	Angle	Pipe	Pipe OD	Hole	Connector	Up (L)	Ref
Rim	533.02'							
Reducer								
Invert 1	524.92'	0°	18" HDPE	21.2"	24"	Hole 24	-1.625"	P1
Invert 2	524.92'	90°	15" HDPE	17.6"	20"	Hole 20	-1.25"	P1
Invert 3								
Invert 4								
Invert 5								
Invert 6								
Invert 7								
Invert 8								



Cast (Int. Dim.) - Interior Dimensions



Submittal Drawing
 12/1/2025 9:51:59 AM

SUBMITTAL
 APPROVED BY: