

Structure ID: A6

P1 MH048BA42

MH BASE T/n

P5) 30" x 30" - CASTING HEIGHT - 4" P4) 30" x 30" - GRADE RING F/F - 3" P3) 48" - MH FLAT TOP w/30"x30" Hole F/G - 12" P2) 48" - MH RISER T/G - 36" P1) 48" - MH BASE T/n - 42" 1) CASTING - HOE 468 F/G 2) 48" - SGL 1"x14.5' Butyl (2x) 1) Hole - 24 1) Hole - 20 7) MH Step ML-10-TDS-NCR - 10"	0 lb 218 lb 1350 lb 2515 lb 3932 lb 489 lb 0 lb 0 lb 0 lb 0 lb ----- Structure Total: 8503 lb
---	--

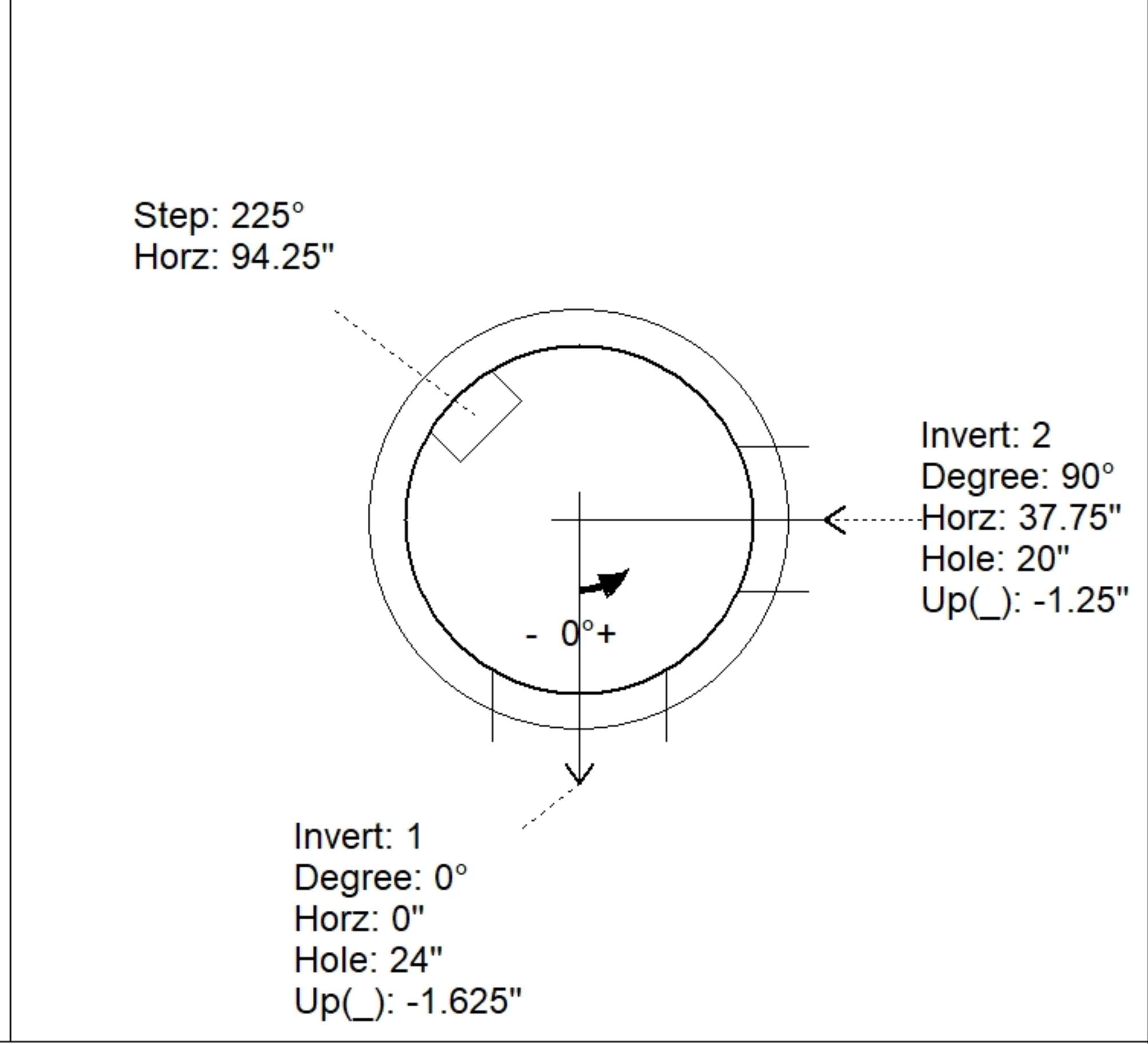
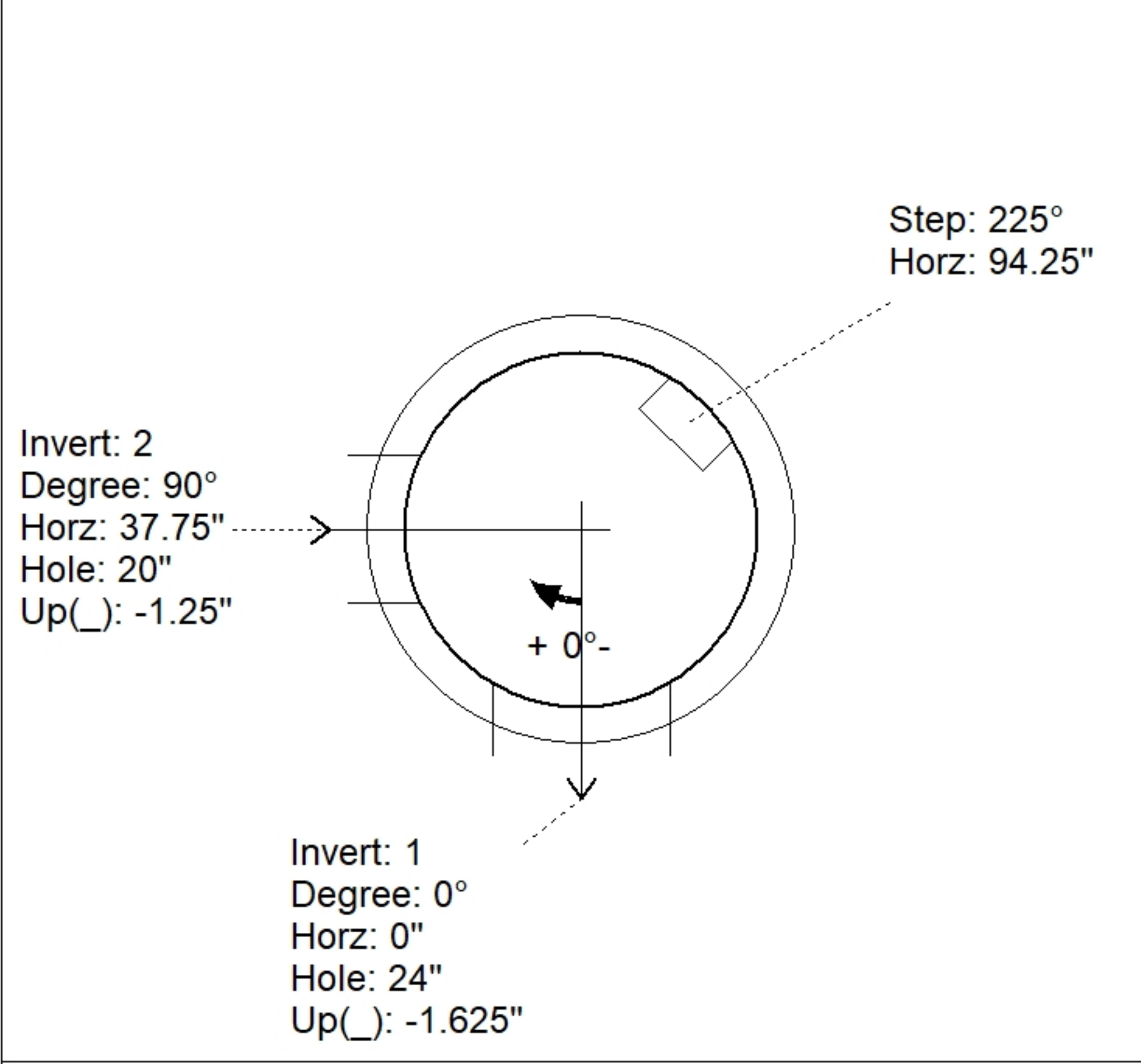
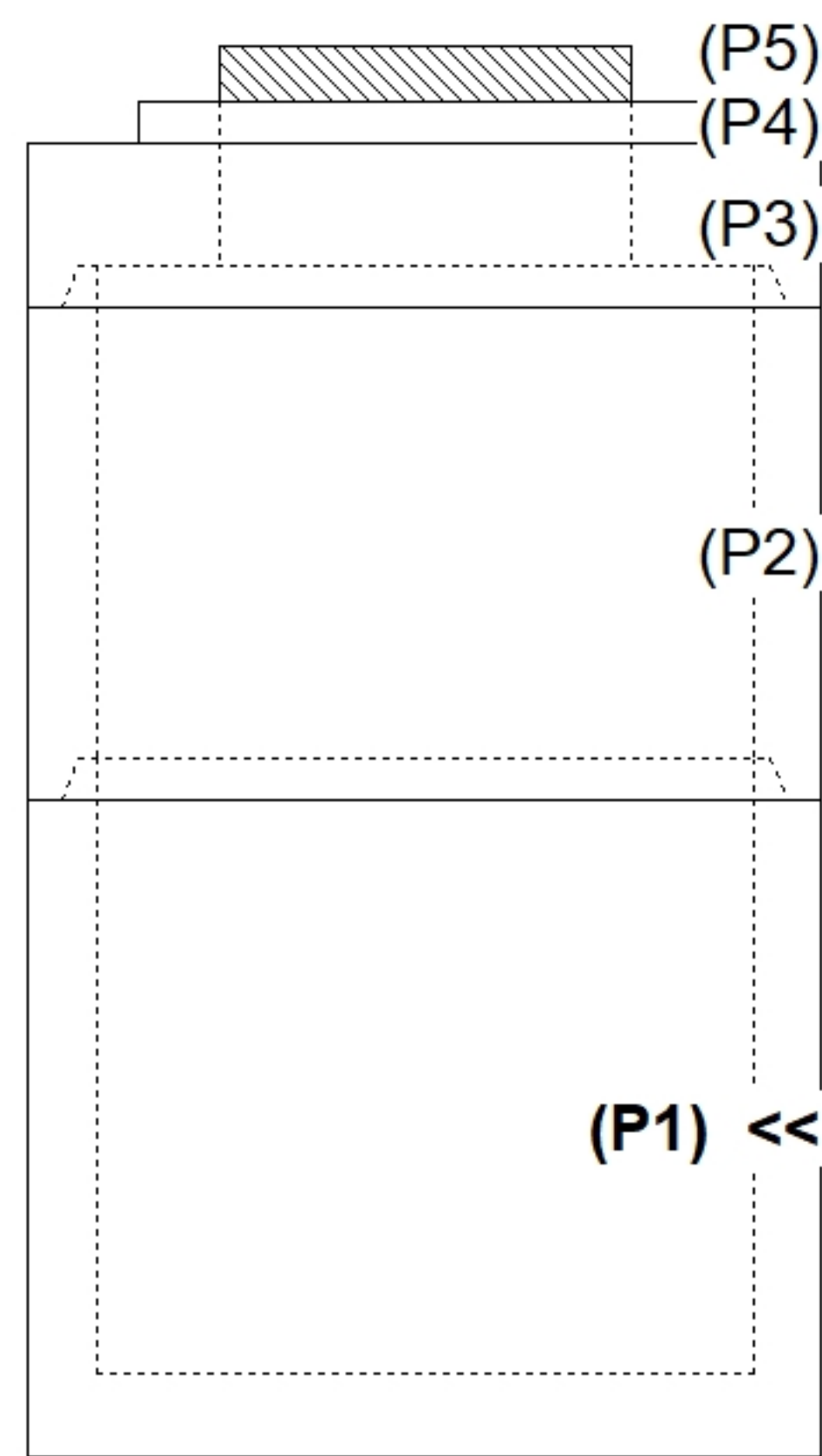
Structure Notes:
 PLAN LABEL: ST-A6
 1. HOE 468 F/G PROVIDED BY ICAST.
 2. PER ASTM C478 SPECIFICATIONS.
 3. CONCRETE = 4,000 PSI AT 28 DAYS.
 4. REINFORCING PER ASTM A615 (GRADE 60).
 - TOP SLAB (As .62) #5 BARS AT 6" C.C.E.W..
 - RISER/WALLS (As .12)
 - FLOOR (As .31) #5 BARS AT 12" C.C.E.W.

Rim: 533.02' Rim to Invert: 8.1' Slack: 0.2" Sump: 0" Step Position: 225°

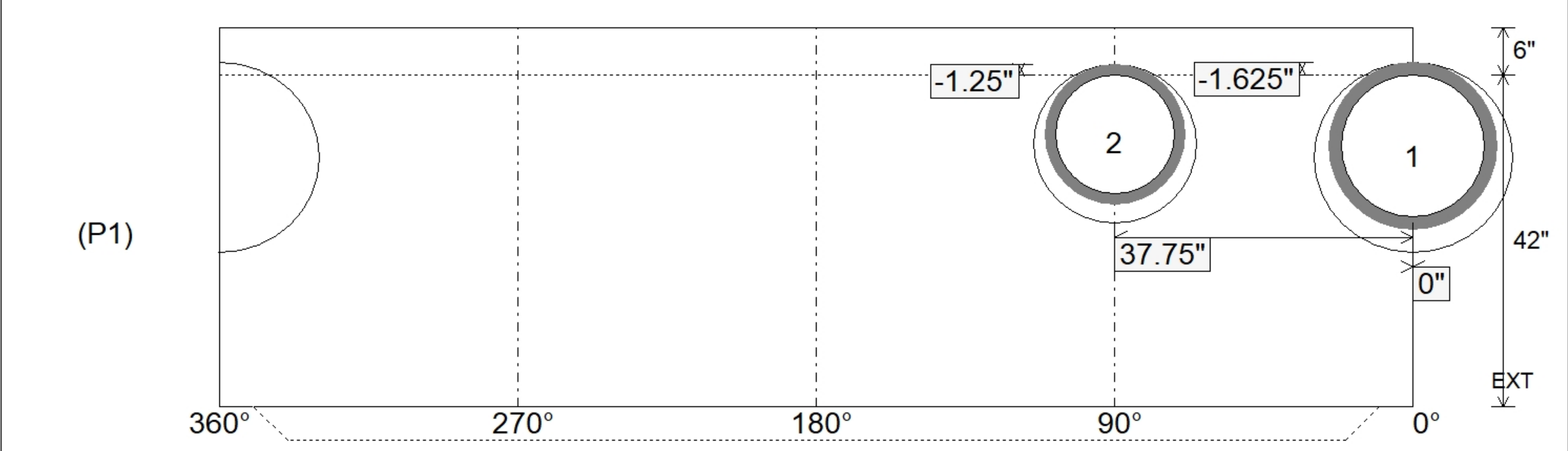
Position	Elev	Angle	Ext. (cw)	Pipe	Pipe OD	Connector	Hole	Horz Size	Up ()	Offset
Invert 1	524.92'	0°	0"	18" HDPE	21.2"	Hole 24	24"	25.133"	-1.625"	0"
Invert 2	524.92'	90°	45.5"	15" HDPE	17.6"	Hole 20	20"	20.629"	-1.25"	0"
Invert 3										
Invert 4										
Invert 5										
Invert 6										
Invert 7										
Invert 8										

RIGHT-SIDE UP VIEW (int. dimensions)

UPSIDE-DOWN VIEW (int. dimensions)



INSIDE WALL DIMENSIONS



Coating (Int): Coating (Ext):	Seam Up: Tongue Seam Dn: n/a	Wall Thickness: 5" Floor Height: 6"	Height (Int): 42" Height (Ext): 48"	Weight (Net): 3932 lb Volume (Net): 1cu.yd
----------------------------------	---------------------------------	--	--	---