

Job Name: 25-0210 Salsa Square Development
 Job Location: Bowling Green, KY
 Contractor: Scott & Ritter, Inc.

Plant: 100

12/1/2025 12:19:40 PM

Tech: J. Horsley - A

PC: Celina Goff



Structure ID: A5

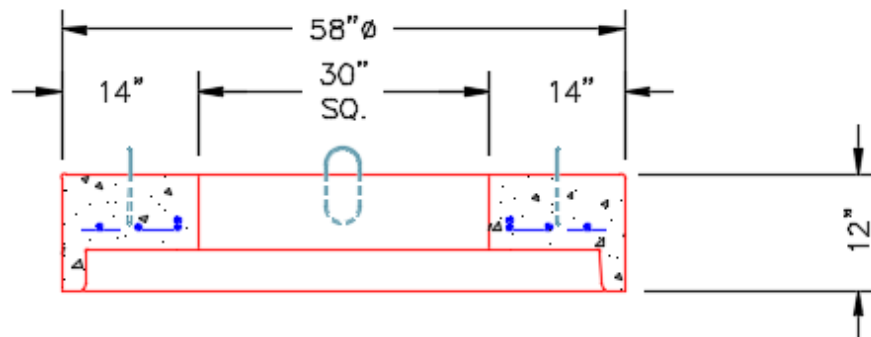
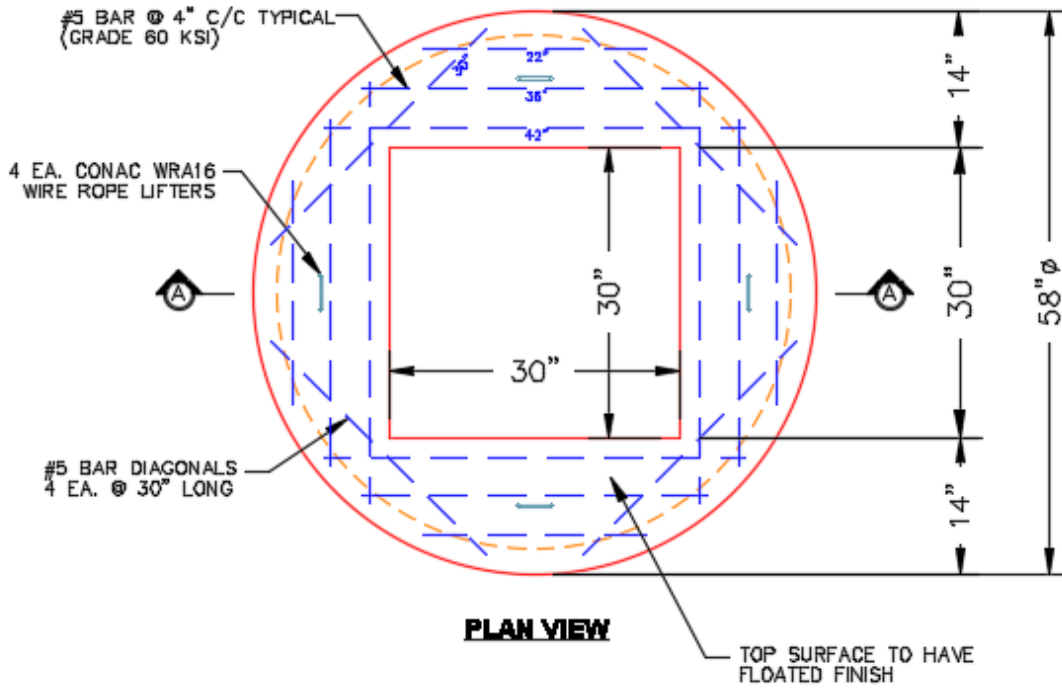
P3 MH048LD12S

MH FLAT TOP w/30"x30" Hole F/G

- P4) 30" x 30" - CASTING HEIGHT - 4"
- P3) 48" - MH FLAT TOP w/30"x30" Hole F/G - 12"
- P2) 48" - MH RISER Custom Ht T/G - 52"
- P1) 48" - MH BASE T/n - 48"
- 1) CASTING - HOE 468 F/G
- 2) 48" - Conseal CS-102 1.00"
- 1) 30" x 30" - Conseal CS-102 1.00"
- 1) Hole - 30
- 1) Hole - 24
- 1) Hole - 12
- 8) MH Step ML-10-TDS-NCR - 10"

0 lb
 1350 lb
 3585 lb
 4170 lb
 489 lb
 0 lb
 0 lb
 0 lb
 0 lb
 0 lb
 0 lb
 Structure Total: 9594 lb

Structure Notes:
 PLAN LABEL: ST-A5
 1. HOE 468 F/G PROVIDED BY ICAST.
 2. PER ASTM C478 SPECIFICATIONS.
 3. CONCRETE = 4,000 PSI AT 28 DAYS.
 4. REINFORCING PER ASTM A615 (GRADE 60).
 - TOP SLAB (As .62) #5 BARS AT 6" C.C.E.W..
 - RISER/WALLS (As .12)
 - FLOOR (As .31) #5 BARS AT 12" C.C.E.W.
 5. PLEASE VERIFY THE REQUIRED I.E. OF THE 8" HDPE DOWNSPOUT PIPE. ASSUMED AS 529.00 IN THESE SUBMITTALS (5' BELOW WAREHOUSE SLAB FFE).



Coating (Int):
 Coating (Ext):

Seam Up: Flat
 Seam Dn: Groove

Wall Thickness: 5"

Height (Ext): 12"

Weight (Net): 1350 lb
 Volume (Net): 0.33cu.yd