

Job Name: 25-0210 Salsa Square Development
Job Location: Bowling Green, KY
Contractor: Scott & Ritter, Inc.

PC: Celina Goff
 TECH: J. Horsley - A
 Plant: 100



Structure ID: A4
 Spec: Storm
 Type: STM.MH
 Size: 48"

Rim: 533.15'
 Invert: 522.46'
 Rim to Invert: 10.69'

Sump: 1.9"
 Floor (Top): 522.302'
 Floor Height: 6"

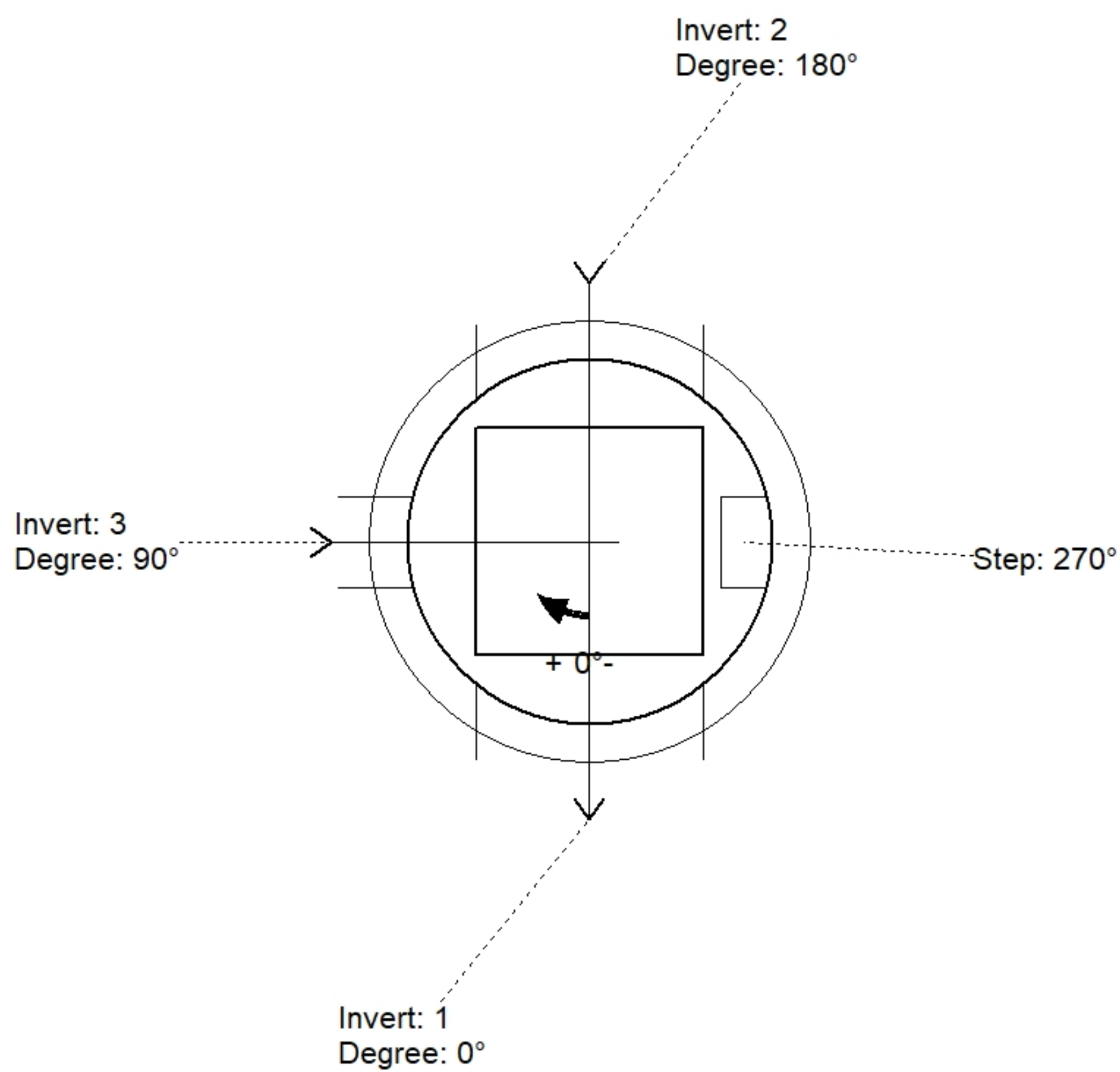
Floor (Bot): 521.802'
 Overall Height: 11.333'
 Slack: 0.18"

Structure Notes:

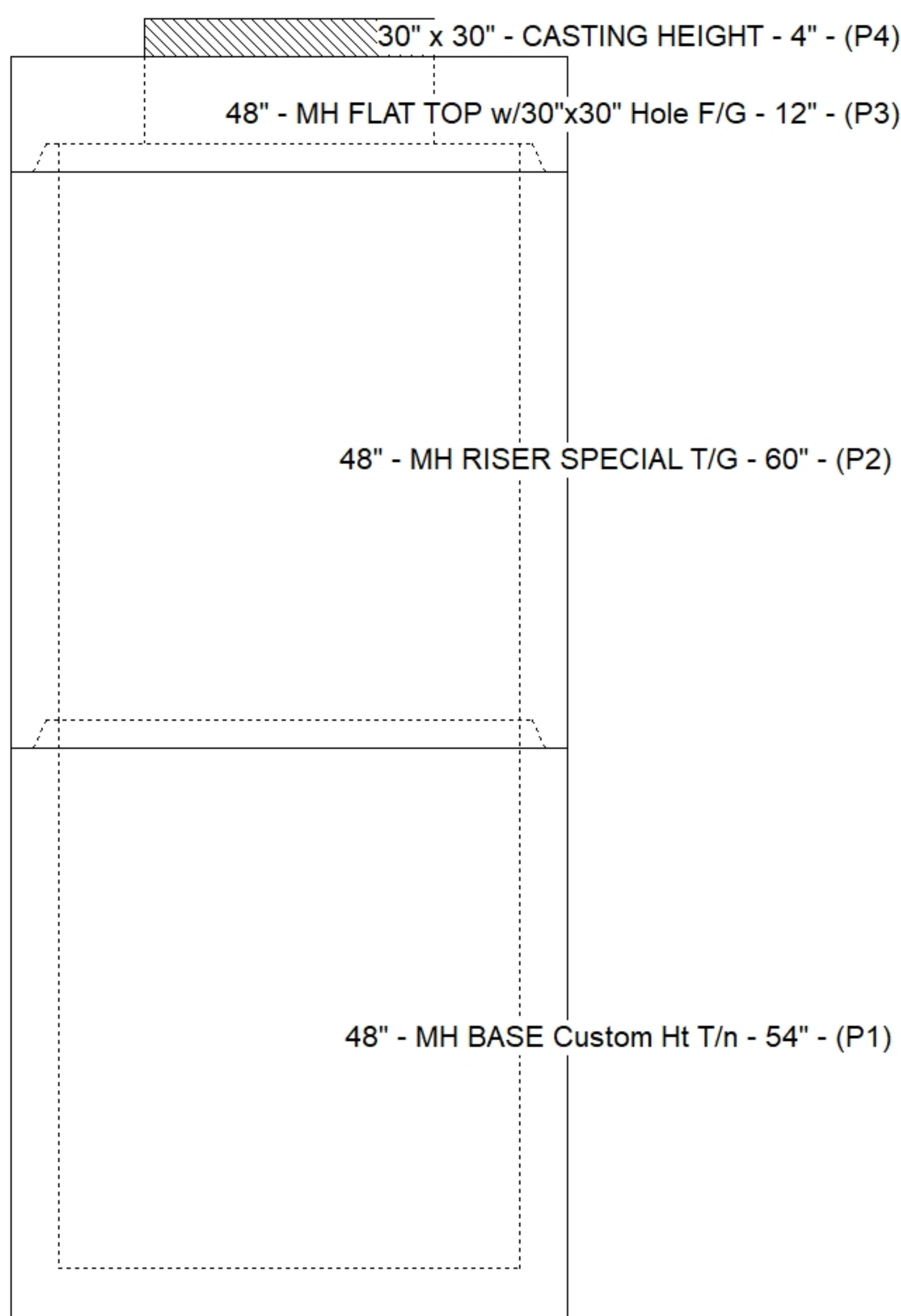
- PLAN LABEL: ST-A4
- HOE 468 F/G PROVIDED BY ICAST.
 - PER ASTM C478 SPECIFICATIONS.
 - CONCRETE = 4,000 PSI AT 28 DAYS.
 - REINFORCING PER ASTM A615 (GRADE 60).
 - TOP SLAB (As .62) #5 BARS AT 6" C.C.E.W..
 - RISER/WALLS (As .12)
 - FLOOR (As .31) #5 BARS AT 12" C.C.E.W.
 - PLEASE VERIFY THE REQUIRED I.E. OF THE 8" HDPE DOWNSPOUT PIPE. ASSUMED AS 529.00 IN THESE SUBMITTALS (5' BELOW WAREHOUSE SLAB FFE).

STRUCTURE SUMMARY:

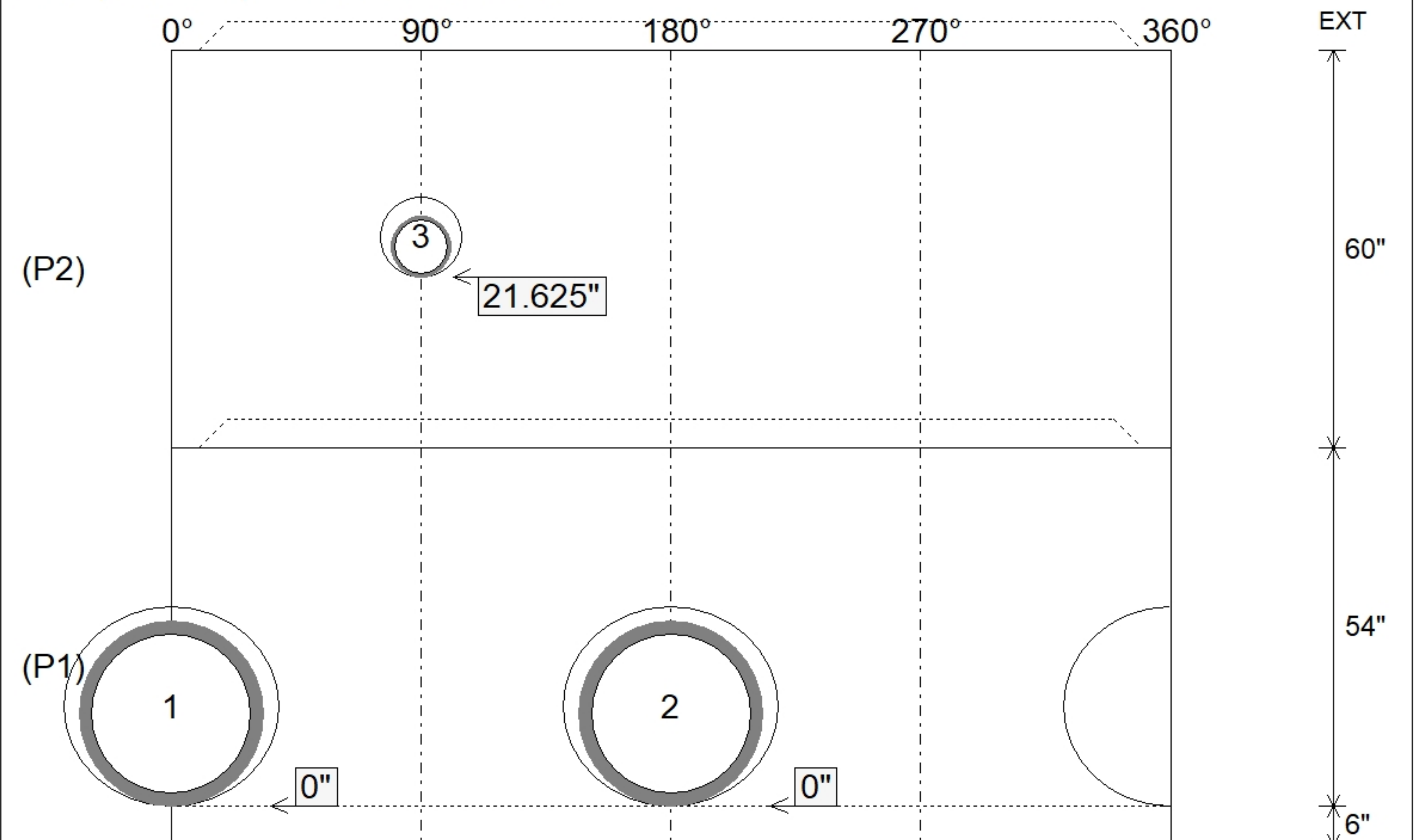
P4) 30" x 30" - CASTING HEIGHT - 4"	0 lb
P3) 48" - MH FLAT TOP w/30"x30" Hole F/G - 12"	1350 lb
P2) 48" - MH RISER SPECIAL T/G - 60"	4144 lb
P1) 48" - MH BASE Custom Ht T/n - 54"	4471 lb
1) CASTING - HOE 468 F/G	489 lb
2) 48" - Conseal CS-102 1.00"	0 lb
1) 30" x 30" - Conseal CS-102 1.00"	0 lb
2) Hole - 30	0 lb
1) Hole - 12	0 lb
9) MH Step ML-10-TDS-NCR - 10"	0 lb
Structure Total:	10453 lb



Position	Elev	Angle	Pipe	Pipe OD	Hole	Connector	Up (")	Ref
Rim	533.15'							
Reducer								
Invert 1	522.46'	0°	24" HDPE	27.8"	30"	Hole 30	0"	P1
Invert 2	522.46'	180°	24" HDPE	27.8"	30"	Hole 30	0"	P1
Invert 3	529'	90°	8" HDPE	9.1"	12"	Hole 12	21.625"	P2
Invert 4								
Invert 5								
Invert 6								
Invert 7								
Invert 8								



Cast (Int. Dim.) - Interior Dimensions



Submittal Drawing
 12/1/2025 9:51:59 AM

SUBMITTAL
 APPROVED BY: