

Structure ID: A4

P2 MH048RS60S

MH RISER SPECIAL T/G

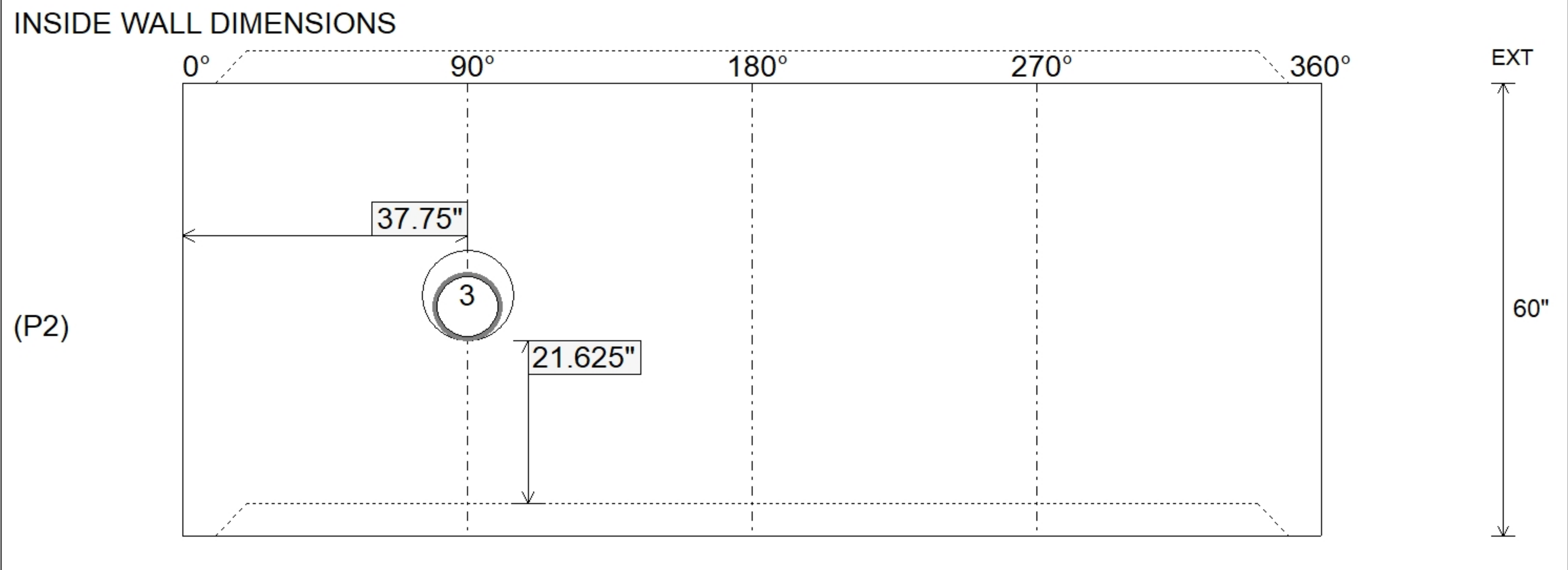
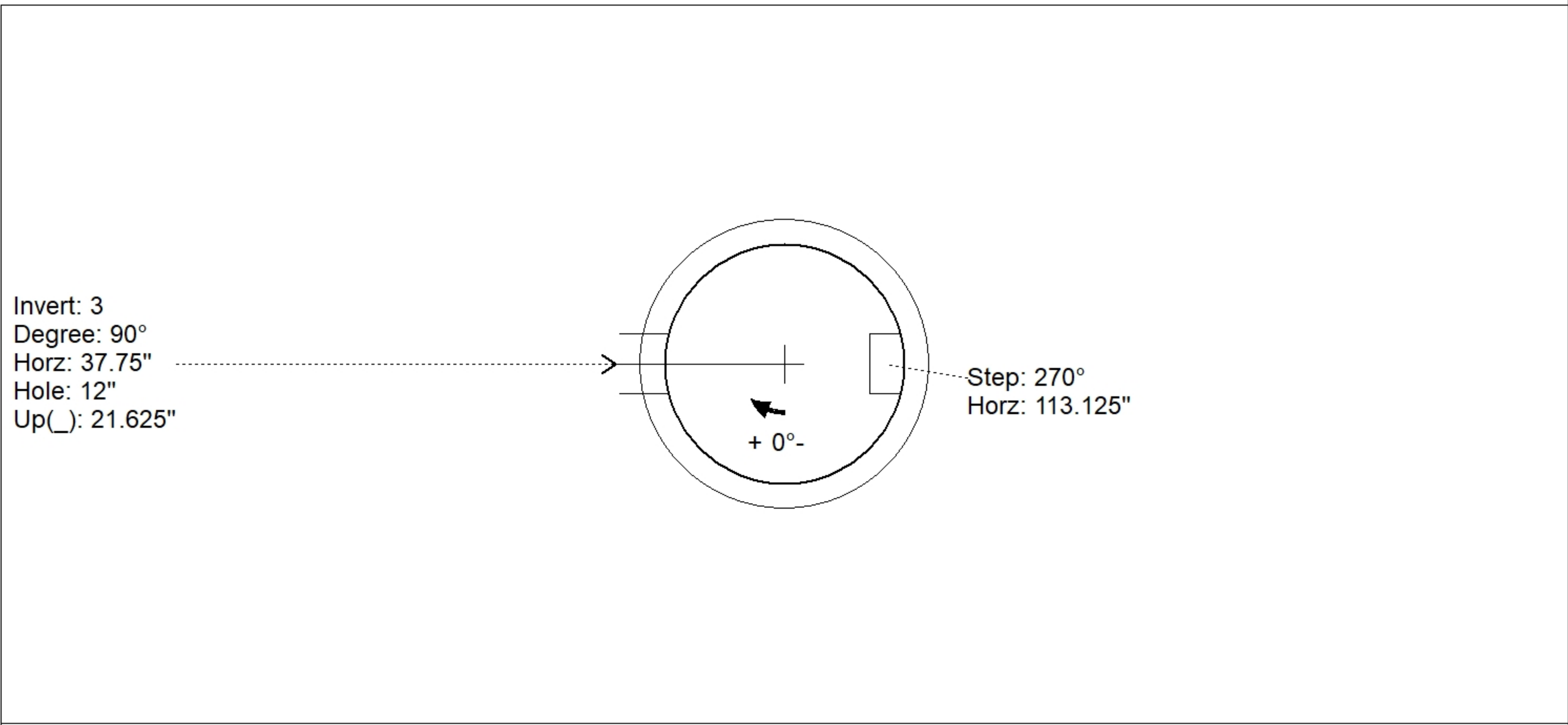
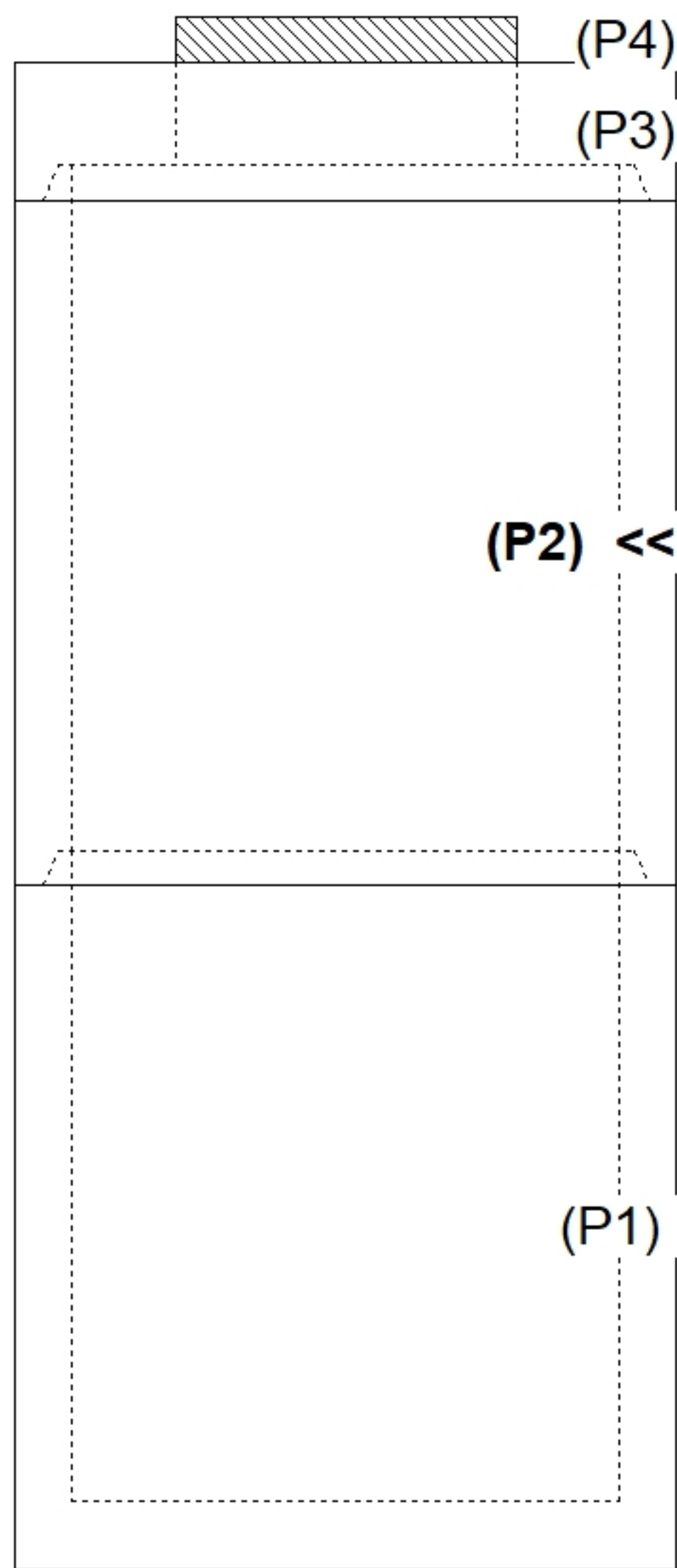
P4) 30" x 30" - CASTING HEIGHT - 4" P3) 48" - MH FLAT TOP w/30"x30" Hole F/G - 12" P2) 48" - MH RISER SPECIAL T/G - 60" P1) 48" - MH BASE Custom Ht T/n - 54" 1) CASTING - HOE 468 F/G 2) 48" - Conseal CS-102 1.00" 1) 30" x 30" - Conseal CS-102 1.00" 2) Hole - 30 1) Hole - 12 9) MH Step ML-10-TDS-NCR - 10"	0 lb 1350 lb 4144 lb 4471 lb 489 lb 0 lb 0 lb 0 lb 0 lb 0 lb 0 lb ----- Structure Total: 10453 lb
--	---

Structure Notes:
 PLAN LABEL: ST-A4
 1. HOE 468 F/G PROVIDED BY ICAST.
 2. PER ASTM C478 SPECIFICATIONS.
 3. CONCRETE = 4,000 PSI AT 28 DAYS.
 4. REINFORCING PER ASTM A615 (GRADE 60).
 - TOP SLAB (As .62) #5 BARS AT 6" C.C.E.W..
 - RISER/WALLS (As .12)
 - FLOOR (As .31) #5 BARS AT 12" C.C.E.W.
 5. PLEASE VERIFY THE REQUIRED I.E. OF THE 8" HDPE DOWNSPOUT PIPE. ASSUMED AS 529.00 IN THESE SUBMITTALS (5' BELOW WAREHOUSE SLAB FFE).

Rim: 533.15' Rim to Invert: 10.69' Slack: 0.18" Sump: 1.9" Step Position: 0°

Position	Elev	Angle	Ext. (cw)	Pipe	Pipe OD	Connector	Hole	Horz Size	Up (⌋)	Offset
Invert 1										
Invert 2										
Invert 3	529'	90°	45.5"	8" HDPE	9.1"	Hole 12	12"	12.129"	21.625"	0"
Invert 4										
Invert 5										
Invert 6										
Invert 7										
Invert 8										

RIGHT-SIDE UP VIEW (int. dimensions)



Coating (Int):	Seam Up: Tongue Seam Dn: Groove	Wall Thickness: 5" Floor Height: 0"	Height (Int): 60" Height (Ext): 60"
Coating (Ext):			Weight (Net): 4144 lb Volume (Net): 1.06cu.yd