

Structure ID: A4

P1 MH048BA54

MH BASE Custom Ht T/n

P4) 30" x 30" - CASTING HEIGHT - 4"	0 lb
P3) 48" - MH FLAT TOP w/30"x30" Hole F/G - 12"	1350 lb
P2) 48" - MH RISER SPECIAL T/G - 60"	4144 lb
P1) 48" - MH BASE Custom Ht T/n - 54"	4471 lb
1) CASTING - HOE 468 F/G	489 lb
2) 48" - Conseal CS-102 1.00"	0 lb
1) 30" x 30" - Conseal CS-102 1.00"	0 lb
2) Hole - 30	0 lb
1) Hole - 12	0 lb
9) MH Step ML-10-TDS-NCR - 10"	0 lb
Structure Total:	10453 lb

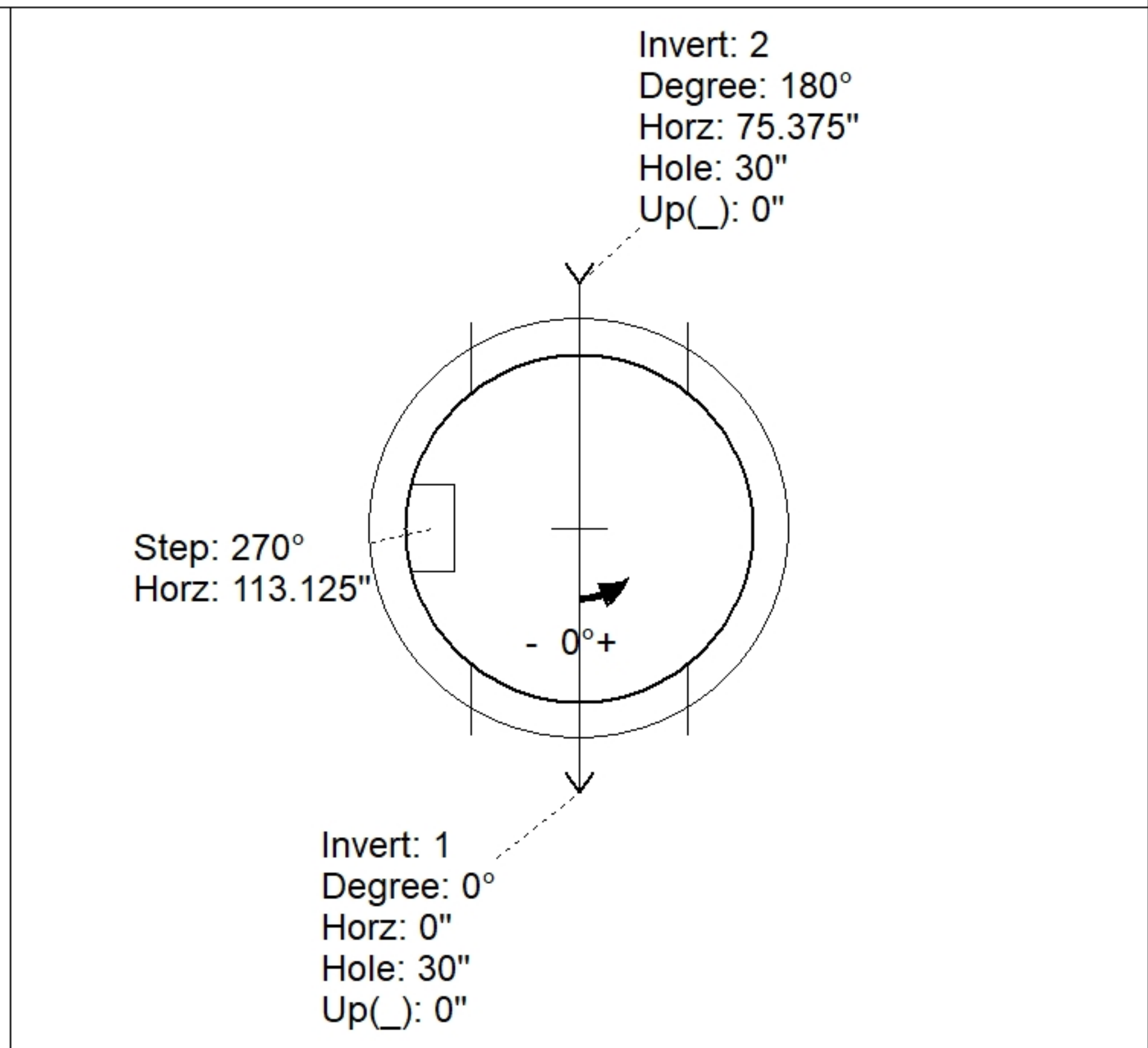
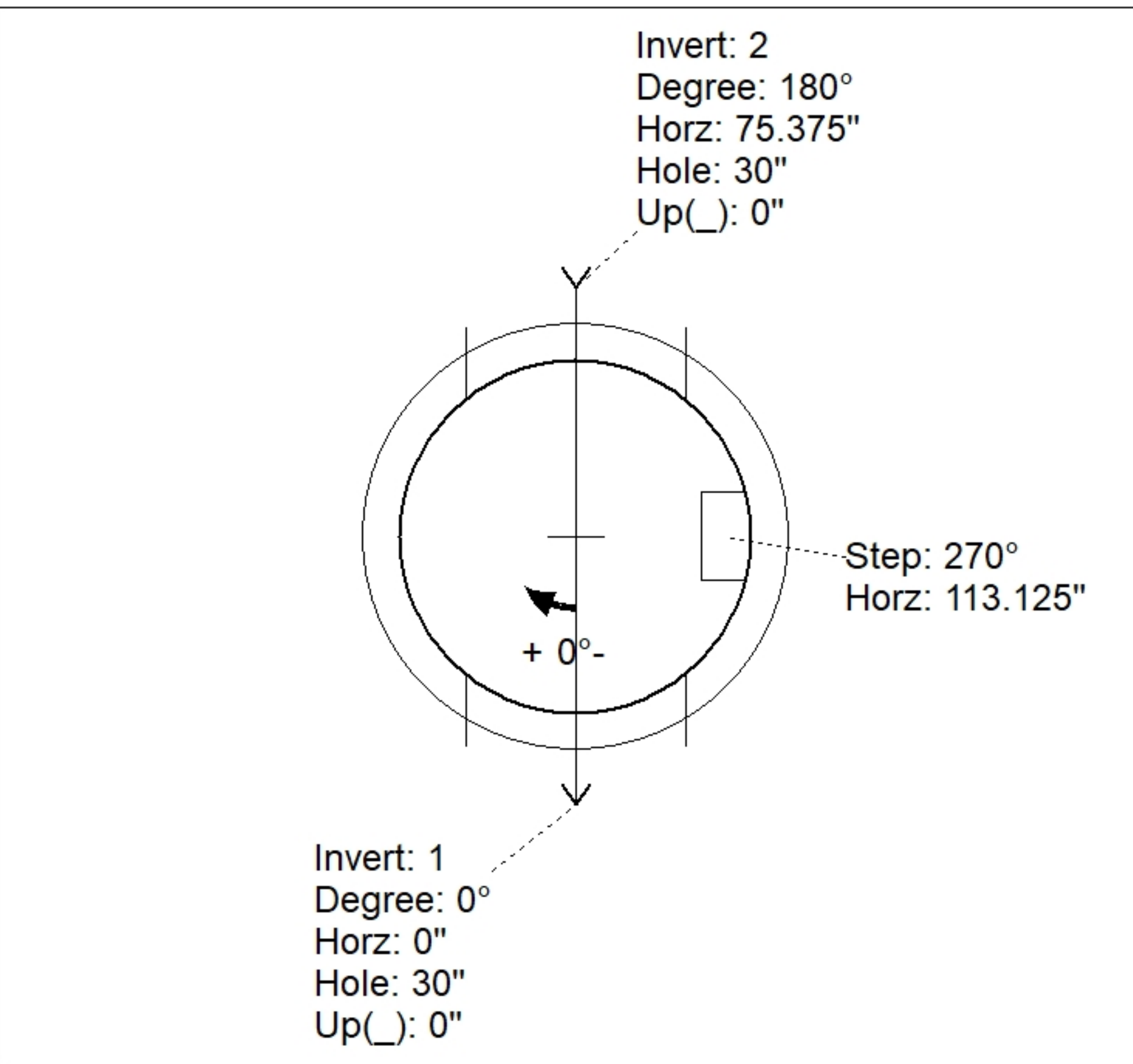
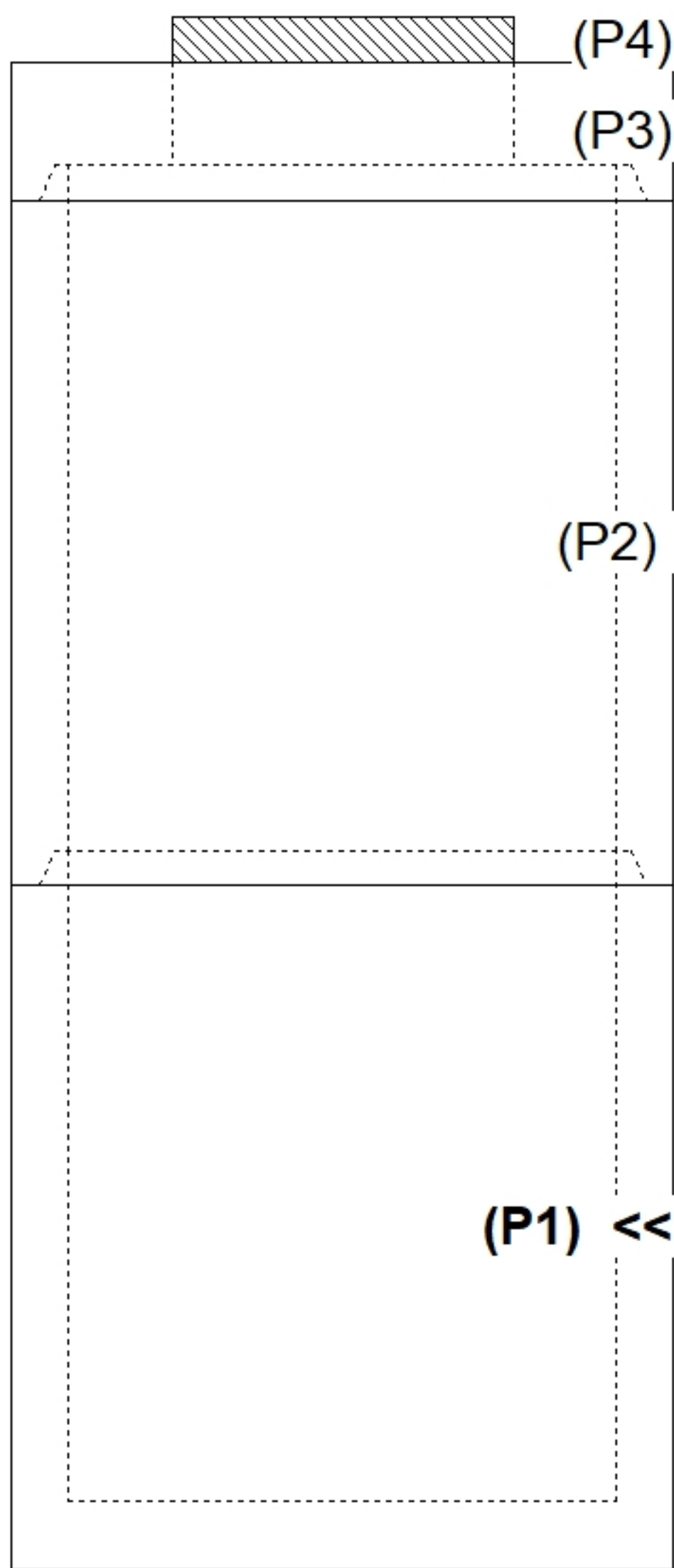
Structure Notes:
 PLAN LABEL: ST-A4
 1. HOE 468 F/G PROVIDED BY ICAST.
 2. PER ASTM C478 SPECIFICATIONS.
 3. CONCRETE = 4,000 PSI AT 28 DAYS.
 4. REINFORCING PER ASTM A615 (GRADE 60).
 - TOP SLAB (As .62) #5 BARS AT 6" C.C.E.W..
 - RISER/WALLS (As .12)
 - FLOOR (As .31) #5 BARS AT 12" C.C.E.W.
 5. PLEASE VERIFY THE REQUIRED I.E. OF THE 8" HDPE DOWNSPOUT PIPE. ASSUMED AS 529.00 IN THESE SUBMITTALS (5' BELOW WAREHOUSE SLAB FFE).

Rim: 533.15' Rim to Invert: 10.69' Slack: 0.18" Sump: 1.9" Step Position: 0°

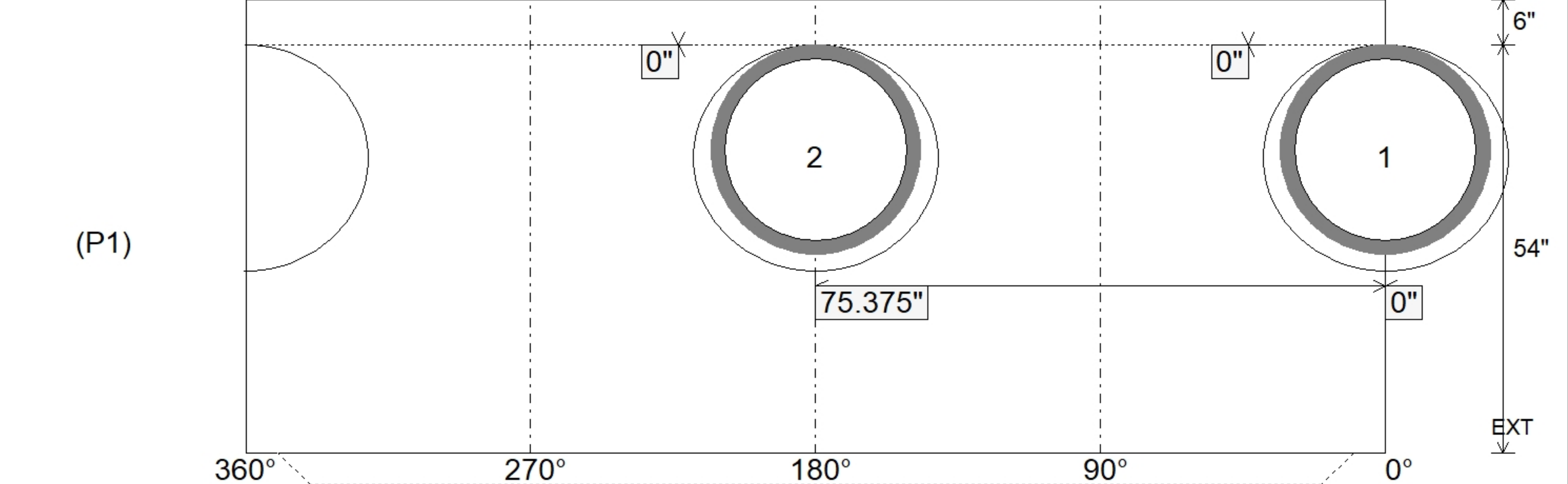
Position	Elev	Angle	Ext. (cw)	Pipe	Pipe OD	Connector	Hole	Horz Size	Up ()	Offset
Invert 1	522.46'	0°	0"	24" HDPE	27.8"	Hole 30	30"	32.406"	0"	0"
Invert 2	522.46'	180°	91.125"	24" HDPE	27.8"	Hole 30	30"	32.406"	0"	0"
Invert 3										
Invert 4										
Invert 5										
Invert 6										
Invert 7										
Invert 8										

RIGHT-SIDE UP VIEW (int. dimensions)

UPSIDE-DOWN VIEW (int. dimensions)



INSIDE WALL DIMENSIONS



Coating (Int):	Seam Up: Tongue	Wall Thickness: 5"	Height (Int): 54"
Coating (Ext):	Seam Dn: n/a	Floor Height: 6"	Height (Ext): 60"
			Weight (Net): 4471 lb
			Volume (Net): 1.14cu.yd