

**Job Name: 25-0210 Salsa Square Development**  
**Job Location: Bowling Green, KY**  
**Contractor: Scott & Ritter, Inc.**

PC: Celina Goff  
 TECH: J. Horsley - A  
 Plant: 100



Structure ID: A3  
 Spec: Storm  
 Type: STM.MH  
 Size: 48"

Rim: 533.03'  
 Invert: 521.18'  
 Rim to Invert: 11.85'

Sump: 1.9"  
 Floor (Top): 521.022'  
 Floor Height: 6"

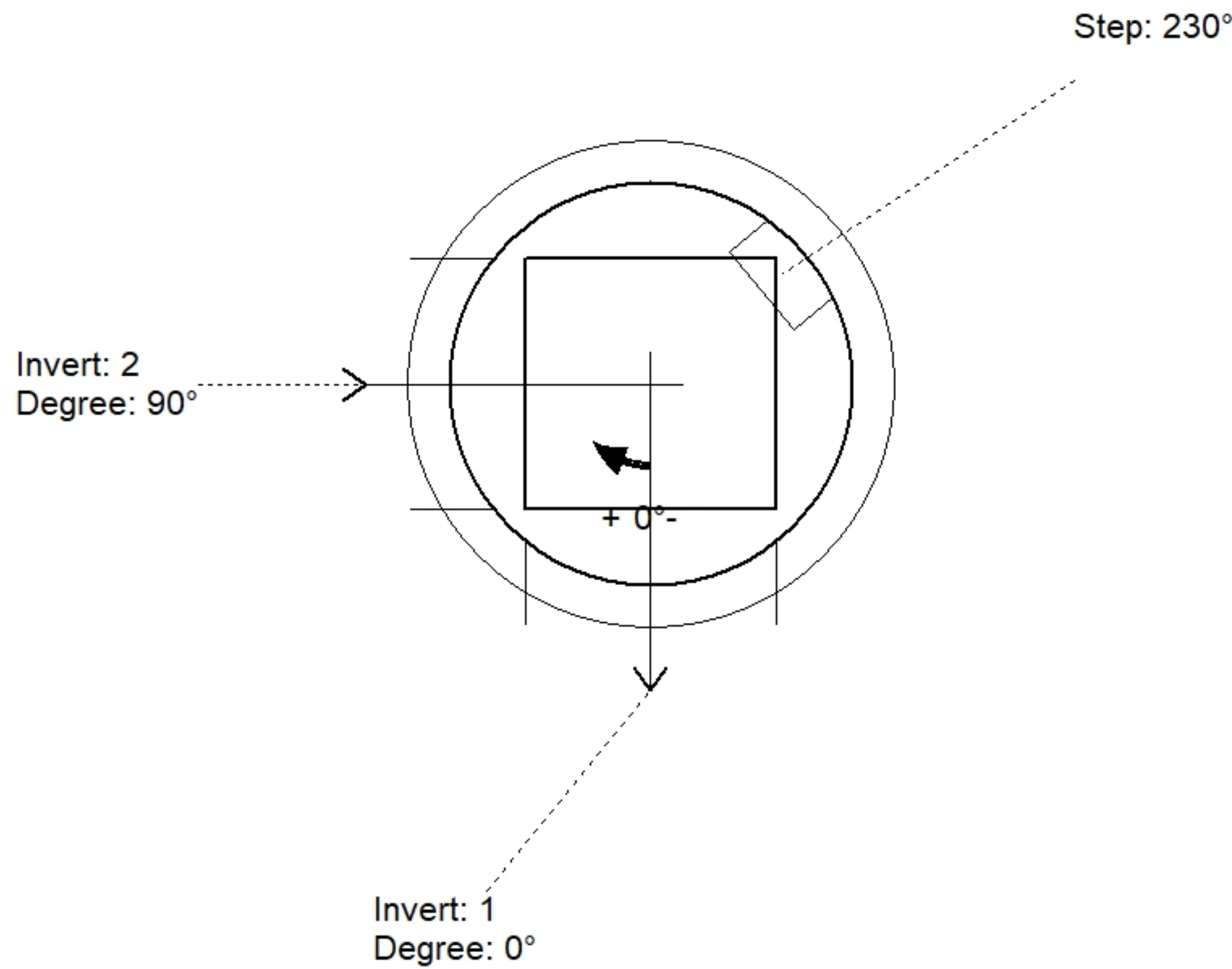
Floor (Bot): 520.522'  
 Overall Height: 12.5'  
 Slack: 0.1"

**Structure Notes:**

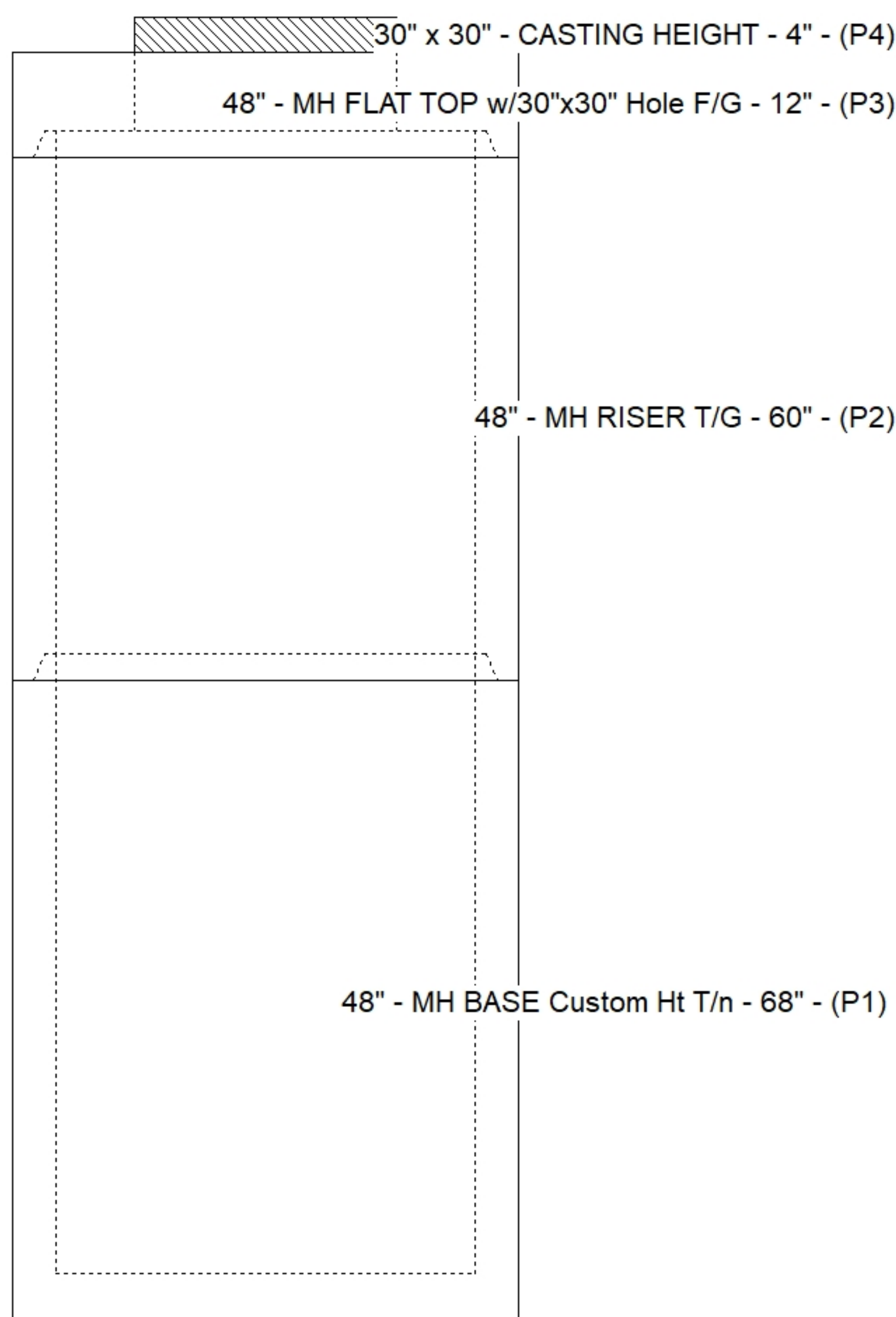
- PLAN LABEL: ST-A3
1. HOE 468 F/G PROVIDED BY ICAST.
  2. PER ASTM C478 SPECIFICATIONS.
  3. CONCRETE = 4,000 PSI AT 28 DAYS.
  4. REINFORCING PER ASTM A615 (GRADE 60).
    - TOP SLAB (As .62) #5 BARS AT 6" C.C.E.W..
    - RISER/WALLS (As .12)
    - FLOOR (As .31) #5 BARS AT 12" C.C.E.W.

**STRUCTURE SUMMARY:**

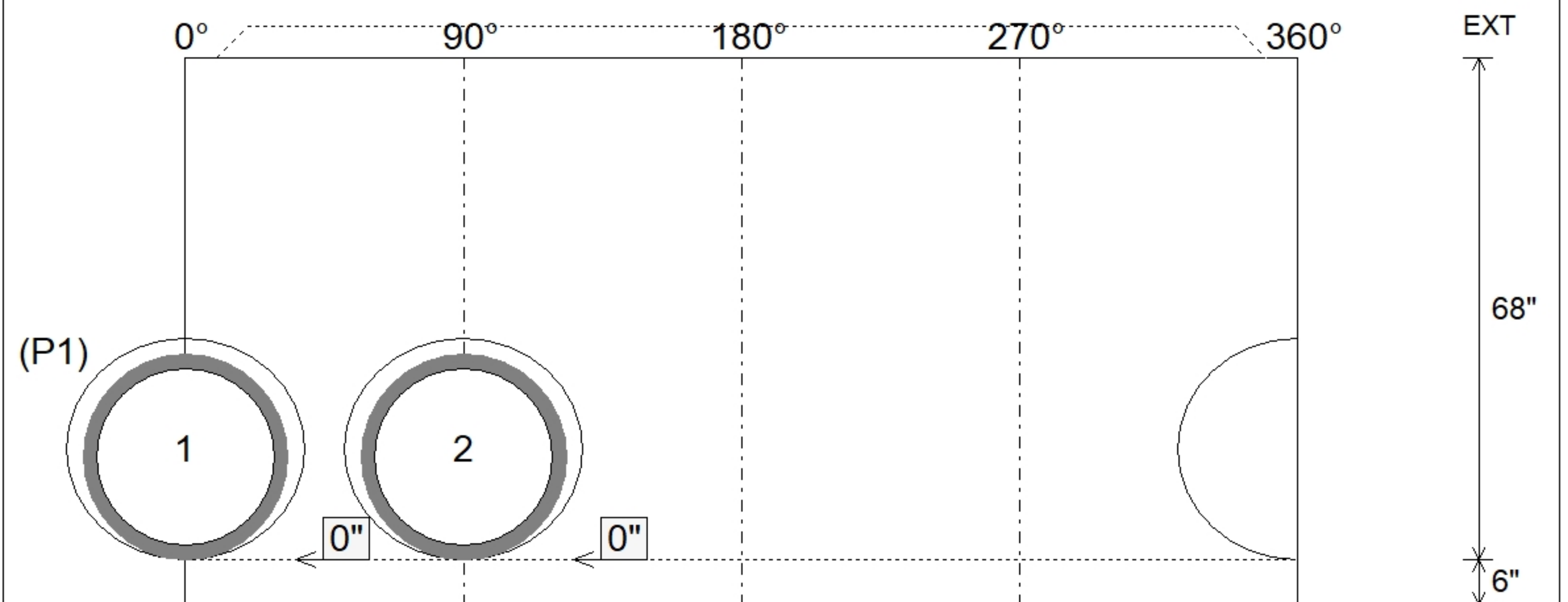
P4) 30" x 30" - CASTING HEIGHT - 4"	0 lb
P3) 48" - MH FLAT TOP w/30"x30" Hole F/G - 12"	1350 lb
P2) 48" - MH RISER T/G - 60"	4192 lb
P1) 48" - MH BASE Custom Ht T/n - 68"	5449 lb
1) CASTING - HOE 468 F/G	489 lb
2) 48" - Con Seal CS-102 1.00"	0 lb
1) 30" x 30" - Con Seal CS-102 1.00"	0 lb
2) Hole - 30	0 lb
11) MH Step ML-10-TDS-NCR - 10"	0 lb
<b>Structure Total:</b>	<b>11479 lb</b>



Position	Elev	Angle	Pipe	Pipe OD	Hole	Connector	Up ( )	Ref
Rim	533.03'							
Reducer								
Invert 1	521.18'	0°	24" HDPE	27.8"	30"	Hole 30	0"	P1
Invert 2	521.18'	90°	24" HDPE	27.8"	30"	Hole 30	0"	P1
Invert 3								
Invert 4								
Invert 5								
Invert 6								
Invert 7								
Invert 8								



**Cast (Int. Dim.) - Interior Dimensions**



Submittal Drawing  
 12/1/2025 9:51:58 AM

SUBMITTAL  
 APPROVED BY: