

Structure ID: A3

P1 MH048BAVF

MH BASE Custom Ht T/n

P4) 30" x 30" - CASTING HEIGHT - 4" P3) 48" - MH FLAT TOP w/30"x30" Hole F/G - 12" P2) 48" - MH RISER T/G - 60" P1) 48" - MH BASE Custom Ht T/n - 68" 1) CASTING - HOE 468 F/G 2) 48" - Conseal CS-102 1.00" 1) 30" x 30" - Conseal CS-102 1.00" 2) Hole - 30 11) MH Step ML-10-TDS-NCR - 10"	0 lb 1350 lb 4192 lb 5449 lb 489 lb 0 lb 0 lb 0 lb 0 lb 0 lb ----- 11479 lb	Structure Notes: PLAN LABEL: ST-A3 1. HOE 468 F/G PROVIDED BY ICAST. 2. PER ASTM C478 SPECIFICATIONS. 3. CONCRETE = 4,000 PSI AT 28 DAYS. 4. REINFORCING PER ASTM A615 (GRADE 60). - TOP SLAB (As .62) #5 BARS AT 6" C.C.E.W.. - RISER/WALLS (As .12) - FLOOR (As .31) #5 BARS AT 12" C.C.E.W.
---	--	---

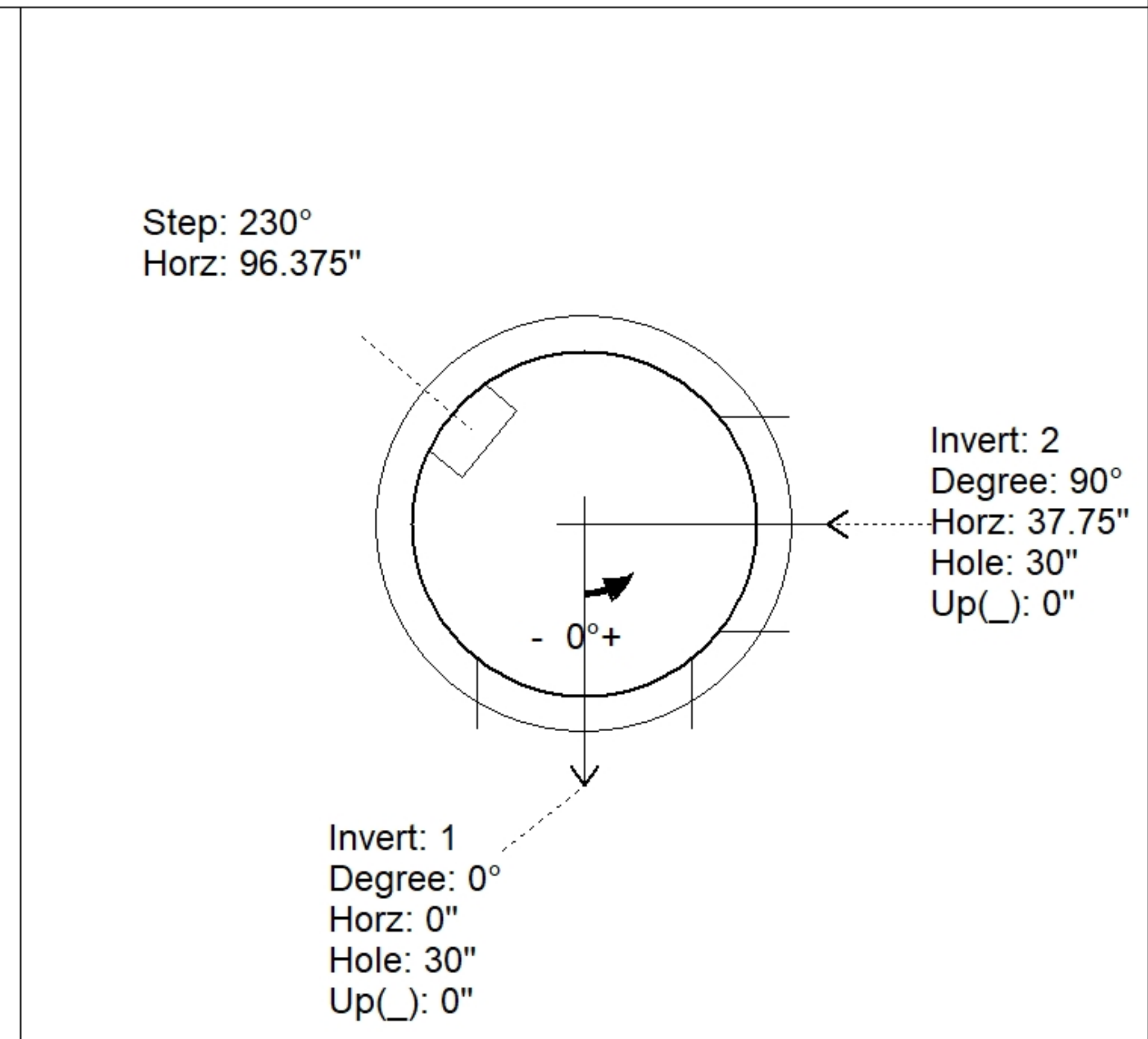
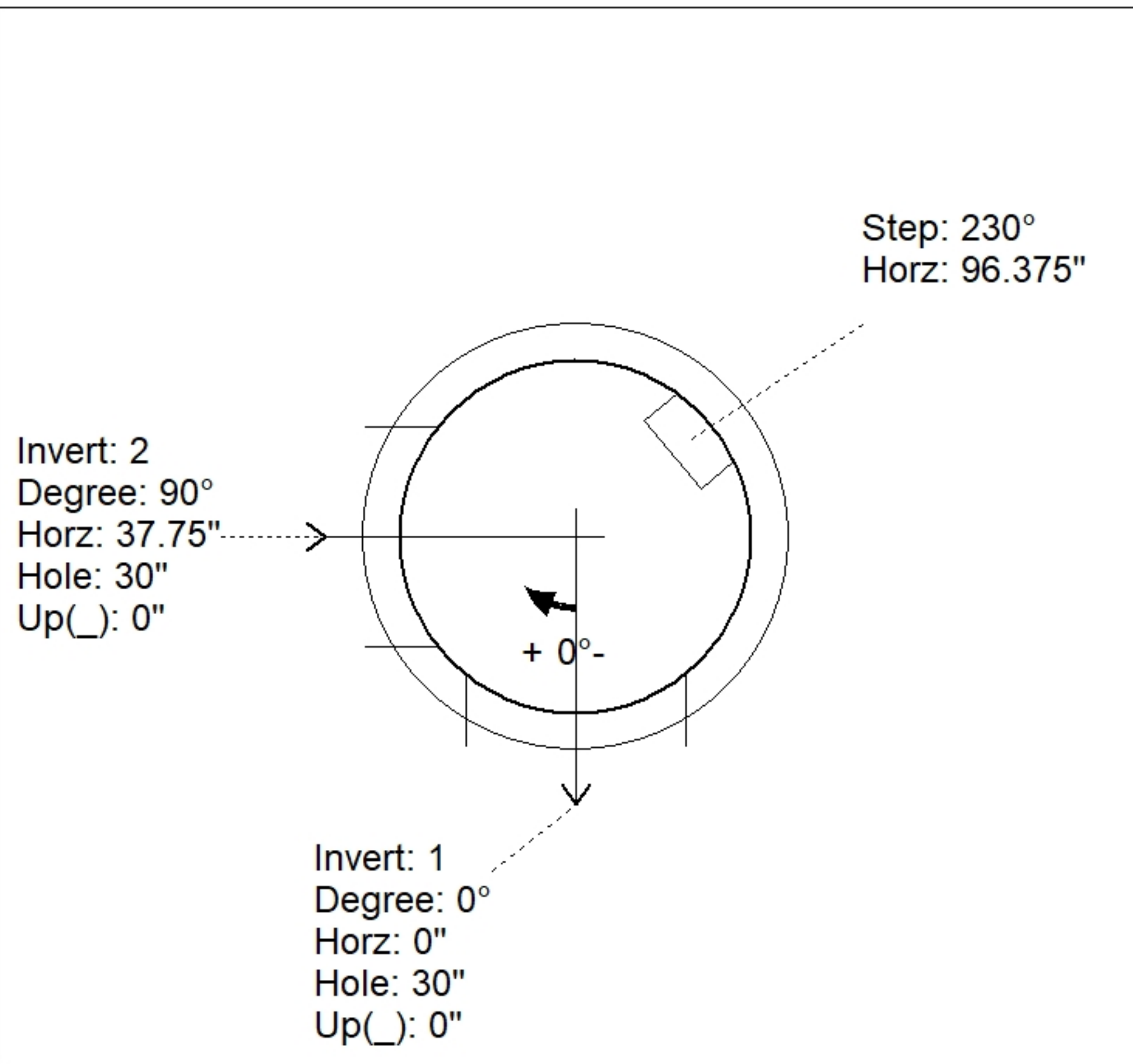
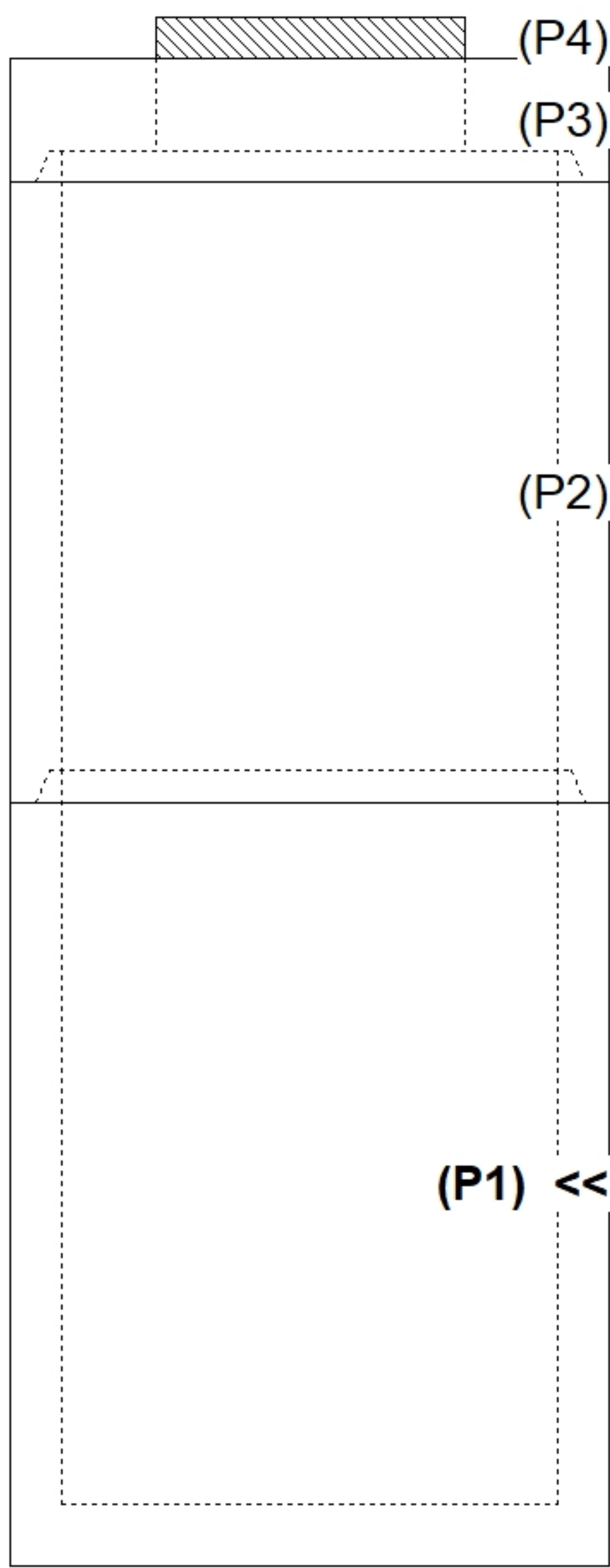
Structure Total: 11479 lb

Rim: 533.03' Rim to Invert: 11.85' Slack: 0.1" Sump: 1.9" Step Position: 0°

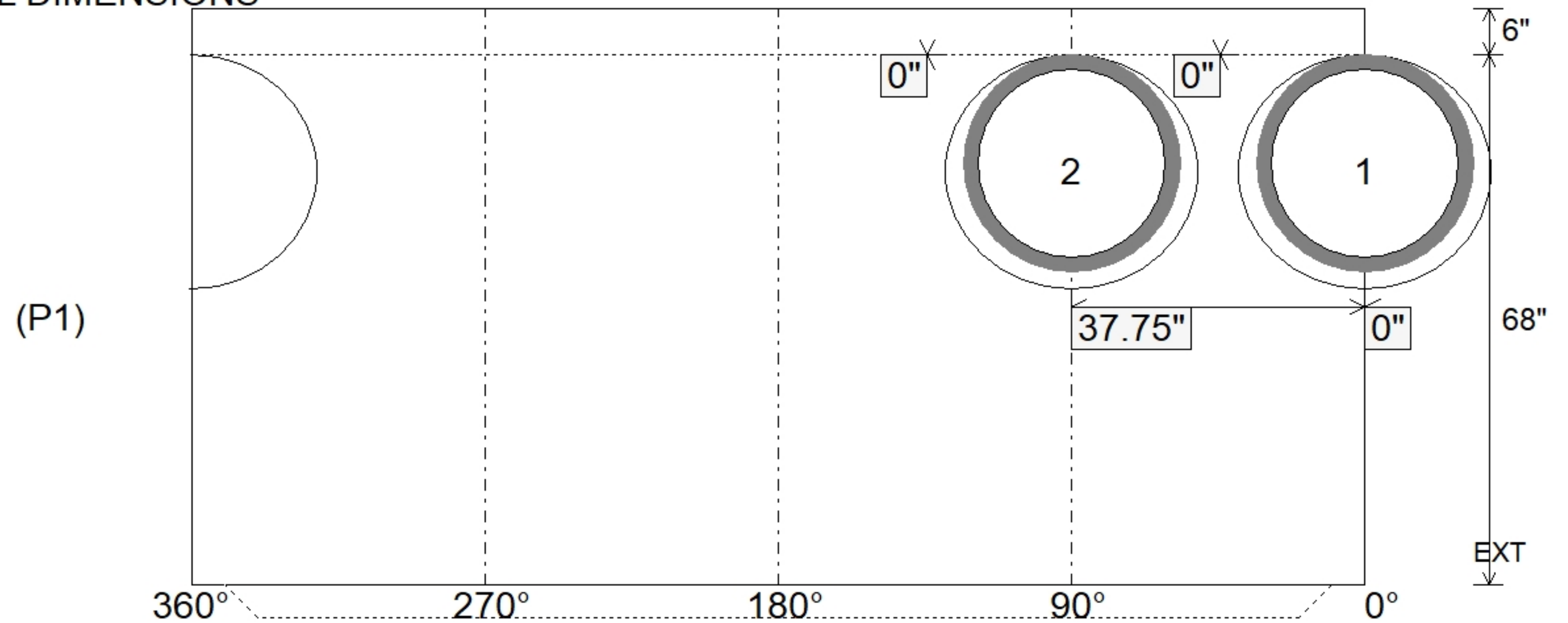
Position	Elev	Angle	Ext. (cw)	Pipe	Pipe OD	Connector	Hole	Horz Size	Up ()	Offset
Invert 1	521.18'	0°	0"	24" HDPE	27.8"	Hole 30	30"	32.406"	0"	0"
Invert 2	521.18'	90°	45.5"	24" HDPE	27.8"	Hole 30	30"	32.406"	0"	0"
Invert 3										
Invert 4										
Invert 5										
Invert 6										
Invert 7										
Invert 8										

RIGHT-SIDE UP VIEW (int. dimensions)

UPSIDE-DOWN VIEW (int. dimensions)



INSIDE WALL DIMENSIONS



Coating (Int):	Seam Up: Tongue	Wall Thickness: 5"	Height (Int): 68"
Coating (Ext):	Seam Dn: n/a	Floor Height: 6"	Height (Ext): 74"
			Weight (Net): 5449 lb
			Volume (Net): 1.39cu.yd