

**Structure ID: A2**

**P1 MH048BA72**

**MH BASE T/n**

P4) 30" x 30" - CASTING HEIGHT - 4" P3) 48" - MH FLAT TOP w/30"x30" Hole F/G - 12" P2) 48" - MH RISER T/G - 72" P1) 48" - MH BASE T/n - 72" 1) CASTING - HOE 468 F/G 2) 48" - Conseal CS-102 1.00" 1) 30" x 30" - Conseal CS-102 1.00" 2) Hole - 30 12) MH Step ML-10-TDS-NCR - 10"	0 lb 1350 lb 5030 lb 5728 lb 489 lb 0 lb 0 lb 0 lb 0 lb 0 lb ----- 12597 lb	<b>Structure Notes:</b> PLAN LABEL: ST-A2 1. HOE 468 F/G PROVIDED BY ICAST. 2. PER ASTM C478 SPECIFICATIONS. 3. CONCRETE = 4,000 PSI AT 28 DAYS. 4. REINFORCING PER ASTM A615 (GRADE 60). - TOP SLAB (As .62) #5 BARS AT 6" C.C.E.W.. - RISER/WALLS (As .12) - FLOOR (As .31) #5 BARS AT 12" C.C.E.W.
---	--	---

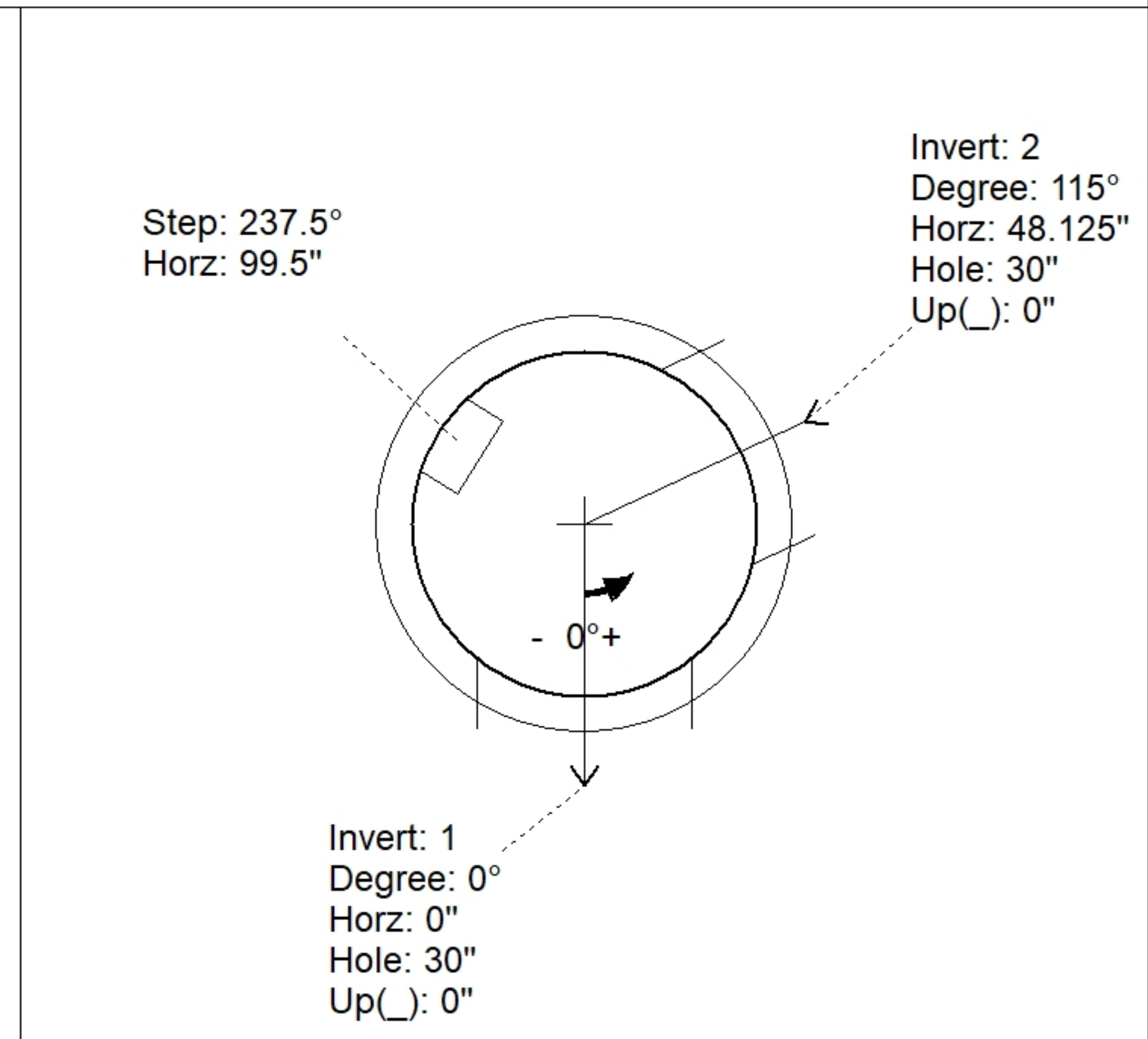
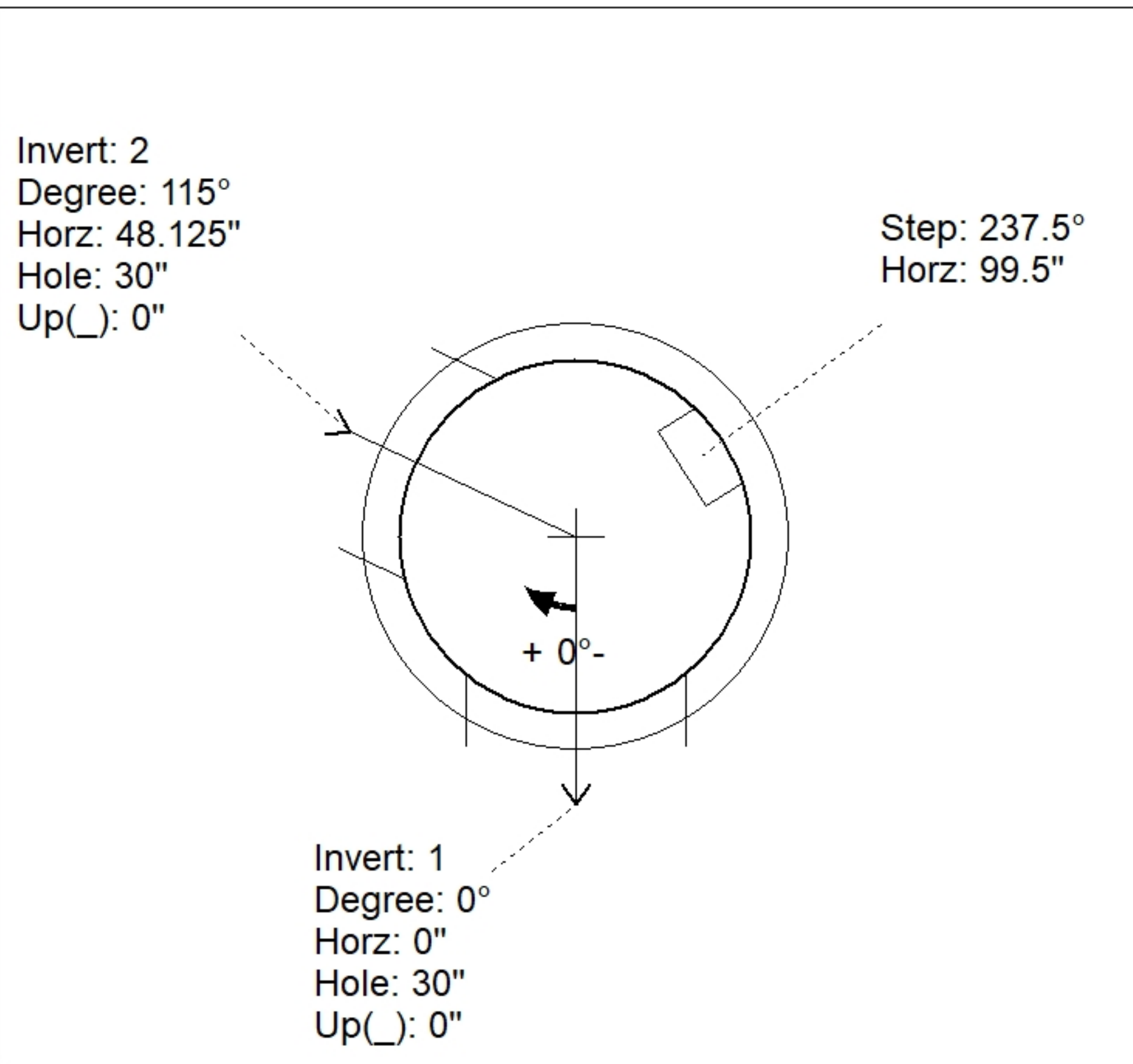
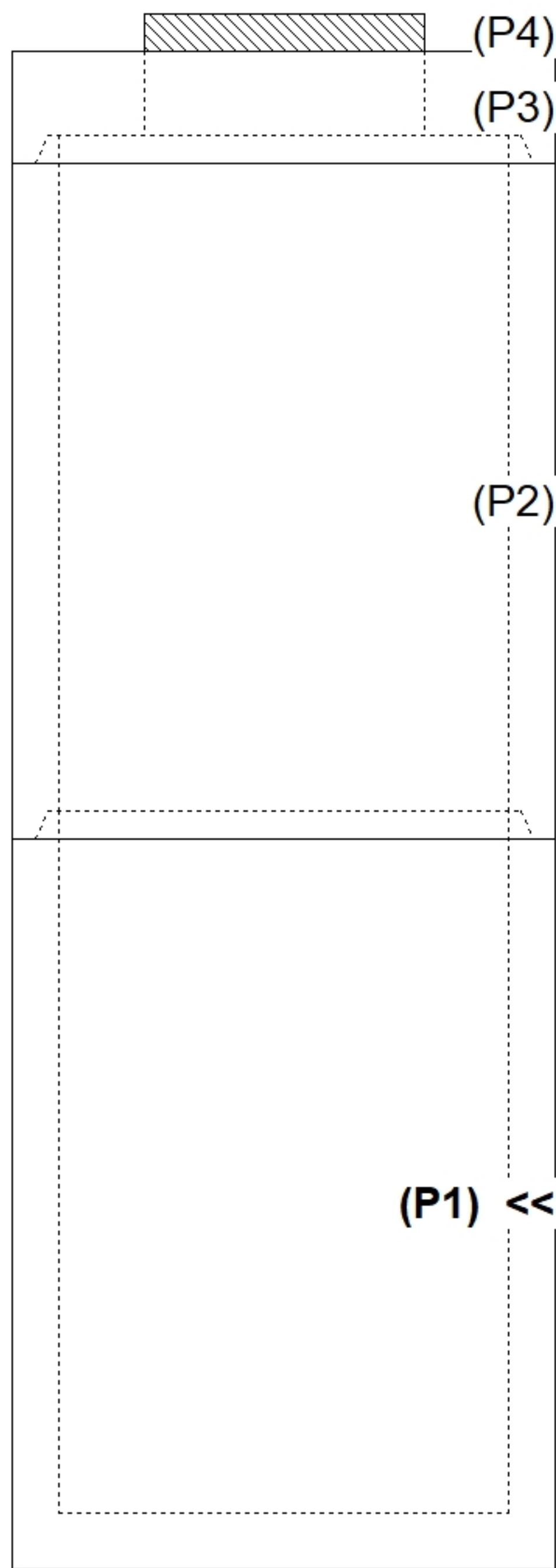
Structure Total: 12597 lb

Rim: 533.12'    Rim to Invert: 13.2'    Slack: 0.3"    Sump: 1.9"    Step Position: 237.5°

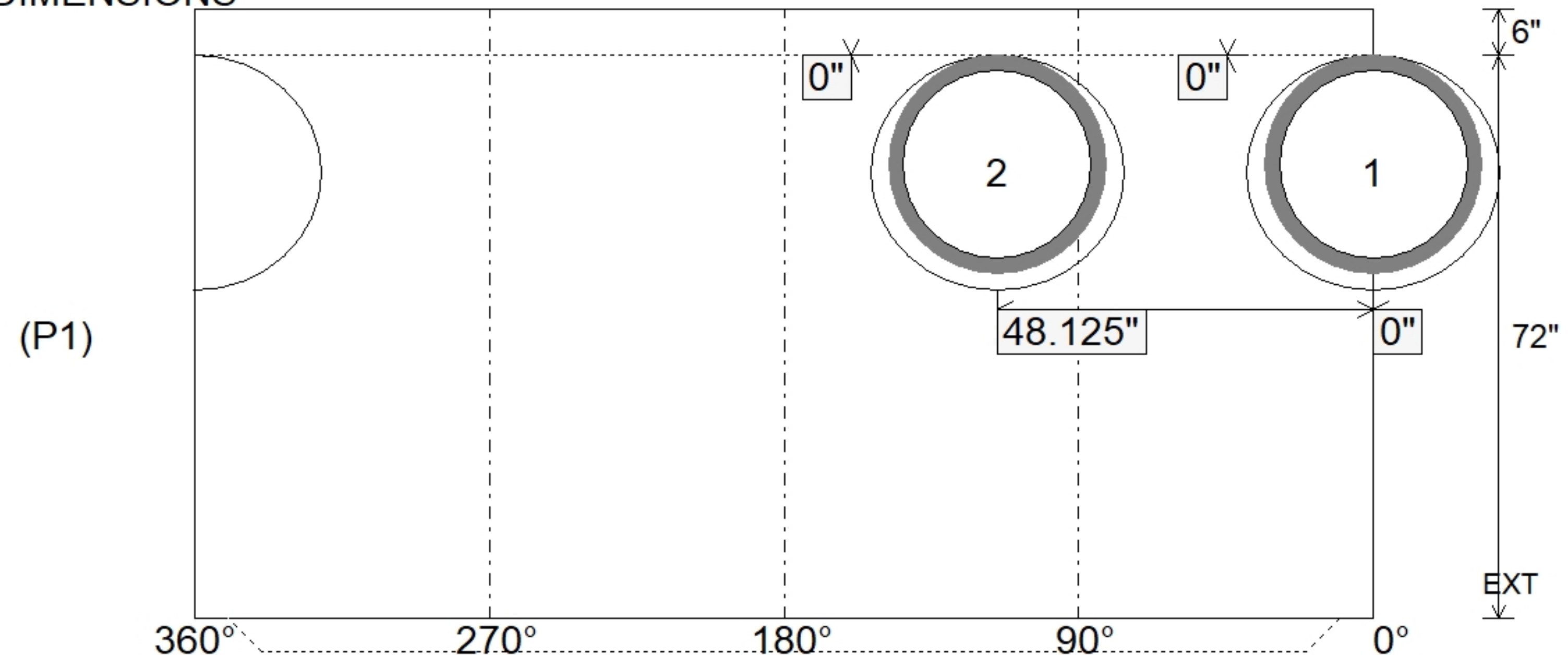
Position	Elev	Angle	Ext. (cw)	Pipe	Pipe OD	Connector	Hole	Horz Size	Up ( )	Offset
Invert 1	519.92'	0°	0"	24" HDPE	27.8"	Hole 30	30"	32.406"	0"	0"
Invert 2	519.92'	115°	58.25"	24" HDPE	27.8"	Hole 30	30"	32.406"	0"	0"
Invert 3										
Invert 4										
Invert 5										
Invert 6										
Invert 7										
Invert 8										

RIGHT-SIDE UP VIEW (int. dimensions)

UPSIDE-DOWN VIEW (int. dimensions)



INSIDE WALL DIMENSIONS



Coating (Int): Coating (Ext):	Seam Up: Tongue Seam Dn: n/a	Wall Thickness: 5" Floor Height: 6"	Height (Int): 72" Height (Ext): 78"	Weight (Net): 5728 lb Volume (Net): 1.46cu.yd
----------------------------------	---------------------------------	--	--	--