



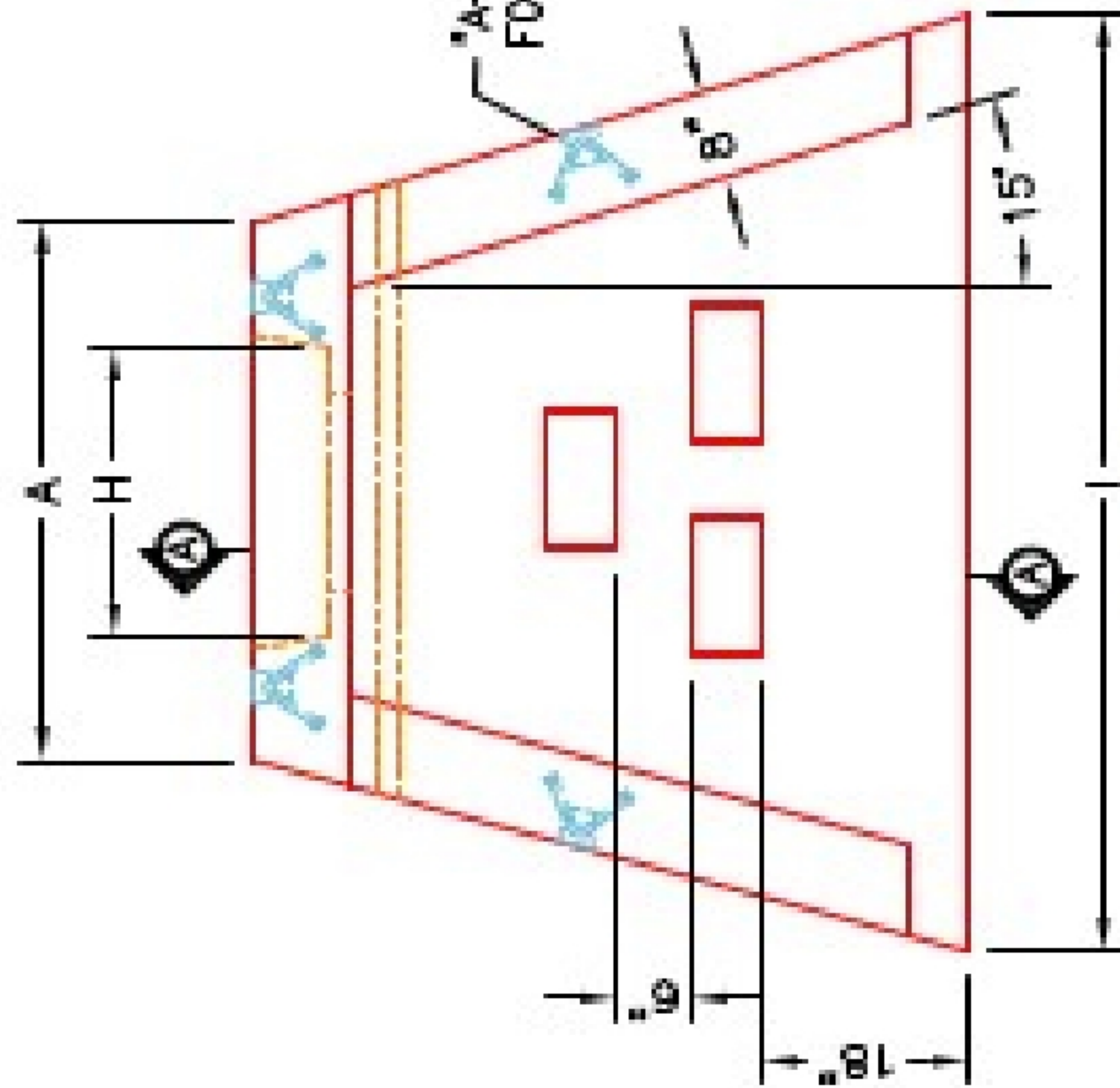
Structure ID: 12-50210

P1 HWSF24FD

24" - HW SLOPED & FLARED W/FLAT BOTTOM/DISSIPATORS F/F

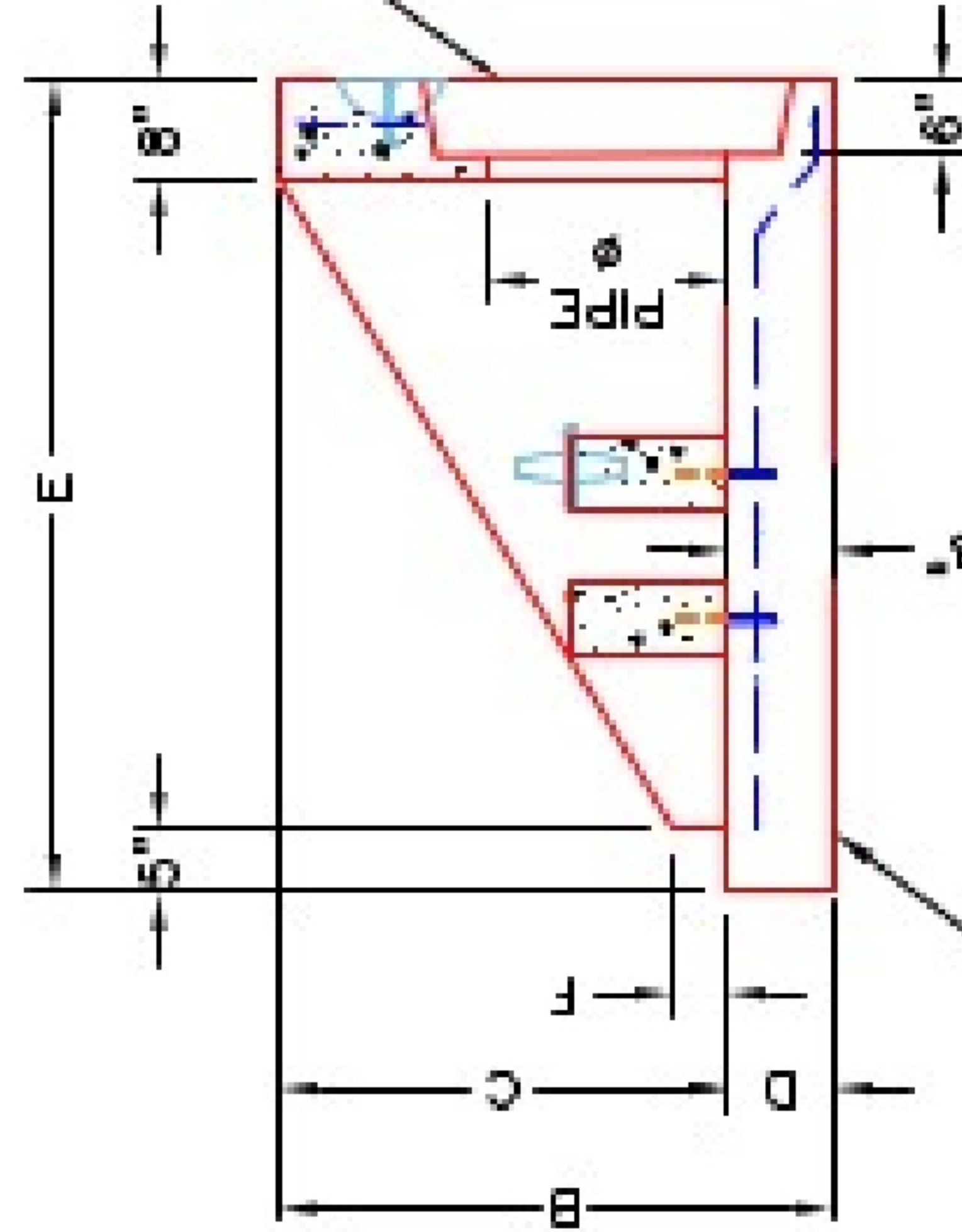
DIMENSIONS											
PIPE Ø	A	B	C	D	E	F	G	H	I	WEIGHT	DISSIPATORS
24"	3'-6"	4'-4"	2'-10"	8"	8'-0"	4"	3'	2'-10"	6'-0"	5,127 LBS.	3 EA.

"A-ANCHOR" LIFTING SYSTEM FOR PLANT & FIELD HANDLING.



PLAN VIEW

12"X12"X6" ENERGY DISSIPATOR BLOCKS (SEE DETAIL).

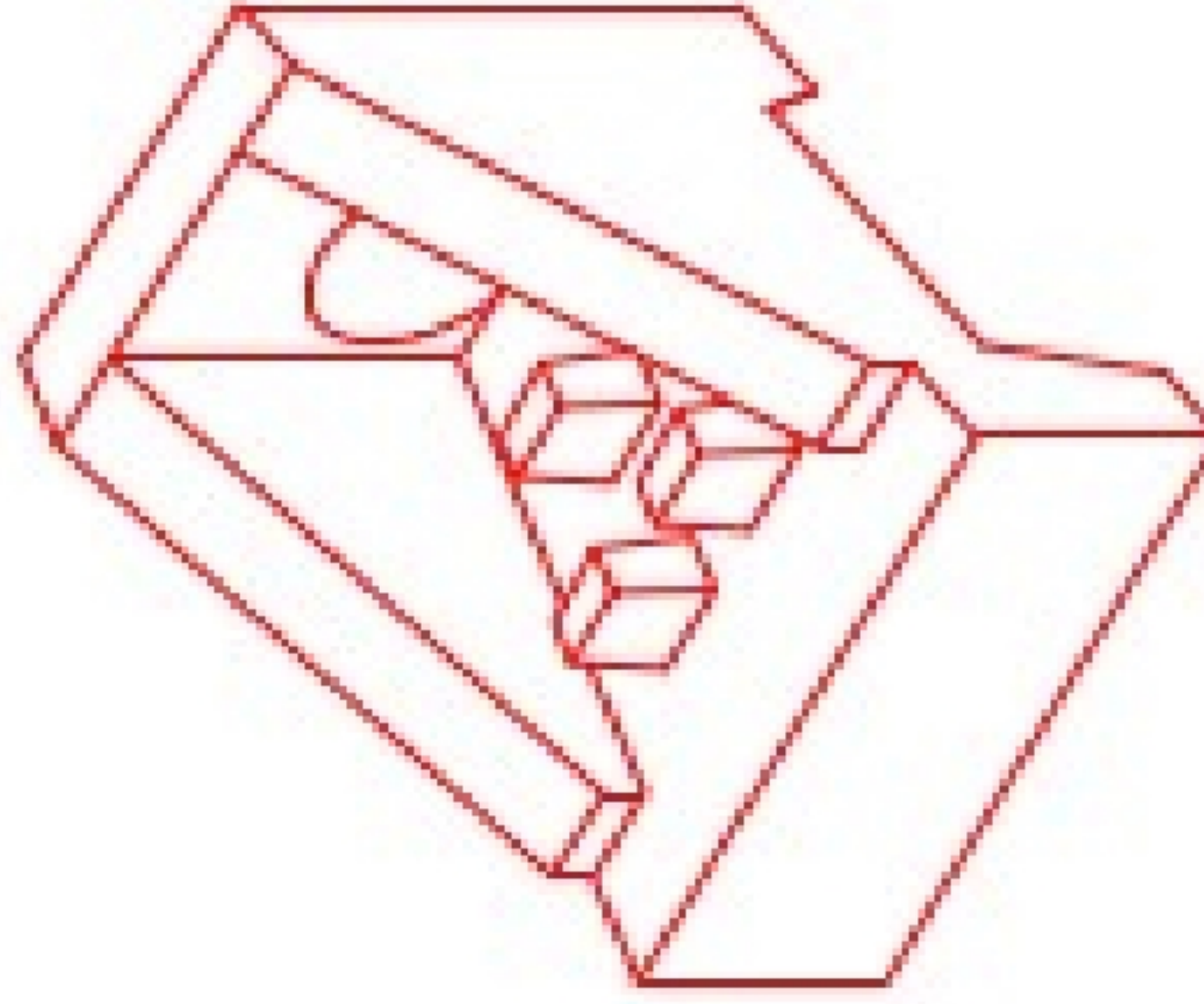


SECTION A-A

FLAT BOTTOM

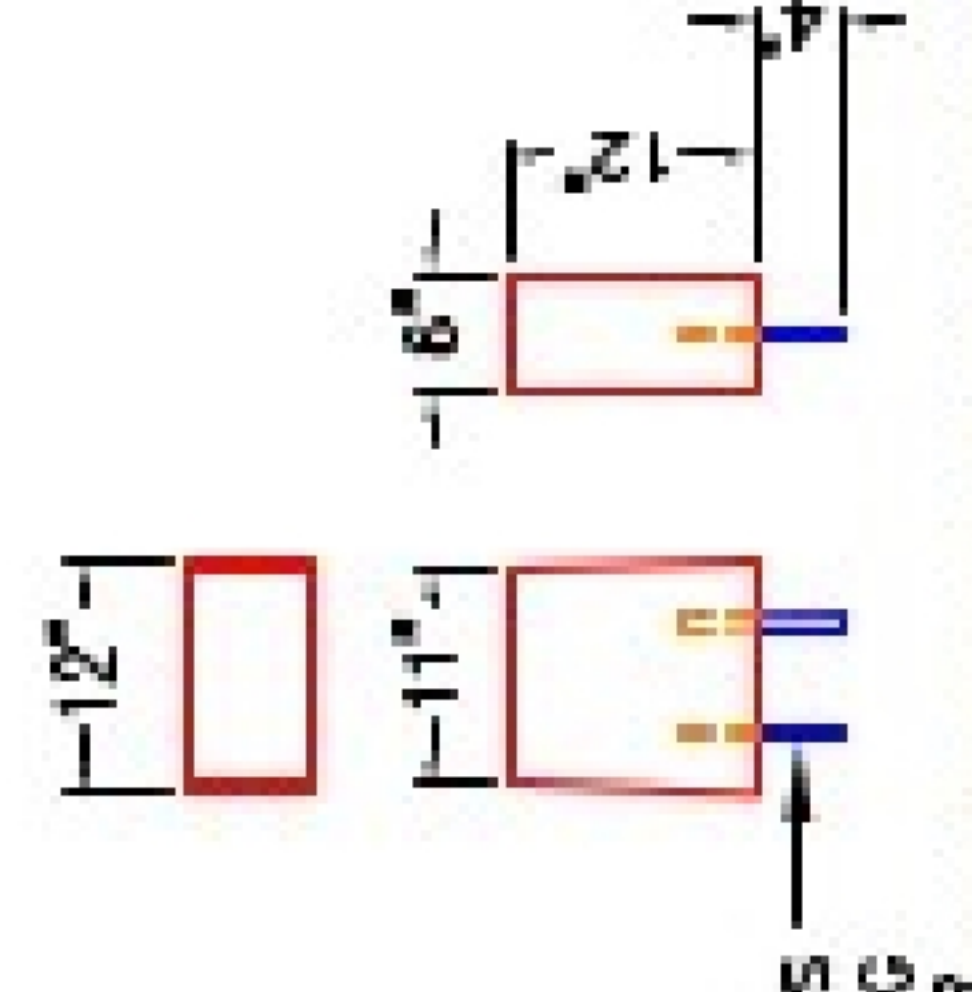
NOTES:

1. CONCRETE: KYTC APPROVED.
2. REINFORCING: #4 BAR @ 12" C/C E.W. - GRADE 60, (WITH 2" CONCRETE COVER MINIMUM)
3. PIPE AND LIFTING ANCHOR POCKETS TO BE GROUTED WITH KYTC APPROVED NON-SHRINK GROUT.
4. DRAWING TO BE USED IN CONJUNCTION WITH KYTC STD. DRAWING RDH-020-03 AND THE STANDARD SPECIFICATIONS FOR ROAD AND BRIDGE CONSTRUCTION.
5. 1/4" CHAMFER ON ALL EXPOSED EDGES.
6. PERFORMED STEPPED HOLE SIZED AS PER O.D. OF PIPE + 3"-4".
7. QUANTITY & SPACING OF DISSIPATOR BLOCKS VARY PER PIPE SIZE (SEE CHART).



ISOMETRIC VIEW
18"Ø & 24" HW SHOWN

STEPPED HOLE FORMER FOR CORRESPONDING PIPE Ø. (PIPE O.D. + 3"-4")



DISSIPATOR BLOCK DETAIL

2-#5 BAR STUBS FOR POST MOUNTING TO HEADWALL FLOOR



INFRASTRUCTURE PRECAST, INC.
 601 WEST 7TH ST., BEAVER DAM, KY. 40009
 PHONE (202) 383-5288, FAX (510) 388-7424

KYTC 12"-24" SLOPED & FLARED HEADWALL
 FLAT BOTTOM WITH ENERGY DISSIPATORS
 DRAWING NO.: KYTC 9F-HWD DATE: 08-18-22
 REVISION BY: J.H. ROSS, PE DRAWN BY: N. RICHARDS
 WEB: WWW.IPCASTING.COM SCALE: NTS