

Job Name: 25-0209 Garrison Gardens
Job Location: Bowling Green, KY
Contractor: Scotty's Contracting & Stone, LLC

PC: Celina Goff
 TECH: J. Horsley - A
 Plant: 100



Structure ID: **CB 8-1**
 Spec: Storm
 Type: BX 6inW, 6inF
 Size: 30" x 30"

Rim: 512'
 Invert: 508.52'
 Rim to Invert: 3.48'

Sump: 0"
 Floor (Top): 508.52'
 Floor Height: 6"

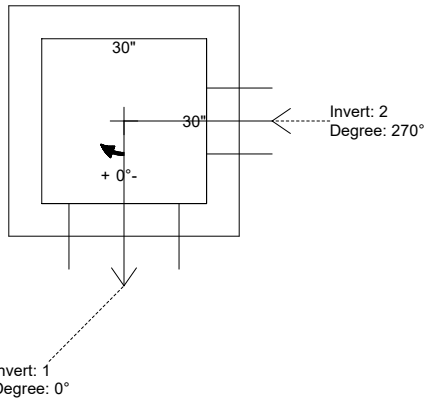
Floor (Bot): 508.02'
 Overall Height: 3.917'
 Slack: 0.76"

Structure Notes:

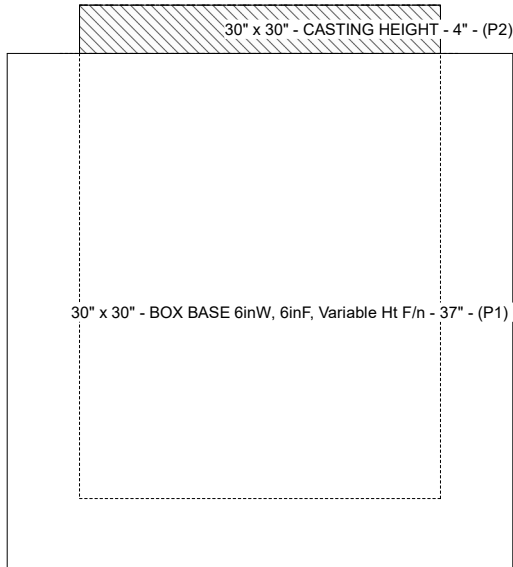
1. PER ASTM C-913 SPECIFICATIONS
2. CONCRETE: 4,000 PSI AT 28 DAYS
3. REINFORCEMENT: #5 BAR @ 12" C.C. E.W. (GRADE 60)
4. NO STORM INVERT
5. NO STEPS
6. HOE 468 FRAME & GRATE SUPPLIED BY ICAST

STRUCTURE SUMMARY:

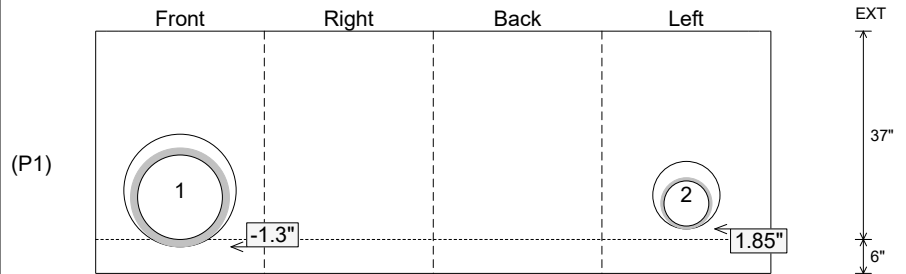
- P2) 30" x 30" - CASTING HEIGHT - 4" 0 lb
 P1) 30" x 30" - BOX BASE 6inW, 6inF, Variable Ht F/n - 37" 3356 lb
 1) CASTING - HOE 468 F/G 489 lb
 1) 30" x 30" - Conseal CS-102 1.00" 0 lb
 1) Hole - 20 0 lb
 1) Hole - 12 0 lb
 Structure Total: 3845 lb



Position	Elev	Angle	Pipe	Pipe OD	Hole	Connector	Up (")	Ref
Rim	512'							
Reducer								
Invert 1	508.52'	0°	15" HDPE	17.6"	20"	Hole 20	-1.3"	P1
Invert 2	508.72'	270°	8" HDPE	9.1"	12"	Hole 12	1.85"	P1
Invert 3								
Invert 4								
Invert 5								
Invert 6								
Invert 7								
Invert 8								



Cast (Int. Dim.) - Interior Dimensions



Submittal Drawing
 1/23/2026 12:27:47 PM

SUBMITTAL
 APPROVED BY: