

Job Name: 25-0209 Garrison Gardens Job Location: Bowling Green, KY Contractor: Scotty's Contracting & Stone, LLC	Plant: 100 1/23/2026 4:32:19 PM	Tech: J. Horsley - A PC: Celina Goff	
--	------------------------------------	---	--

**Structure ID: CB 7-2**

**P1 BX3030-06VH**

**BOX BASE 6inW, 6inF, Variable Ht F/n**

- P2) 30" x 30" - CASTING HEIGHT - 4"
- P1) 30" x 30" - BOX BASE 6inW, 6inF, Variable Ht F/n - 32"
- 1) CASTING - HOE 468 F/G
- 1) 30" x 30" - Conseal CS-102 1.00"
- 1) Hole - 22
- 1) Hole - 16
- 1) Hole - 6

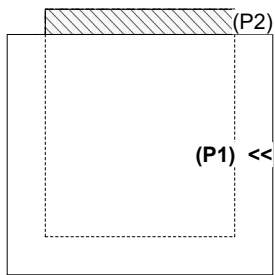
0 lb  
2889 lb  
489 lb  
0 lb  
0 lb  
0 lb  
-----  
0 lb  
Structure Total: 3378 lb

- Structure Notes:**
1. PER ASTM C-913 SPECIFICATIONS
  2. CONCRETE: 4,000 PSI AT 28 DAYS
  3. REINFORCEMENT: #5 BAR @ 12" C.C. E.W. (GRADE 60) - 2" MIN. REBAR CLEARANCE (TYP)
  4. NO STORM INVERT
  5. NO STEPS
  6. HOE 468 FRAME & GRATE SUPPLIED BY ICAST

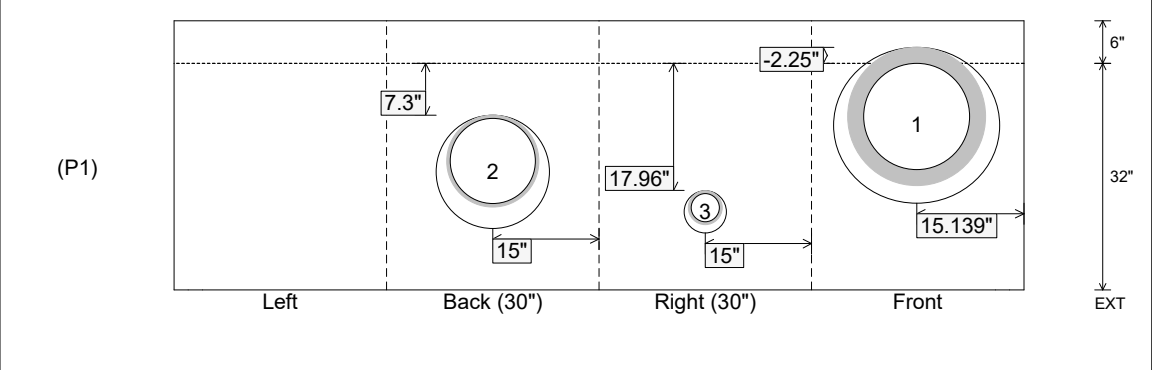
Rim: 520.65'    Rim to Invert: 3.03'    Slack: 0.36"    Sump: 0"    Step Position:

Position	Elev	Angle	Ext. (cw)	Pipe	Pipe OD	Connector	Hole	Horz Size	Up (↓)	Offset
Invert 1	517.62'	20°	23.322"	15" RCP B WALL	19.5"	Hole 22	22"	23.412"	-2.25"	-5"
Invert 2	518.27'	180°	21"	12" CMP	13"	Hole 16	16"	16"	7.3"	0"
Invert 3	519.15'	90°	21"	4" HDPE (perf pipe)	4.8"	Hole 6	6"	6"	17.96"	0"
Invert 4										
Invert 5										
Invert 6										
Invert 7										
Invert 8										

**RIGHT-SIDE UP VIEW (int. dimensions)      UPSIDE-DOWN VIEW (int. dimensions)**



**INSIDE WALL DIMENSIONS**



Coating (Int): Coating (Ext):	Seam Up: Flat Seam Dn: n/a	Wall Thickness: 6" Floor Height: 6"	Height (Int): 32" Height (Ext): 38"	Weight (Net): 2889 lb Volume (Net): 0.74cu.yd
----------------------------------	-------------------------------	--	--	--