

Job Name: 25-0209 Garrison Gardens
Job Location: Bowling Green, KY
Contractor: Scotty's Contracting & Stone, LLC

PC: Celina Goff
 TECH: J. Horsley - A
 Plant: 100



Structure ID: **CB 3-8**
 Spec: Storm
 Type: STM.MH
 Size: 48"

Rim: 519.54'
 Invert: 515.26'
 Rim to Invert: 4.28'

Sump: 1.9"
 Floor (Top): 515.102'
 Floor Height: 6"

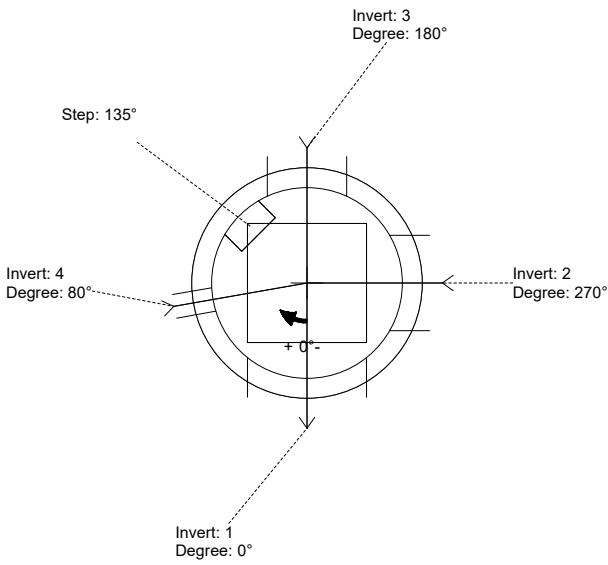
Floor (Bot): 514.602'
 Overall Height: 4.917'
 Slack: 0.26"

Structure Notes:

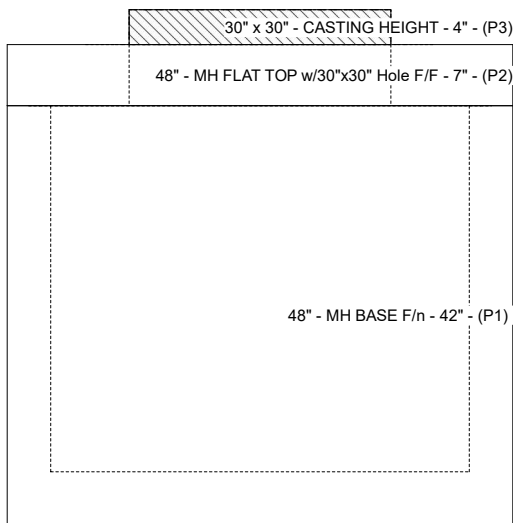
1. PER ASTM C-478 SPECIFICATIONS
2. CONCRETE: 4,000 PSI AT 28 DAYS
3. REINFORCEMENT:
 - FLAT LID: #4 BAR @ 10" C.C. E.W. (GRADE 60)
 - BASE: PER ASTM A615
4. NO STORM INVERT
5. STEPS AT 135 DEGREES
6. HOE 468 FRAME & GRATE SUPPLIED BY ICAST

STRUCTURE SUMMARY:

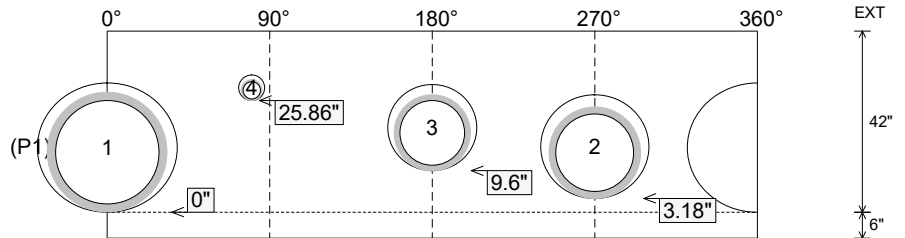
- P3) 30" x 30" - CASTING HEIGHT - 4" 0 lb
 - P2) 48" - MH FLAT TOP w/30"x30" Hole F/F - 7" 1264 lb
 - P1) 48" - MH BASE F/n - 42" 3604 lb
 - 1) CASTING - HOE 468 F/G 489 lb
 - 1) 48" - Conseal CS-102 1.00" 0 lb
 - 1) 30" x 30" - Conseal CS-102 1.00" 0 lb
 - 1) Hole - 30 0 lb
 - 1) Hole - 24 0 lb
 - 1) Hole - 20 0 lb
 - 1) Hole - 6 0 lb
 - 3) MH Step ML-10-TDS-NCR - 10" 0 lb
- Structure Total: 5357 lb**



Position	Elev	Angle	Pipe	Pipe OD	Hole	Connector	Up (L)	Ref
Rim	519.54'							
Reducer								
Invert 1	515.26'	0°	24" HDPE	27.8"	30"	Hole 30	0"	P1
Invert 2	515.5'	270°	18" HDPE	21.2"	24"	Hole 24	3.18"	P1
Invert 3	516.01'	180°	15" HDPE	17.6"	20"	Hole 20	9.6"	P1
Invert 4	517.29'	80°	4" HDPE (perf pipe)	4.8"	6"	Hole 6	25.86"	P1
Invert 5								
Invert 6								
Invert 7								
Invert 8								



Cast (Int. Dim.) - Interior Dimensions



Submittal Drawing
 1/23/2026 12:27:38 PM

SUBMITTAL
 APPROVED BY: