

Job Name: 25-0209 Garrison Gardens
Job Location: Bowling Green, KY
Contractor: Scotty's Contracting & Stone, LLC

PC: Celina Goff
 TECH: J. Horsley - A
 Plant: 100



Structure ID: **CB 3-7**

Spec: Storm
 Type: STM.MH
 Size: 48"

Rim: 518.33'
 Invert: 509.43'
 Rim to Invert: 8.9'

Sump: 1.9"
 Floor (Top): 509.272'
 Floor Height: 6"

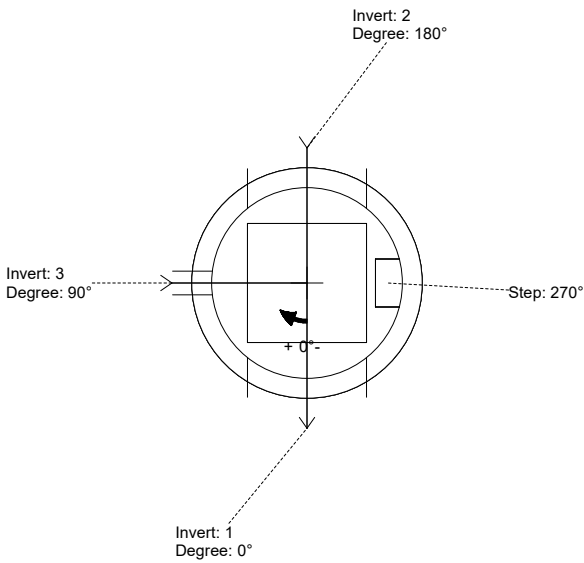
Floor (Bot): 508.772'
 Overall Height: 9.5'
 Slack: 0.7"

Structure Notes:

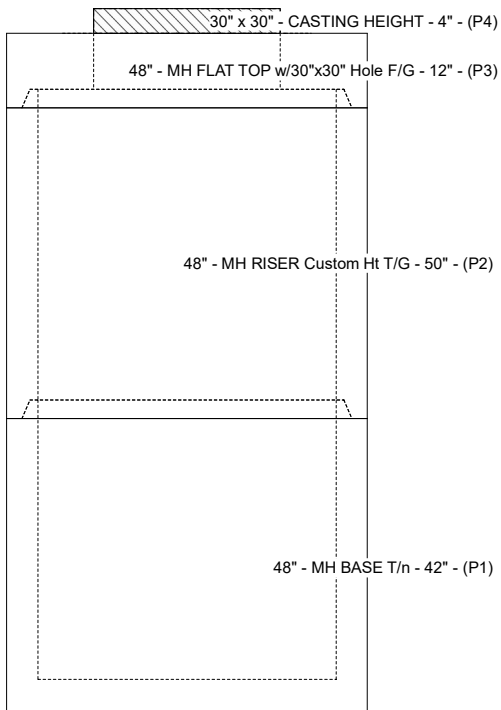
1. PER ASTM C-478 SPECIFICATIONS
2. CONCRETE: 4,000 PSI AT 28 DAYS
3. REINFORCEMENT:
 - FLAT LID: #4 BAR @ 10" C.C. E.W. (GRADE 60)
 - BASE & RISER: PER ASTM A615
4. NO STORM INVERT
5. STEPS AT 270 DEGREES
6. HOE 468 FRAME & GRATE SUPPLIED BY ICAST

STRUCTURE SUMMARY:

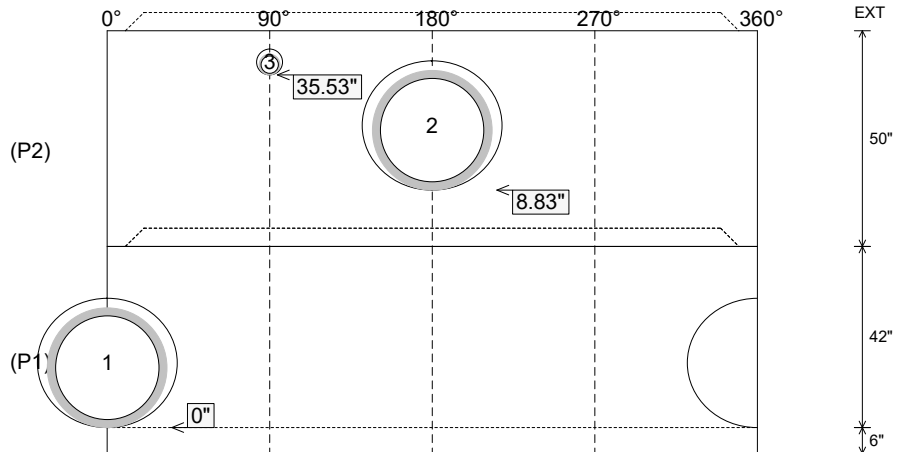
P4) 30" x 30" - CASTING HEIGHT - 4"	0 lb
P3) 48" - MH FLAT TOP w/30"x30" Hole F/G - 12"	1350 lb
P2) 48" - MH RISER Custom Ht T/G - 50"	3165 lb
P1) 48" - MH BASE T/n - 42"	3948 lb
1) CASTING - HOE 468 F/G	489 lb
2) 48" - Conseal CS-102 1.00"	0 lb
1) 30" x 30" - Conseal CS-102 1.00"	0 lb
2) Hole - 30	0 lb
1) Hole - 6	0 lb
7) MH Step ML-10-TDS-NCR - 10"	0 lb
Structure Total:	8952 lb



Position	Elev	Angle	Pipe	Pipe OD	Hole	Connector	Up (')	Ref
Rim	518.33'							
Reducer								
Invert 1	509.43'	0°	24" HDPE	27.8"	30"	Hole 30	0"	P1
Invert 2	514.02'	180°	24" HDPE	27.8"	30"	Hole 30	8.83"	P2
Invert 3	516.12'	90°	4" HDPE (perf pipe)	4.8"	6"	Hole 6	35.53"	P2
Invert 4								
Invert 5								
Invert 6								
Invert 7								
Invert 8								



Cast (Int. Dim.) - Interior Dimensions



Submittal Drawing
 1/23/2026 12:27:37 PM

SUBMITTAL
 APPROVED BY: