

Job Name: 25-0209 Garrison Gardens
Job Location: Bowling Green, KY
Contractor: Scotty's Contracting & Stone, LLC

PC: Celina Goff
 TECH: J. Horsley - A
 Plant: 100



Structure ID: **CB 3-6**
 Spec: Storm
 Type: STM.MH
 Size: 48"

Rim: 516.35'
 Invert: 507.35'
 Rim to Invert: 9'

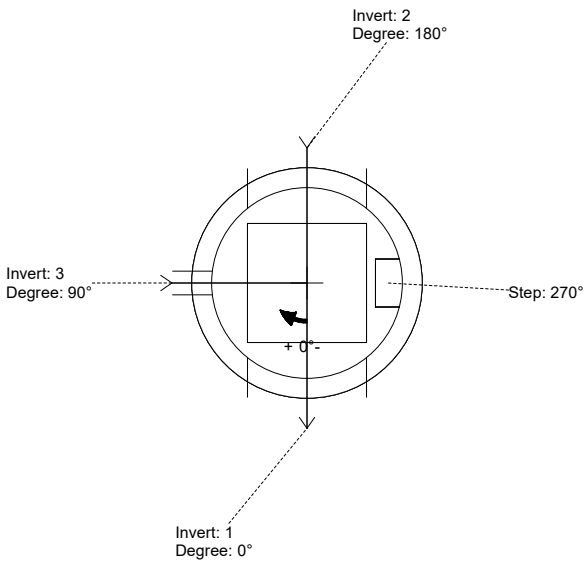
Sump: 1.9"
 Floor (Top): 507.192'
 Floor Height: 6"

Floor (Bot): 506.692'
 Overall Height: 9.583'
 Slack: 0.9"

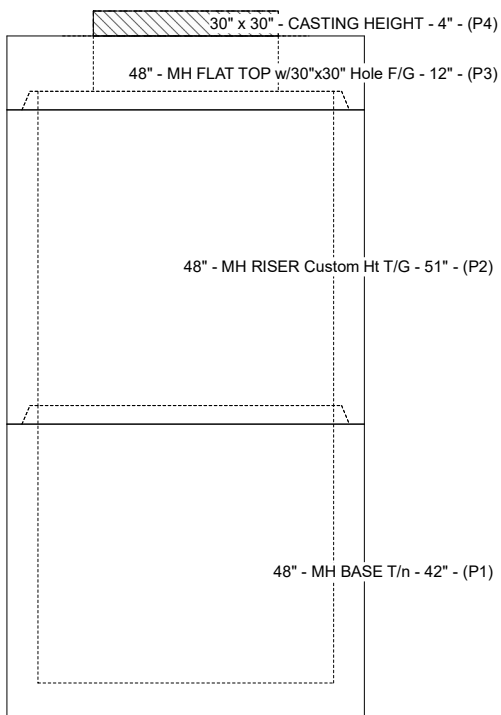
- Structure Notes:**
- PER ASTM C-478 SPECIFICATIONS
 - CONCRETE: 4,000 PSI AT 28 DAYS
 - REINFORCEMENT:
 - FLAT LID: #4 BAR @ 10" C.C. E.W. (GRADE 60)
 - BASE & RISER: PER ASTM A615
 - NO STORM INVERT
 - STEPS AT 270 DEGREES
 - HOE 468 FRAME & GRATE SUPPLIED BY ICAST

STRUCTURE SUMMARY:

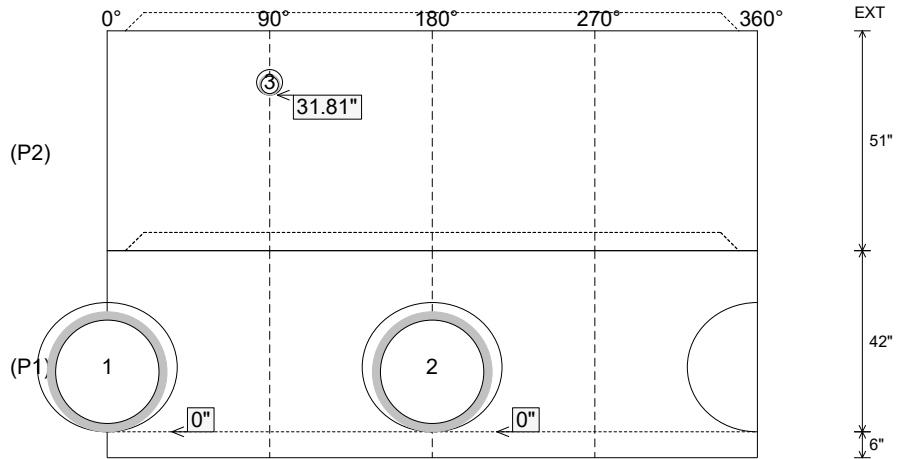
- P4) 30" x 30" - CASTING HEIGHT - 4" 0 lb
 - P3) 48" - MH FLAT TOP w/30"x30" Hole F/G - 12" 1350 lb
 - P2) 48" - MH RISER Custom Ht T/G - 51" 3551 lb
 - P1) 48" - MH BASE T/n - 42" 3632 lb
 - 1) CASTING - HOE 468 F/G 489 lb
 - 2) 48" - Conseal CS-102 1.00" 0 lb
 - 1) 30" x 30" - Conseal CS-102 1.00" 0 lb
 - 2) Hole - 30 0 lb
 - 1) Hole - 6 0 lb
 - 7) MH Step ML-10-TDS-NCR - 10" 0 lb
- Structure Total: 9022 lb



Position	Elev	Angle	Pipe	Pipe OD	Hole	Connector	Up (L)	Ref
Rim	516.35'							
Reducer								
Invert 1	507.35'	0°	24" HDPE	27.8"	30"	Hole 30	0"	P1
Invert 2	507.35'	180°	24" HDPE	27.8"	30"	Hole 30	0"	P1
Invert 3	513.73'	90°	4" HDPE (perf pipe)	4.8"	6"	Hole 6	31.81"	P2
Invert 4								
Invert 5								
Invert 6								
Invert 7								
Invert 8								



Cast (Int. Dim.) - Interior Dimensions



Submittal Drawing
 1/23/2026 12:27:36 PM

SUBMITTAL
 APPROVED BY: