

Job Name: 25-0209 Garrison Gardens Job Location: Bowling Green, KY Contractor: Scotty's Contracting & Stone, LLC	Plant: 100 1/23/2026 4:32:06 PM	Tech: J. Horsley - A PC: Celina Goff	
--	------------------------------------	---	--

Structure ID: CB 3-6

P1 MH048BA42

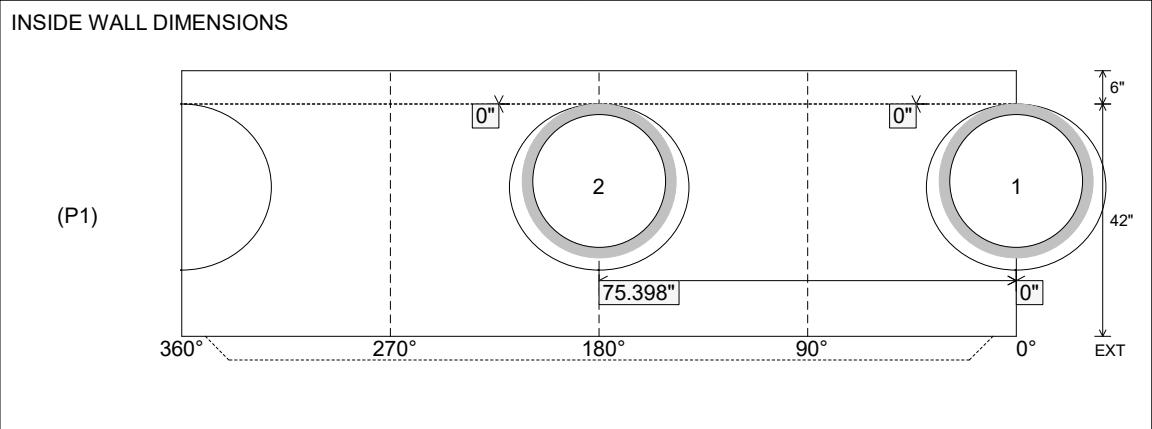
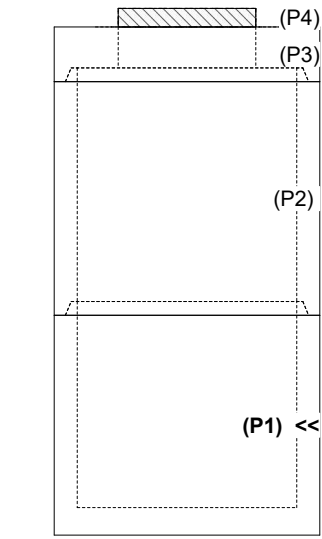
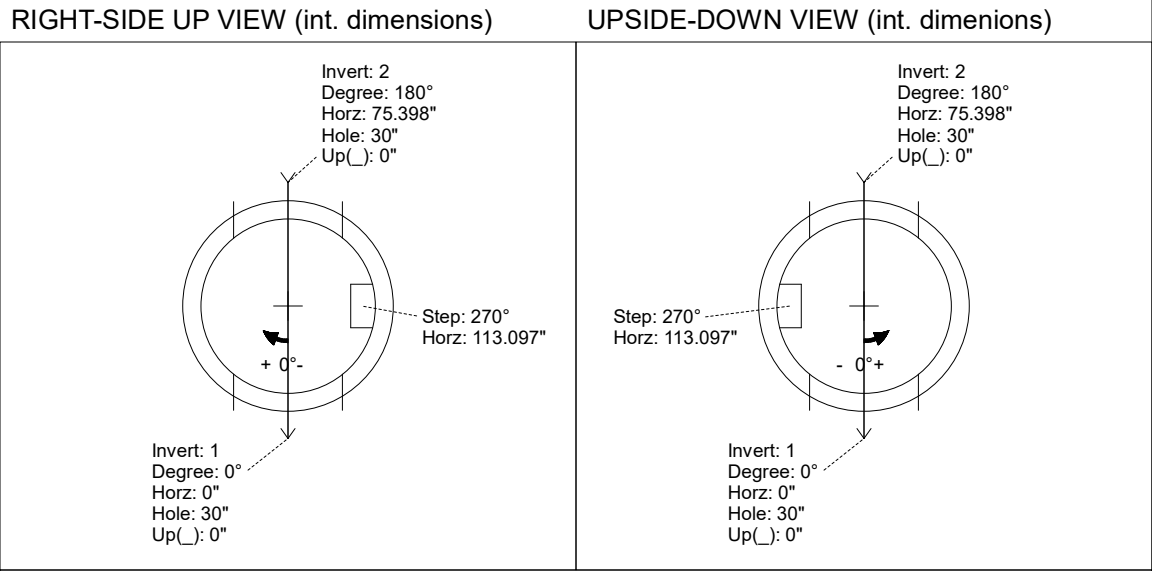
MH BASE T/n

P4) 30" x 30" - CASTING HEIGHT - 4"	0 lb
P3) 48" - MH FLAT TOP w/30"x30" Hole F/G - 12"	1350 lb
P2) 48" - MH RISER Custom Ht T/G - 51"	3551 lb
P1) 48" - MH BASE T/n - 42"	3632 lb
1) CASTING - HOE 468 F/G	489 lb
2) 48" - Conseal CS-102 1.00"	0 lb
1) 30" x 30" - Conseal CS-102 1.00"	0 lb
2) Hole - 30	0 lb
1) Hole - 6	0 lb
7) MH Step ML-10-TDS-NCR - 10"	0 lb
Structure Total:	9022 lb

Structure Notes:
 1. PER ASTM C-478 SPECIFICATIONS
 2. CONCRETE: 4,000 PSI AT 28 DAYS
 3. REINFORCEMENT: PER ASTM A615
 4. NO STORM INVERT
 5. STEPS AT 270 DEGREES
 6. HOE 468 FRAME & GRATE SUPPLIED BY ICAST

Rim: 516.35' Rim to Invert: 9' Slack: 0.9" Sump: 1.9" Step Position: 270°

Position	Elev	Angle	Ext. (cw)	Pipe	Pipe OD	Connector	Hole	Horz Size	Up ()	Offset
Invert 1	507.35'	0°	0"	24" HDPE	27.8"	Hole 30	30"	32.406"	0"	0"
Invert 2	507.35'	180°	91.106"	24" HDPE	27.8"	Hole 30	30"	32.406"	0"	0"
Invert 3										
Invert 4										
Invert 5										
Invert 6										
Invert 7										
Invert 8										



Coating (Int): Coating (Ext):	Seam Up: Tongue Seam Dn: n/a	Wall Thickness: 5" Floor Height: 6"	Height (Int): 42" Height (Ext): 48"	Weight (Net): 3632 lb Volume (Net): 0.93cu.yd
----------------------------------	---------------------------------	--	--	--