

Job Name: 25-0209 Garrison Gardens
Job Location: Bowling Green, KY
Contractor: Scotty's Contracting & Stone, LLC

PC: Celina Goff
 TECH: J. Horsley - A
 Plant: 100



Structure ID: **CB 3-5**

Spec: Storm
 Type: STM.MH
 Size: 60"

Rim: 514.04'
 Invert: 506.31'
 Rim to Invert: 7.73'

Sump: 2.55"
 Floor (Top): 506.098'
 Floor Height: 8"

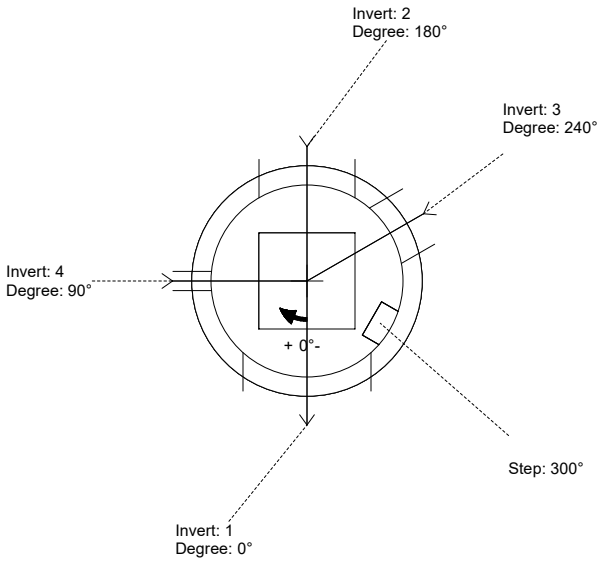
Floor (Bot): 505.431'
 Overall Height: 8.583'
 Slack: 0.31"

Structure Notes:

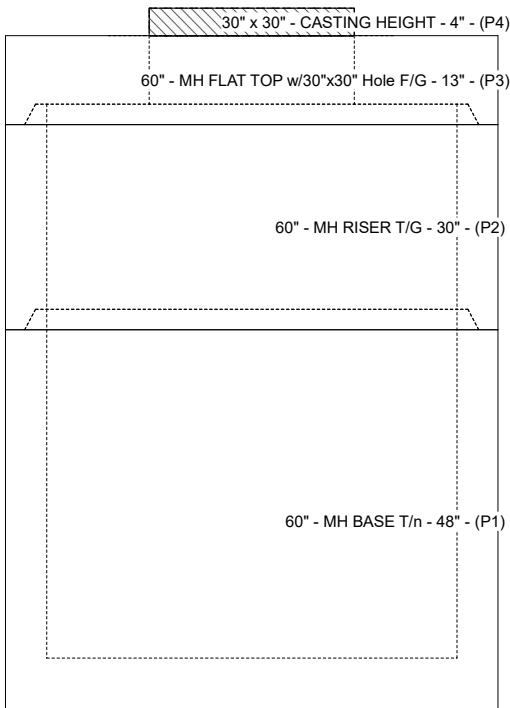
- PER ASTM C-478 SPECIFICATIONS
- CONCRETE: 4,000 PSI AT 28 DAYS
- REINFORCEMENT:
 - FLAT LID: #5 BAR @ 6" C.C. E.W. (GRADE 60)
 - BASE & RISER: PER ASTM A615
- NO STORM INVERT
- STEPS AT 300 DEGREES
- HOE 468 FRAME & GRATE SUPPLIED BY ICAST

STRUCTURE SUMMARY:

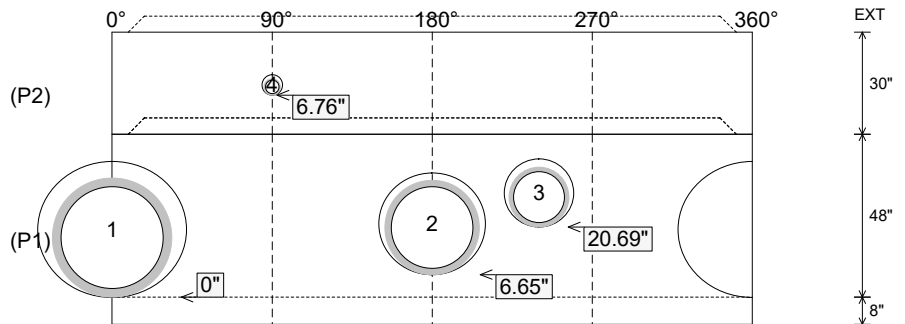
- P4) 30" x 30" - CASTING HEIGHT - 4" 0 lb
 - P3) 60" - MH FLAT TOP w/30"x30" Hole F/G - 13" 2400 lb
 - P2) 60" - MH RISER SPECIAL T/G - 30" 3118 lb
 - P1) 60" - MH BASE T/n - 48" 6532 lb
 - 1) CASTING - HOE 468 F/G 489 lb
 - 2) 60" - Conseal CS-102 1.00" 0 lb
 - 1) 30" x 30" - Conseal CS-102 1.00" 0 lb
 - 1) Hole - 40 0 lb
 - 1) Hole - 30 0 lb
 - 1) Hole - 20 0 lb
 - 1) Hole - 6 0 lb
 - 7) MH Step ML-10-TDS-NCR - 10" 0 lb
- Structure Total: 12538 lb



Position	Elev	Angle	Pipe	Pipe OD	Hole	Connector	Up (L)	Ref
Rim	514.04'							
Reducer								
Invert 1	506.31'	0°	30" HDPE	35.1"	40"	Hole 40	0"	P1
Invert 2	506.81'	180°	24" HDPE	27.8"	30"	Hole 30	6.65"	P1
Invert 3	507.93'	240°	15" HDPE	17.6"	20"	Hole 20	20.69"	P1
Invert 4	511.09'	90°	4" HDPE (perf pipe)	4.8"	6"	Hole 6	6.76"	P2
Invert 5								
Invert 6								
Invert 7								
Invert 8								



Cast (Int. Dim.) - Interior Dimensions



Submittal Drawing
 1/23/2026 12:27:35 PM

SUBMITTAL
 APPROVED BY: