

Job Name: 25-0209 Garrison Gardens
Job Location: Bowling Green, KY
Contractor: Scotty's Contracting & Stone, LLC

PC: Celina Goff
 TECH: J. Horsley - A
 Plant: 100



Structure ID: **CB 3-4**
 Spec: Storm
 Type: STM.MH
 Size: 60"

Rim: 511.85'
 Invert: 501.54'
 Rim to Invert: 10.31'

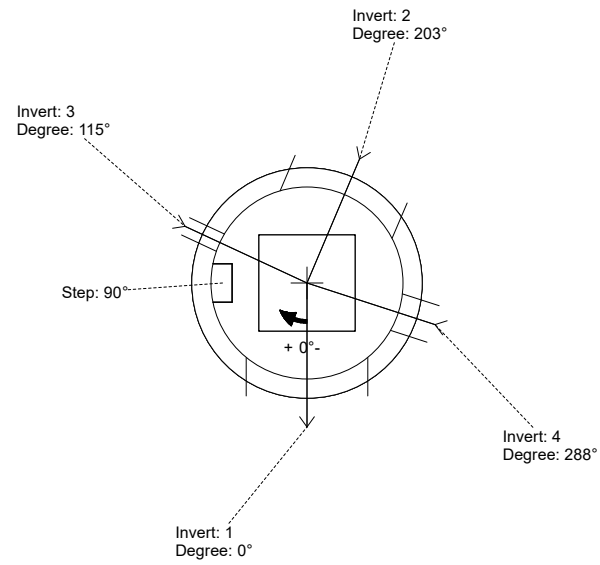
Sump: 2.55"
 Floor (Top): 501.328'
 Floor Height: 8"

Floor (Bot): 500.661'
 Overall Height: 11.167'
 Slack: 0.27"

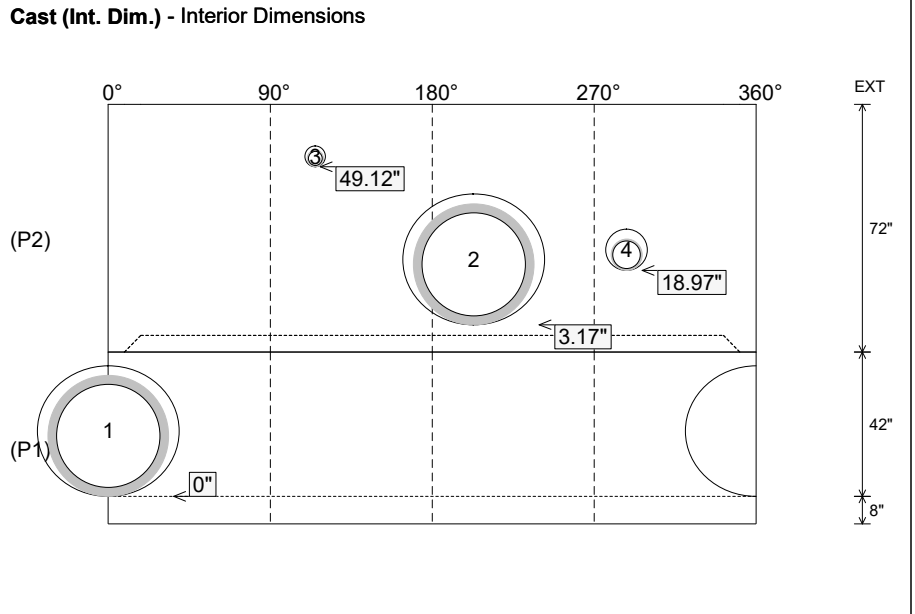
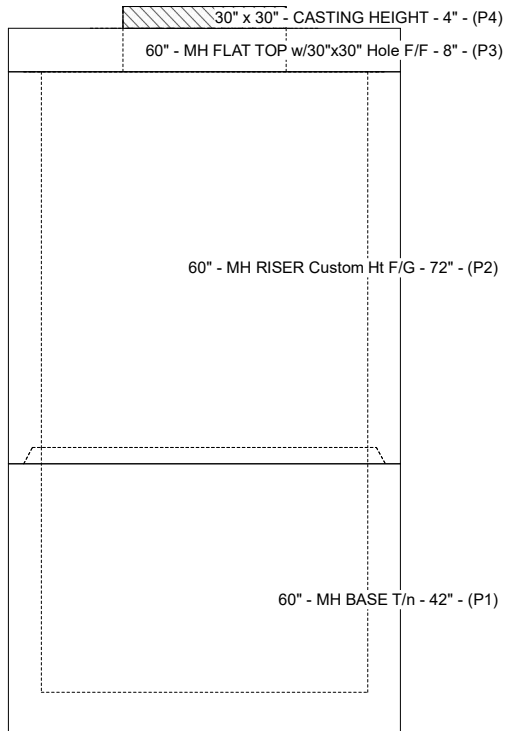
- Structure Notes:**
- PER ASTM C-478 SPECIFICATIONS
 - CONCRETE: 4,000 PSI AT 28 DAYS
 - REINFORCEMENT:
 - FLAT LID: #5 BAR @ 6" C.C. E.W. (GRADE 60)
 - BASE & RISER: PER ASTM A615
 - NO STORM INVERT
 - STEPS AT 90 DEGREES
 - HOE 468 FRAME & GRATE SUPPLIED BY ICAST

STRUCTURE SUMMARY:

| | |
|---|-----------------|
| P4) 30" x 30" - CASTING HEIGHT - 4" | 0 lb |
| P3) 60" - MH FLAT TOP w/30"x30" Hole F/F - 8" | 2239 lb |
| P2) 60" - MH RISER Custom Ht F/G - 72" | 6835 lb |
| P1) 60" - MH BASE T/n - 42" | 6508 lb |
| 1) CASTING - HOE 468 F/G | 489 lb |
| 2) 60" - Conseal CS-102 1.00" | 0 lb |
| 1) 30" x 30" - Conseal CS-102 1.00" | 0 lb |
| 2) Hole - 38 | 0 lb |
| 1) Hole - 6 | 0 lb |
| 1) Hole - 12 | 0 lb |
| 3) MH Step ML-10-TDS-NCR - 10" | 0 lb |
| Structure Total: | 16071 lb |



| Position | Elev | Angle | Pipe | Pipe OD | Hole | Connector | Up (L) | Ref |
|----------|---------|-------|---------------------|---------|------|-----------|--------|-----|
| Rim | 511.85' | | | | | | | |
| Reducer | | | | | | | | |
| Invert 1 | 501.54' | 0° | 30" HDPE | 35.1" | 38" | Hole 38 | 0" | P1 |
| Invert 2 | 505.7' | 203° | 30" HDPE | 35.1" | 38" | Hole 38 | 3.17" | P2 |
| Invert 3 | 509.35' | 115° | 4" HDPE (perf pipe) | 4.8" | 6" | Hole 6 | 49.12" | P2 |
| Invert 4 | 506.85' | 288° | 8" HDPE | 9.1" | 12" | Hole 12 | 18.97" | P2 |
| Invert 5 | | | | | | | | |
| Invert 6 | | | | | | | | |
| Invert 7 | | | | | | | | |
| Invert 8 | | | | | | | | |



Submittal Drawing
 1/23/2026 12:27:34 PM

SUBMITTAL
 APPROVED BY: