

Job Name: 25-0209 Garrison Gardens  
 Job Location: Bowling Green, KY  
 Contractor: Scotty's Contracting & Stone, LLC

Plant: 100  
 1/23/2026 4:36:15 PM

Tech: J. Horsley - A  
 PC: Celina Goff



**Structure ID: CB 3-4**

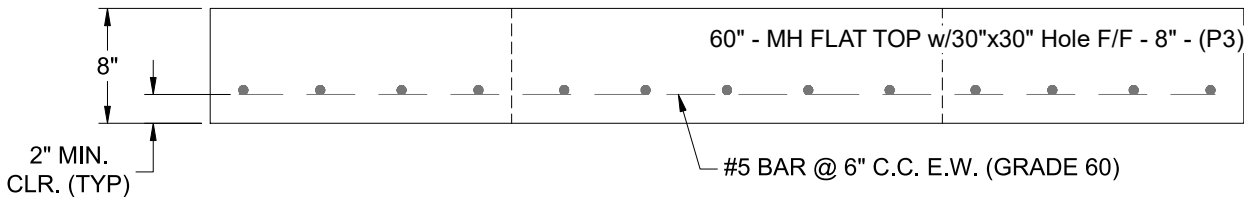
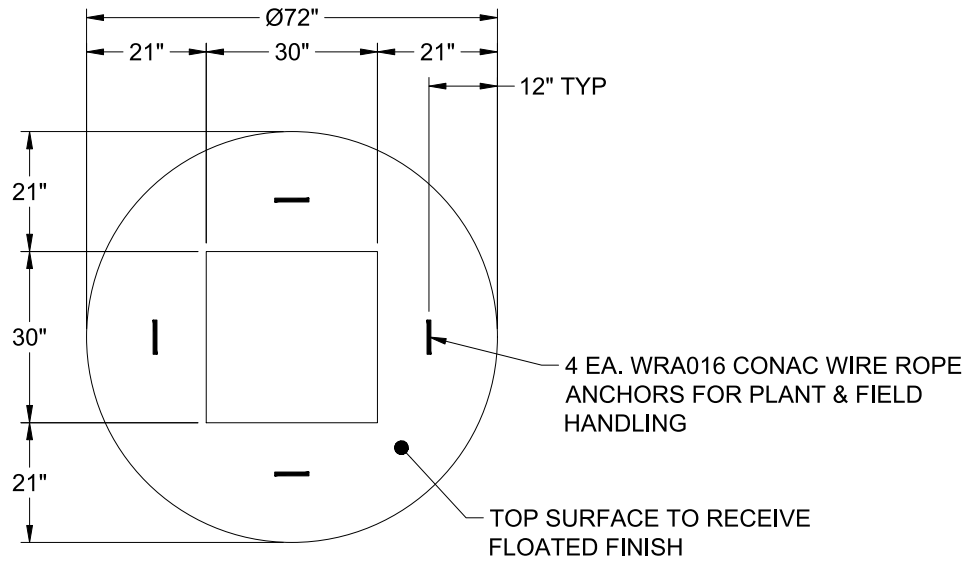
**P3 MH060LD08-30SQ**

**MH FLAT TOP w/30"x30" Hole F/F**

- P4) 30" x 30" - CASTING HEIGHT - 4"
- P3) 60" - MH FLAT TOP w/30"x30" Hole F/F - 8"
- P2) 60" - MH RISER Custom Ht F/G - 72"
- P1) 60" - MH BASE T/n - 42"
- 1) CASTING - HOE 468 F/G
- 2) 60" - Conseal CS-102 1.00"
- 1) 30" x 30" - Conseal CS-102 1.00"
- 2) Hole - 38
- 1) Hole - 6
- 1) Hole - 12
- 3) MH Step ML-10-TDS-NCR - 10"

0 lb  
 2239 lb  
 6835 lb  
 6508 lb  
 489 lb  
 0 lb  
 0 lb  
 0 lb  
 0 lb  
 0 lb  
 0 lb  
 0 lb  
 Structure Total: 16071 lb

- Structure Notes:**
1. PER ASTM C-478 SPECIFICATIONS
  2. CONCRETE: 4,000 PSI AT 28 DAYS
  3. REINFORCEMENT: #5 BAR @ 6" C.C. E.W. (GRADE 60) - 2" MIN. REBAR CLEARANCE (TYP)
  4. HOE 468 FRAME & GRATE SUPPLIED BY ICAST
  5. LIFTERS: 4 EA. WRA016 CONAC WIRE ROPE ANCHORS FOR PLANT & FIELD HANDLING
  6. TOP SURFACE TO RECEIVE FLOATED FINISH



Coating (Int): Coating (Ext):	Seam Up: Flat Seam Dn: Flat	Wall Thickness: 6"	Height (Ext): 8"	Weight (Net): 2239 lb Volume (Net): 0.57cu.yd
----------------------------------	--------------------------------	--------------------	------------------	--