

Job Name: 25-0209 Garrison Gardens
Job Location: Bowling Green, KY
Contractor: Scotty's Contracting & Stone, LLC

PC: Celina Goff
 TECH: J. Horsley - A
 Plant: 100



Structure ID: **CB 3-3**

Spec: Storm
 Type: STM.MH
 Size: 60"

Rim: 510.58'
 Invert: 500.17'
 Rim to Invert: 10.41'

Sump: 2.55"
 Floor (Top): 499.958'
 Floor Height: 8"

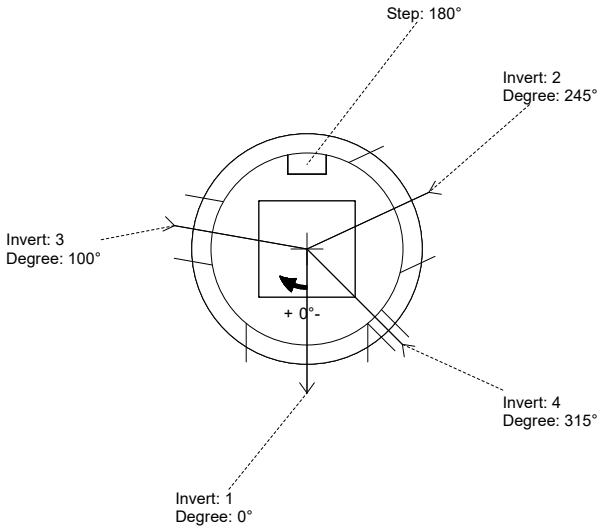
Floor (Bot): 499.291'
 Overall Height: 11.25'
 Slack: 0.47"

Structure Notes:

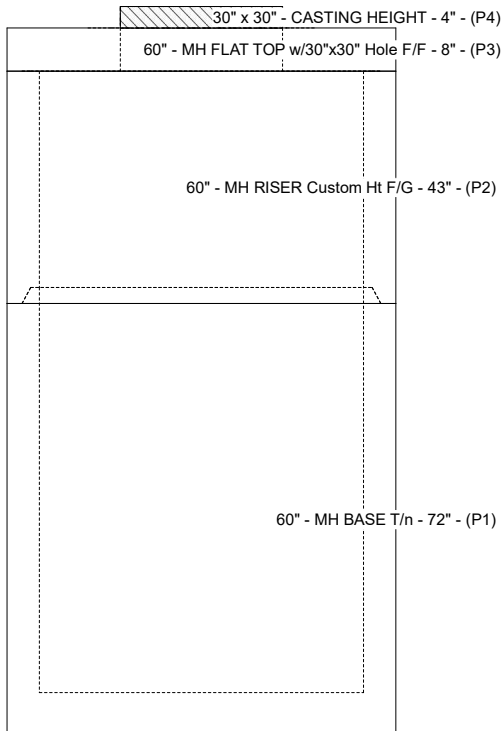
1. PER ASTM C-478 SPECIFICATIONS
2. CONCRETE: 4,000 PSI AT 28 DAYS
3. REINFORCEMENT:
 - FLAT LID: #5 BAR @ 6" C.C. E.W. (GRADE 60)
 - BASE & RISER: PER ASTM A615
4. NO STORM INVERT
5. STEPS AT 180 DEGREES
6. HOE 468 FRAME & GRATE SUPPLIED BY ICAST

STRUCTURE SUMMARY:

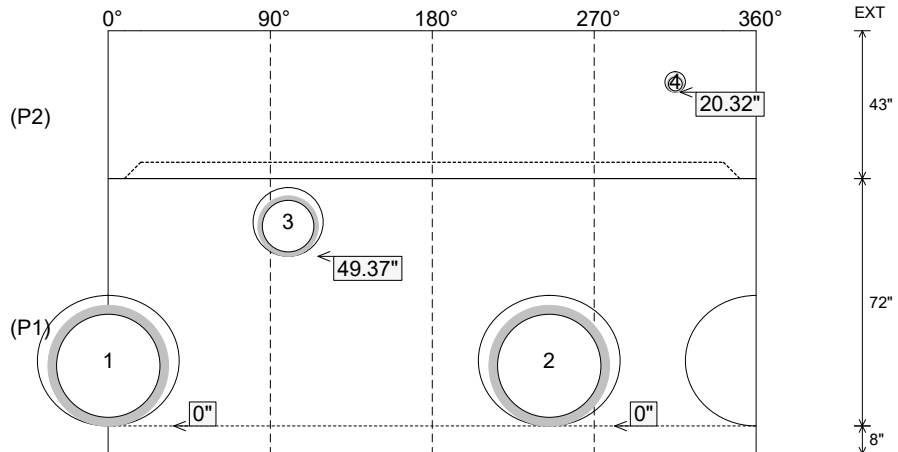
P4) 30" x 30" - CASTING HEIGHT - 4"	0 lb
P3) 60" - MH FLAT TOP w/30"x30" Hole F/F - 8"	2239 lb
P2) 60" - MH RISER Custom Ht F/G - 43"	4475 lb
P1) 60" - MH BASE T/n - 72"	8869 lb
1) CASTING - HOE 468 F/G	489 lb
2) 60" - Conseal CS-102 1.00"	0 lb
1) 30" x 30" - Conseal CS-102 1.00"	0 lb
2) Hole - 38	0 lb
1) Hole - 20	0 lb
1) Hole - 6	0 lb
6) MH Step ML-10-TDS-NCR - 10"	0 lb
Structure Total:	16072 lb



Position	Elev	Angle	Pipe	Pipe OD	Hole	Connector	Up (L)	Ref
Rim	510.58'							
Reducer								
Invert 1	500.17'	0°	30" HDPE	35.1"	38"	Hole 38	0"	P1
Invert 2	500.17'	245°	30" HDPE	35.1"	38"	Hole 38	0"	P1
Invert 3	504.18'	100°	15" HDPE	17.6"	20"	Hole 20	49.37"	P1
Invert 4	508.08'	315°	4" HDPE (perf pipe)	4.8"	6"	Hole 6	20.32"	P2
Invert 5								
Invert 6								
Invert 7								
Invert 8								



Cast (Int. Dim.) - Interior Dimensions



Submittal Drawing
 1/23/2026 12:27:34 PM

SUBMITTAL
 APPROVED BY: