

Job Name: 25-0209 Garrison Gardens
Job Location: Bowling Green, KY
Contractor: Scotty's Contracting & Stone, LLC

PC: Celina Goff
 TECH: J. Horsley - A
 Plant: 100



Structure ID: **CB 3-11**
 Spec: Storm
 Type: STM.MH (Recessed pipe)
 Size: 48"

Rim: 524.56'
 Invert: 521.23'
 Rim to Invert: 3.33'

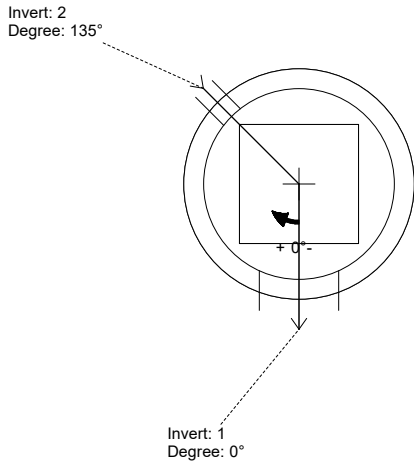
Sump: 0"
 Floor (Top): 521.23'
 Floor Height: 6"

Floor (Bot): 520.73'
 Overall Height: 3.75'
 Slack: 0.96"

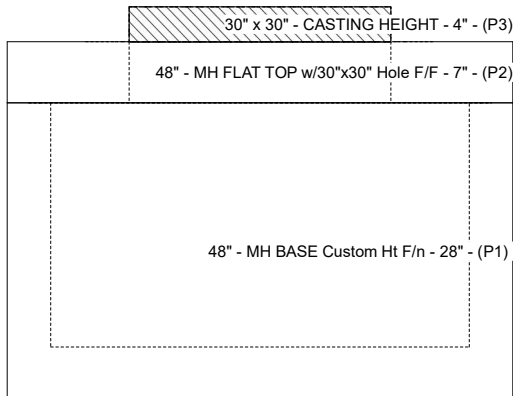
- Structure Notes:**
- PER ASTM C-478 SPECIFICATIONS
 - CONCRETE: 4,000 PSI AT 28 DAYS
 - REINFORCEMENT:
 - FLAT LID: #4 BAR @ 10" C.C. E.W. (GRADE 60)
 - BASE: PER ASTM A615
 - NO STORM INVERT
 - NO STEPS
 - HOE 468 FRAME & GRATE SUPPLIED BY ICAST

STRUCTURE SUMMARY:

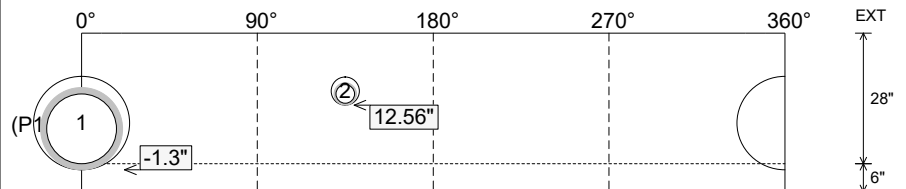
P3) 30" x 30" - CASTING HEIGHT - 4"	0 lb
P2) 48" - MH FLAT TOP w/30"x30" Hole F/F - 7"	1264 lb
P1) 48" - MH BASE Custom Ht F/n - 28"	3139 lb
1) CASTING - HOE 468 F/G	489 lb
1) 48" - Conseal CS-102 1.00"	0 lb
1) 30" x 30" - Conseal CS-102 1.00"	0 lb
1) Hole - 20	0 lb
1) Hole - 6	0 lb
Structure Total:	4892 lb



Position	Elev	Angle	Pipe	Pipe OD	Hole	Connector	Up (L)	Ref
Rim	524.56'							
Reducer								
Invert 1	521.23'	0°	15" HDPE	17.6"	20"	Hole 20	-1.3"	P1
Invert 2	522.31'	135°	4" HDPE (perf pipe)	4.8"	6"	Hole 6	12.56"	P1
Invert 3								
Invert 4								
Invert 5								
Invert 6								
Invert 7								
Invert 8								



Cast (Int. Dim.) - Interior Dimensions



Submittal Drawing
 1/23/2026 12:27:40 PM

SUBMITTAL
 APPROVED BY: