

Job Name: 25-0209 Garrison Gardens
 Job Location: Bowling Green, KY
 Contractor: Scotty's Contracting & Stone, LLC

Plant: 100
 1/23/2026 4:36:20 PM

Tech: J. Horsley - A
 PC: Celina Goff



Structure ID: CB 2-3

P3 GR30x30x6x3

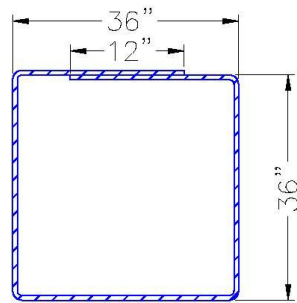
GRADE RING F/F

- P4) 30" x 30" - CASTING HEIGHT - 4"
- P3) 30" x 30" - GRADE RING F/F - 3"
- P2) 48" - MH FLAT TOP w/30"x30" Hole F/G - 12"
- P1) 48" - MH BASE T/n - 36"
- 1) CASTING - HOE 468 F/G
- 1) 48" - Conseal CS-102 1.00"
- 2) 30" x 30" - Conseal CS-102 1.00"
- 2) Hole - 30
- 1) Hole - 6
- 3) MH Step ML-10-TDS-NCR - 10"

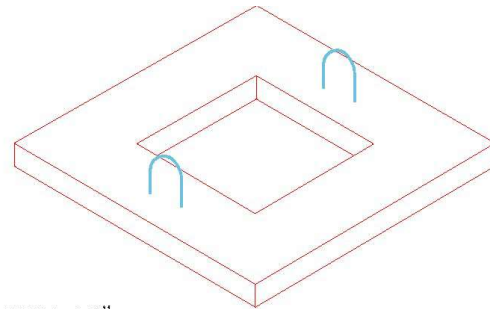
0 lb
 218 lb
 1350 lb
 3201 lb
 489 lb
 0 lb
 0 lb
 0 lb
 0 lb
 0 lb

 Structure Total: 5258 lb

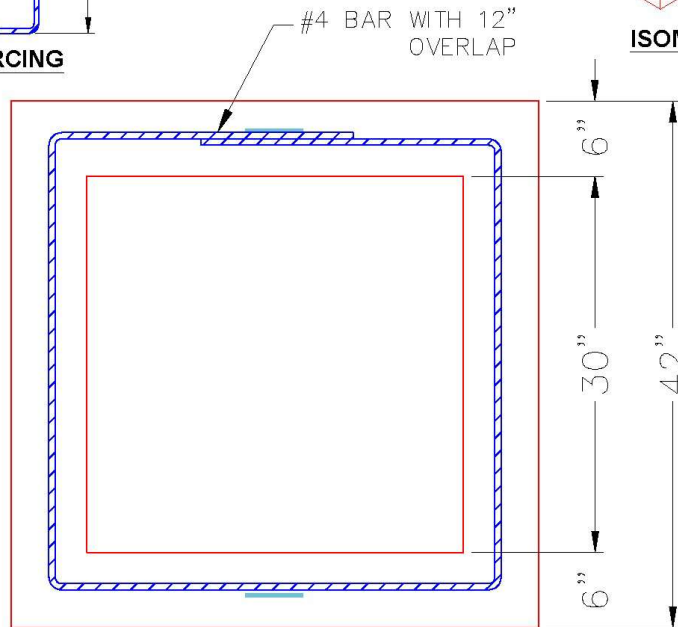
Structure Notes:
 1. PER ASTM C-913 SPECIFICATIONS
 2. CONCRETE: 4,000 PSI AT 28 DAYS
 3. REINFORCEMENT: #4 BAR AS SHOWN (GRADE 60)



#4 BAR REINFORCING

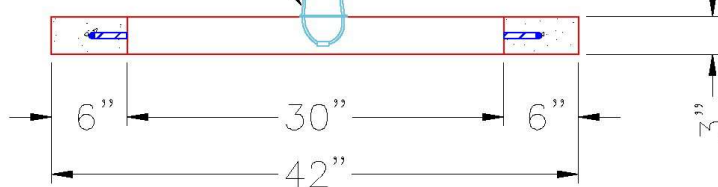


ISOMETRIC VIEW



PLAN VIEW

2 EA. CONAC .8 TON 8¹/₁₆"
 (6MM) WIRE ROPE ANCHORS
 FOR HANDLING.



SECTION A-A

Coating (Int):
 Coating (Ext):

Seam Up: Flat
 Seam Dn: Flat

Wall Thickness: 6"

Height (Ext): 3"

Weight (Net): 217 lb
 Volume (Net): 0.06cu.yd