

Job Name: 25-0209 Garrison Gardens	Plant: 100	Tech: J. Horsley - A	
Job Location: Bowling Green, KY	1/23/2026 4:32:00 PM	PC: Celina Goff	
Contractor: Scotty's Contracting & Stone, LLC			

Structure ID: CB 1-8

P1 MH060BAVF

MH BASE Custom Ht F/n

P3) 30" x 30" - CASTING HEIGHT - 4"	0 lb
P2) 60" - MH FLAT TOP w/30"x30" Hole F/F - 8"	2239 lb
P1) 60" - MH BASE Custom Ht F/n - 57"	7464 lb
1) CASTING - HOE 468 F/G	489 lb
1) 60" - Conseal CS-102 1.00"	0 lb
1) 30" x 30" - Conseal CS-102 1.00"	0 lb
2) Hole - 38	0 lb
5) MH Step ML-10-TDS-NCR - 10"	0 lb
Structure Total:	10192 lb

Structure Notes:

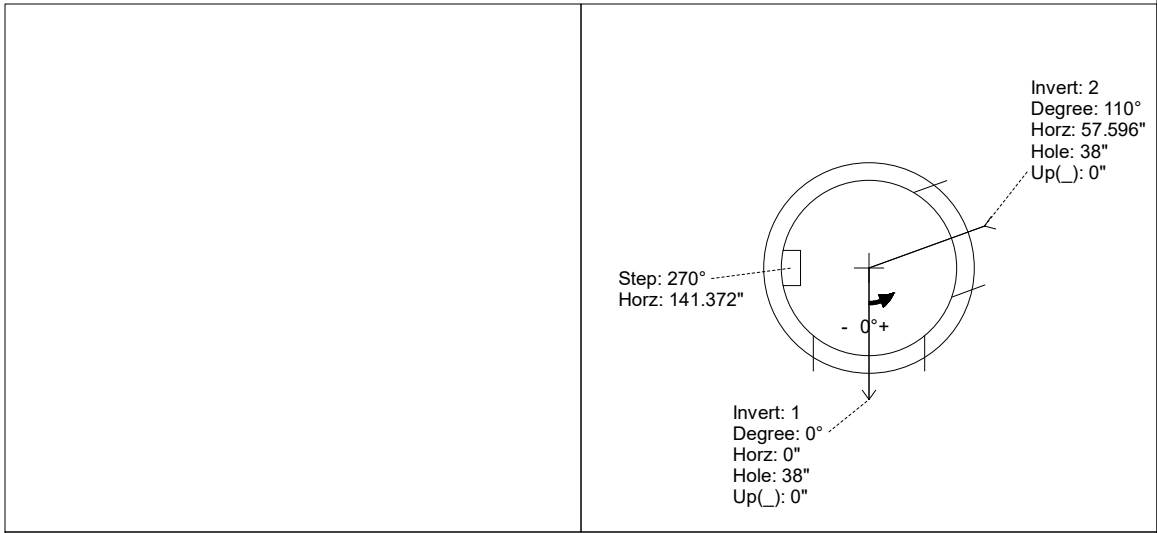
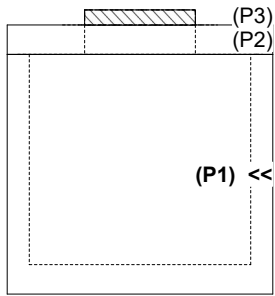
- PER ASTM C-478 SPECIFICATIONS
- CONCRETE: 4,000 PSI AT 28 DAYS
- REINFORCEMENT: PER ASTM A615
- NO STORM INVERT
- STEPS AT 270 DEGREES
- HOE 468 FRAME & GRATE SUPPLIED BY ICAST

Rim: 521.1' Rim to Invert: 5.55' Slack: 0.15" Sump: 2.55" Step Position: 270°

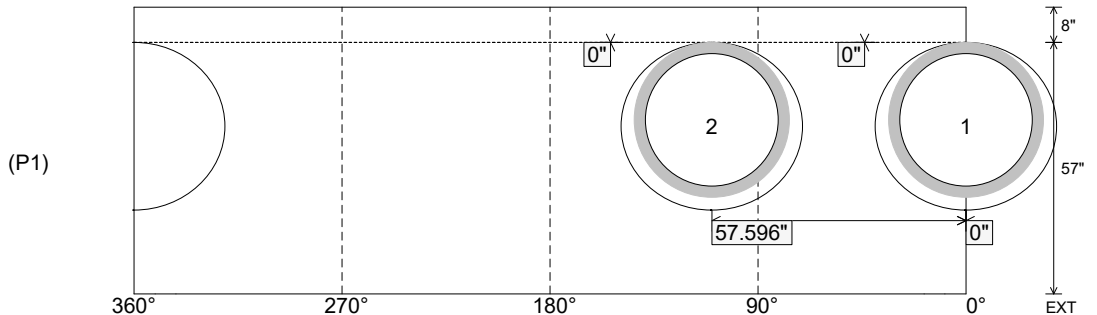
Position	Elev	Angle	Ext. (cw)	Pipe	Pipe OD	Connector	Hole	Horz Size	Up ()	Offset
Invert 1	515.55'	0°	0"	30" HDPE	35.1"	Hole 38	38"	41.151"	0"	0"
Invert 2	515.55'	110°	69.115"	30" HDPE	35.1"	Hole 38	38"	41.151"	0"	0"
Invert 3										
Invert 4										
Invert 5										
Invert 6										
Invert 7										
Invert 8										

RIGHT-SIDE UP VIEW (int. dimensions)

UPSIDE-DOWN VIEW (int. dimenions)



INSIDE WALL DIMENSIONS



Coating (Int):	Seam Up: Flat	Wall Thickness: 6"	Height (Int): 57"	Weight (Net): 7464 lb
Coating (Ext):	Seam Dn: n/a	Floor Height: 8"	Height (Ext): 65"	Volume (Net): 1.91cu.yd