

**Job Name: 25-0209 Garrison Gardens**  
**Job Location: Bowling Green, KY**  
**Contractor: Scotty's Contracting & Stone, LLC**

PC: Celina Goff  
 TECH: J. Horsley - A  
 Plant: 100



Structure ID: **CB 1-6**  
 Spec: Storm  
 Type: STM.MH  
 Size: 60"

Rim: 515.71'  
 Invert: 509.47'  
 Rim to Invert: 6.24'

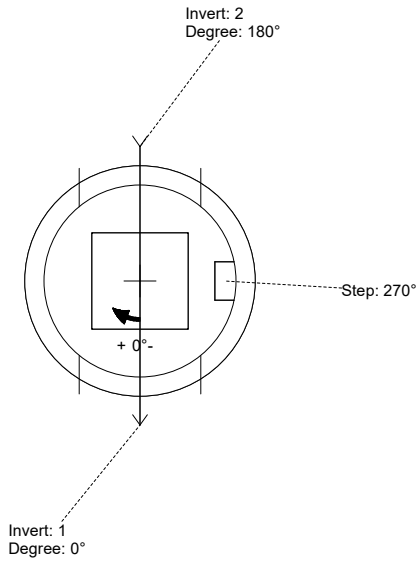
Sump: 2.55"  
 Floor (Top): 509.258'  
 Floor Height: 8"

Floor (Bot): 508.591'  
 Overall Height: 7.083'  
 Slack: 0.43"

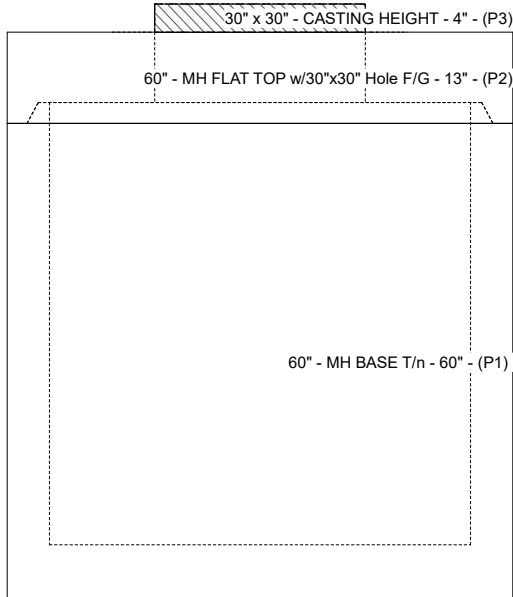
- Structure Notes:**
- PER ASTM C-478 SPECIFICATIONS
  - CONCRETE: 4,000 PSI AT 28 DAYS
  - REINFORCEMENT:
    - FLAT LID: #5 BAR @ 6" C.C. E.W. (GRADE 60)
    - BASE: PER ASTM A615
  - NO STORM INVERT
  - STEPS AT 270 DEGREES
  - HOE 468 FRAME & GRATE SUPPLIED BY ICAST

**STRUCTURE SUMMARY:**

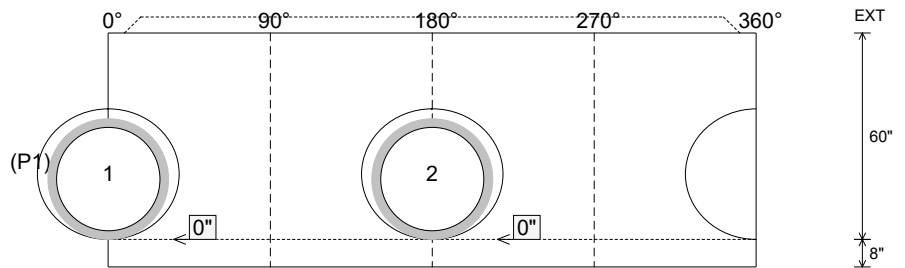
- P3) 30" x 30" - CASTING HEIGHT - 4" 0 lb
  - P2) 60" - MH FLAT TOP w/30"x30" Hole F/G - 13" 2400 lb
  - P1) 60" - MH BASE T/n - 60" 7777 lb
  - 1) CASTING - HOE 468 F/G 489 lb
  - 1) 60" - Conseal CS-102 1.00" 0 lb
  - 1) 30" x 30" - Conseal CS-102 1.00" 0 lb
  - 2) Hole - 38 0 lb
  - 5) MH Step ML-10-TDS-NCR - 10" 0 lb
- Structure Total: **10666 lb**



| Position | Elev    | Angle | Pipe     | Pipe OD | Hole | Connector | Up ( ) | Ref |
|----------|---------|-------|----------|---------|------|-----------|--------|-----|
| Rim      | 515.71' |       |          |         |      |           |        |     |
| Reducer  |         |       |          |         |      |           |        |     |
| Invert 1 | 509.47' | 0°    | 30" HDPE | 35.1"   | 38"  | Hole 38   | 0"     | P1  |
| Invert 2 | 509.47' | 180°  | 30" HDPE | 35.1"   | 38"  | Hole 38   | 0"     | P1  |
| Invert 3 |         |       |          |         |      |           |        |     |
| Invert 4 |         |       |          |         |      |           |        |     |
| Invert 5 |         |       |          |         |      |           |        |     |
| Invert 6 |         |       |          |         |      |           |        |     |
| Invert 7 |         |       |          |         |      |           |        |     |
| Invert 8 |         |       |          |         |      |           |        |     |



**Cast (Int. Dim.) - Interior Dimensions**



Submittal Drawing  
 1/23/2026 12:27:29 PM

SUBMITTAL  
 APPROVED BY: