

**Job Name: 25-0209 Garrison Gardens**  
**Job Location: Bowling Green, KY**  
**Contractor: Scotty's Contracting & Stone, LLC**

PC: Celina Goff  
 TECH: J. Horsley - A  
 Plant: 100



Structure ID: **CB 1-5**  
 Spec: Storm  
 Type: STM.MH  
 Size: 60"

Rim: 515.5'  
 Invert: 508.48'  
 Rim to Invert: 7.02'

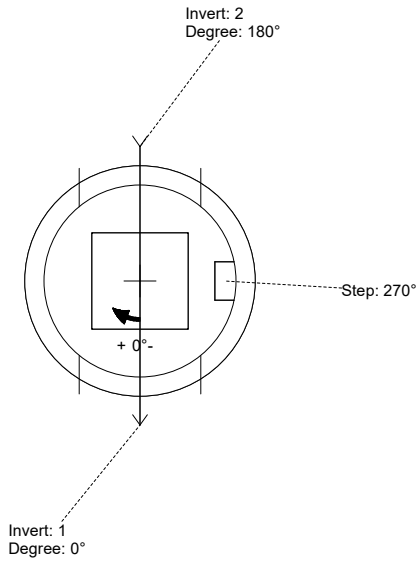
Sump: 2.55"  
 Floor (Top): 508.268'  
 Floor Height: 8"

Floor (Bot): 507.601'  
 Overall Height: 7.833'  
 Slack: 0.79"

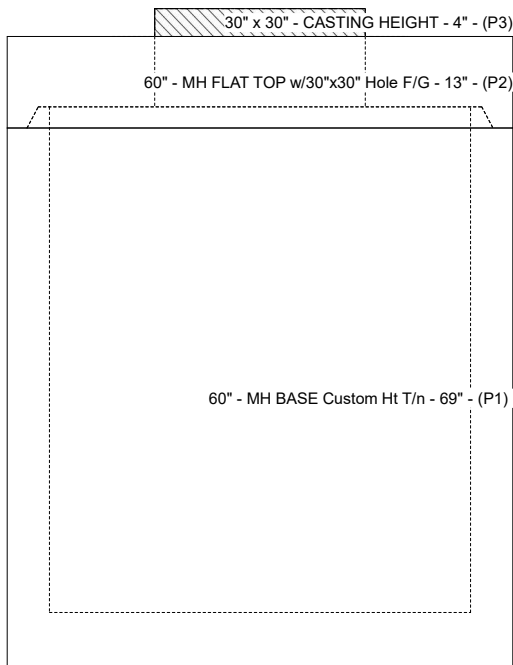
- Structure Notes:**
- PER ASTM C-478 SPECIFICATIONS
  - CONCRETE: 4,000 PSI AT 28 DAYS
  - REINFORCEMENT:
    - FLAT LID: #5 BAR @ 6" C.C. E.W. (GRADE 60)
    - BASE: PER ASTM A615
  - NO STORM INVERT
  - STEPS AT 270 DEGREES
  - HOE 468 FRAME & GRATE SUPPLIED BY ICAST

**STRUCTURE SUMMARY:**

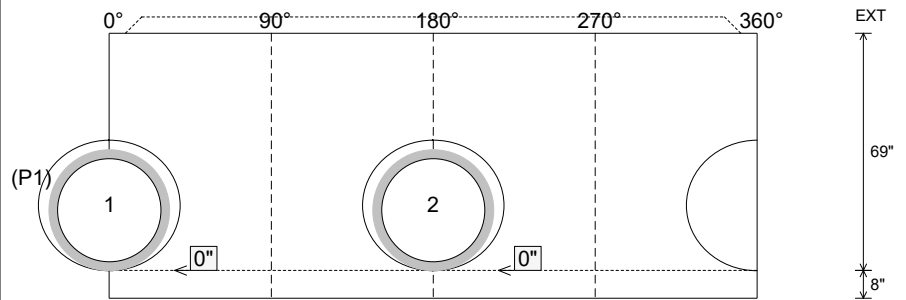
- P3) 30" x 30" - CASTING HEIGHT - 4" 0 lb
  - P2) 60" - MH FLAT TOP w/30"x30" Hole F/G - 13" 2400 lb
  - P1) 60" - MH BASE Custom Ht T/n - 69" 8716 lb
  - 1) CASTING - HOE 468 F/G 489 lb
  - 1) 60" - Conseal CS-102 1.00" 0 lb
  - 1) 30" x 30" - Conseal CS-102 1.00" 0 lb
  - 2) Hole - 38 0 lb
  - 6) MH Step ML-10-TDS-NCR - 10" 0 lb
- Structure Total: **11605 lb**



Position	Elev	Angle	Pipe	Pipe OD	Hole	Connector	Up ( )	Ref
Rim	515.5'							
Reducer								
Invert 1	508.48'	0°	30" HDPE	35.1"	38"	Hole 38	0"	P1
Invert 2	508.48'	180°	30" HDPE	35.1"	38"	Hole 38	0"	P1
Invert 3								
Invert 4								
Invert 5								
Invert 6								
Invert 7								
Invert 8								



**Cast (Int. Dim.) - Interior Dimensions**



Submittal Drawing  
 1/23/2026 12:27:28 PM

SUBMITTAL  
 APPROVED BY: