

Job Name: 25-0209 Garrison Gardens
 Job Location: Bowling Green, KY
 Contractor: Scotty's Contracting & Stone, LLC

Plant: 100
 1/23/2026 4:36:11 PM

Tech: J. Horsley - A
 PC: Celina Goff



Structure ID: CB 1-5

P2 MH060LD13-30SQ

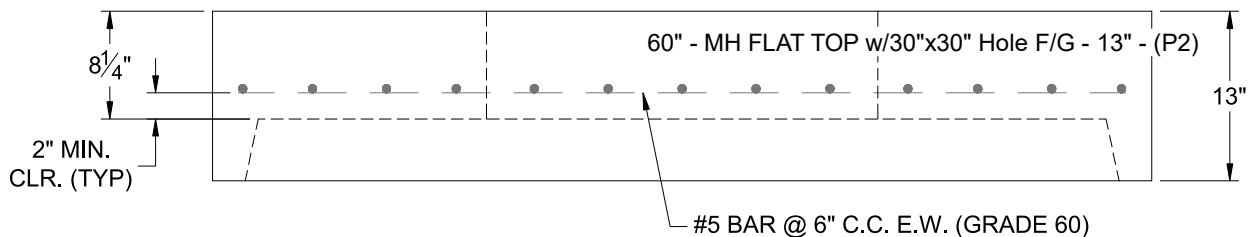
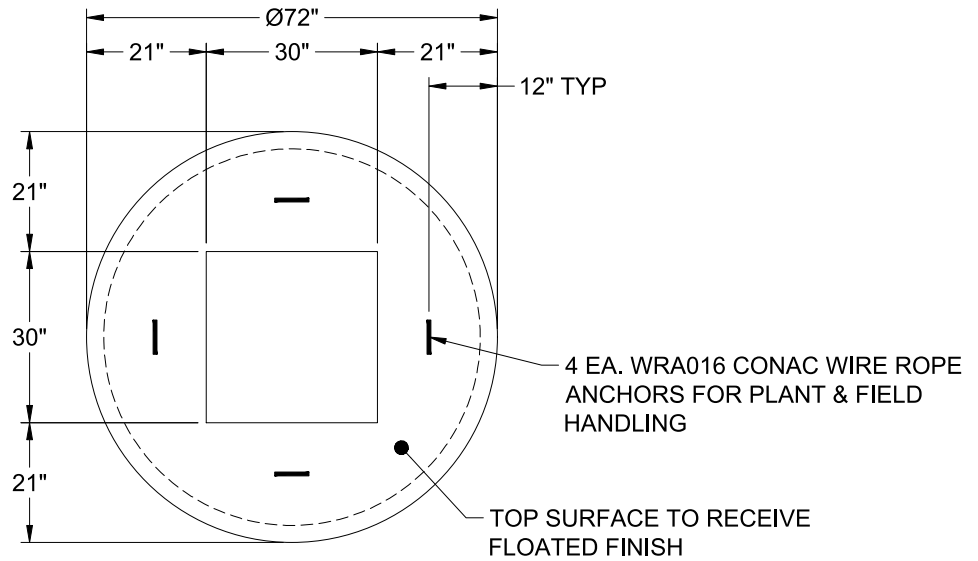
MH FLAT TOP w/30"x30" Hole F/G

- P3) 30" x 30" - CASTING HEIGHT - 4"
- P2) 60" - MH FLAT TOP w/30"x30" Hole F/G - 13"
- P1) 60" - MH BASE Custom Ht T/n - 69"
- 1) CASTING - HOE 468 F/G
- 1) 60" - Conseal CS-102 1.00"
- 1) 30" x 30" - Conseal CS-102 1.00"
- 2) Hole - 38
- 6) MH Step ML-10-TDS-NCR - 10"

0 lb
 2400 lb
 8716 lb
 489 lb
 0 lb
 0 lb
 0 lb
 0 lb

 Structure Total: 11605 lb

- Structure Notes:**
1. PER ASTM C-478 SPECIFICATIONS
 2. CONCRETE: 4,000 PSI AT 28 DAYS
 3. REINFORCEMENT: #5 BAR @ 6" C.C. E.W. (GRADE 60) - 2" MIN. REBAR CLEARANCE (TYP)
 4. HOE 468 FRAME & GRATE SUPPLIED BY ICAST
 5. LIFTERS: 4 EA. WRA016 CONAC WIRE ROPE ANCHORS FOR PLANT & FIELD HANDLING
 6. TOP SURFACE TO RECEIVE FLOATED FINISH



Coating (Int):
 Coating (Ext):

Seam Up: Flat
 Seam Dn: Groove

Wall Thickness: 6"

Height (Ext): 13"

Weight (Net): 2400 lb
 Volume (Net): 0.61cu.yd