

Job Name: 25-0209 Garrison Gardens
Job Location: Bowling Green, KY
Contractor: Scotty's Contracting & Stone, LLC

PC: Celina Goff
 TECH: J. Horsley - A
 Plant: 100



Structure ID: **CB 1-4**
 Spec: Storm
 Type: STM.MH
 Size: 60"

Rim: 512.5'
 Invert: 506.68'
 Rim to Invert: 5.82'

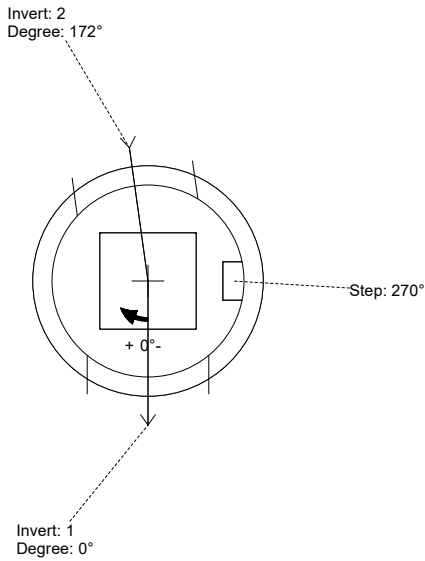
Sump: 2.55"
 Floor (Top): 506.468'
 Floor Height: 8"

Floor (Bot): 505.801'
 Overall Height: 6.667'
 Slack: 0.39"

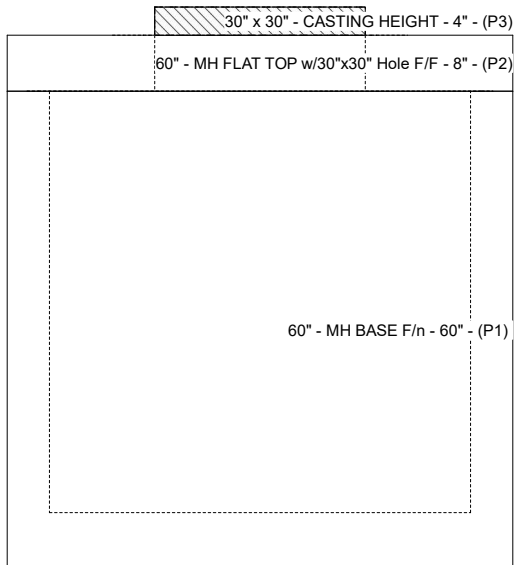
- Structure Notes:**
- PER ASTM C-478 SPECIFICATIONS
 - CONCRETE: 4,000 PSI AT 28 DAYS
 - REINFORCEMENT:
 - FLAT LID: #5 BAR @ 6" C.C. E.W. (GRADE 60)
 - BASE: PER ASTM A615
 - NO STORM INVERT
 - STEPS AT 270 DEGREES
 - HOE 468 FRAME & GRATE SUPPLIED BY ICAST

STRUCTURE SUMMARY:

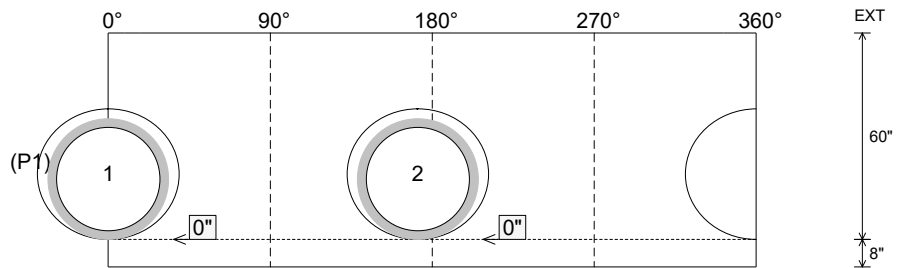
- P3) 30" x 30" - CASTING HEIGHT - 4" 0 lb
 - P2) 60" - MH FLAT TOP w/30"x30" Hole F/F - 8" 2239 lb
 - P1) 60" - MH BASE F/n - 60" 7777 lb
 - 1) CASTING - HOE 468 F/G 489 lb
 - 1) 60" - Conseal CS-102 1.00" 0 lb
 - 1) 30" x 30" - Conseal CS-102 1.00" 0 lb
 - 2) Hole - 38 0 lb
 - 5) MH Step ML-10-TDS-NCR - 10" 0 lb
- Structure Total: 10505 lb**



Position	Elev	Angle	Pipe	Pipe OD	Hole	Connector	Up ()	Ref
Rim	512.5'							
Reducer								
Invert 1	506.68'	0°	30" HDPE	35.1"	38"	Hole 38	0"	P1
Invert 2	506.68'	172°	30" HDPE	35.1"	38"	Hole 38	0"	P1
Invert 3								
Invert 4								
Invert 5								
Invert 6								
Invert 7								
Invert 8								



Cast (Int. Dim.) - Interior Dimensions



Submittal Drawing
 1/23/2026 12:27:28 PM

SUBMITTAL
 APPROVED BY: