

Job Name: 25-0209 Garrison Gardens Job Location: Bowling Green, KY Contractor: Scotty's Contracting & Stone, LLC	Plant: 100 1/23/2026 4:31:57 PM	Tech: J. Horsley - A PC: Celina Goff	
--	------------------------------------	---	--

**Structure ID: CB 1-4**

**P1 MH060BA60**

**MH BASE F/n**

P3) 30" x 30" - CASTING HEIGHT - 4"	0 lb
P2) 60" - MH FLAT TOP w/30"x30" Hole F/F - 8"	2239 lb
P1) 60" - MH BASE F/n - 60"	7777 lb
1) CASTING - HOE 468 F/G	489 lb
1) 60" - Conseal CS-102 1.00"	0 lb
1) 30" x 30" - Conseal CS-102 1.00"	0 lb
2) Hole - 38	0 lb
5) MH Step ML-10-TDS-NCR - 10"	0 lb
<b>Structure Total:</b>	<b>10505 lb</b>

**Structure Notes:**

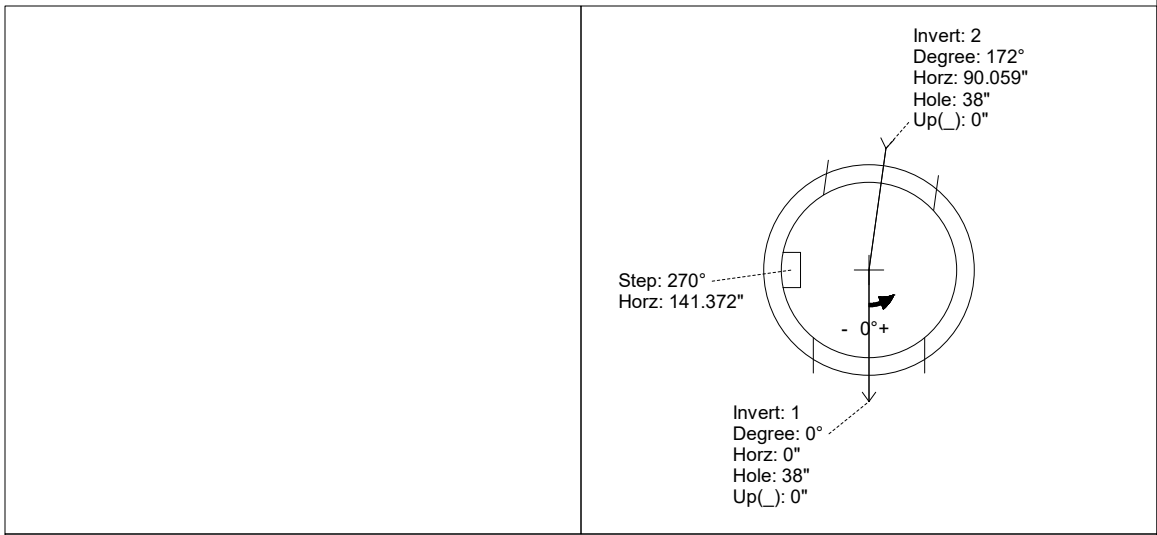
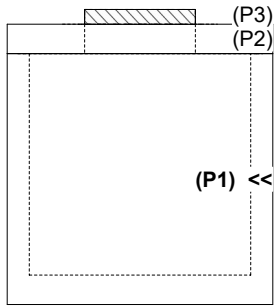
- PER ASTM C-478 SPECIFICATIONS
- CONCRETE: 4,000 PSI AT 28 DAYS
- REINFORCEMENT: PER ASTM A615
- NO STORM INVERT
- STEPS AT 270 DEGREES
- HOE 468 FRAME & GRATE SUPPLIED BY ICAST

Rim: 512.5'    Rim to Invert: 5.82'    Slack: 0.39"    Sump: 2.55"    Step Position: 270°

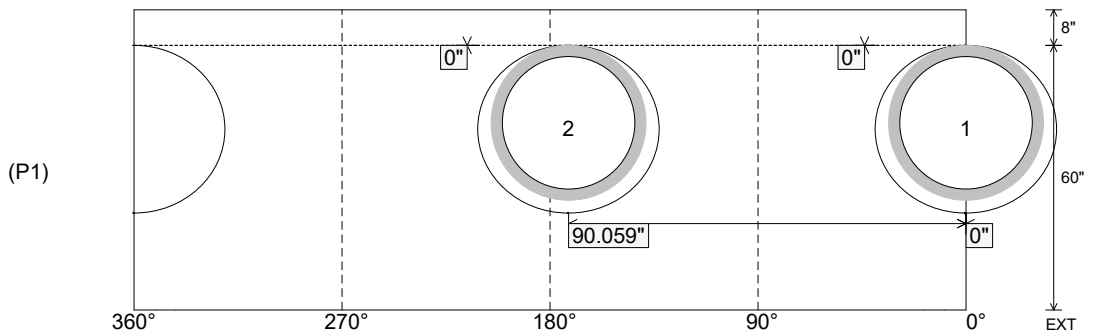
Position	Elev	Angle	Ext. (cw)	Pipe	Pipe OD	Connector	Hole	Horz Size	Up ( )	Offset
Invert 1	506.68'	0°	0"	30" HDPE	35.1"	Hole 38	38"	41.151"	0"	0"
Invert 2	506.68'	172°	108.071"	30" HDPE	35.1"	Hole 38	38"	41.151"	0"	0"
Invert 3										
Invert 4										
Invert 5										
Invert 6										
Invert 7										
Invert 8										

RIGHT-SIDE UP VIEW (int. dimensions)

UPSIDE-DOWN VIEW (int. dimensions)



INSIDE WALL DIMENSIONS



Coating (Int): Coating (Ext):	Seam Up: Flat Seam Dn: n/a	Wall Thickness: 6" Floor Height: 8"	Height (Int): 60" Height (Ext): 68"	Weight (Net): 7777 lb Volume (Net): 1.99cu.yd
----------------------------------	-------------------------------	--	--	--