

Job Name: 25-0209 Garrison Gardens
Job Location: Bowling Green, KY
Contractor: Scotty's Contracting & Stone, LLC

PC: Celina Goff
 TECH: J. Horsley - A
 Plant: 100



Structure ID: **CB 1-3**

Spec: Storm
 Type: STM.MH
 Size: 60"

Rim: 509.32'
 Invert: 499.08'
 Rim to Invert: 10.24'

Sump: 2.55"
 Floor (Top): 498.868'
 Floor Height: 8"

Floor (Bot): 498.201'
 Overall Height: 11.083'
 Slack: 0.43"

Structure Notes:

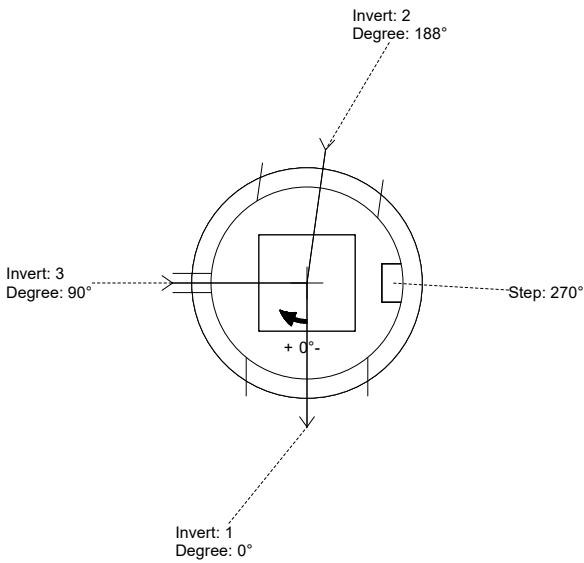
1. PER ASTM C-478 SPECIFICATIONS
2. CONCRETE: 4,000 PSI AT 28 DAYS
3. REINFORCEMENT:
 - FLAT LID: #5 BAR @ 6" C.C. E.W. (GRADE 60)
 - BASE & RISERS: PER ASTM A615
4. NO STORM INVERT
5. STEPS AT 270 DEGREES
6. HOE 468 FRAME & GRATE SUPPLIED BY ICAST

STRUCTURE SUMMARY:

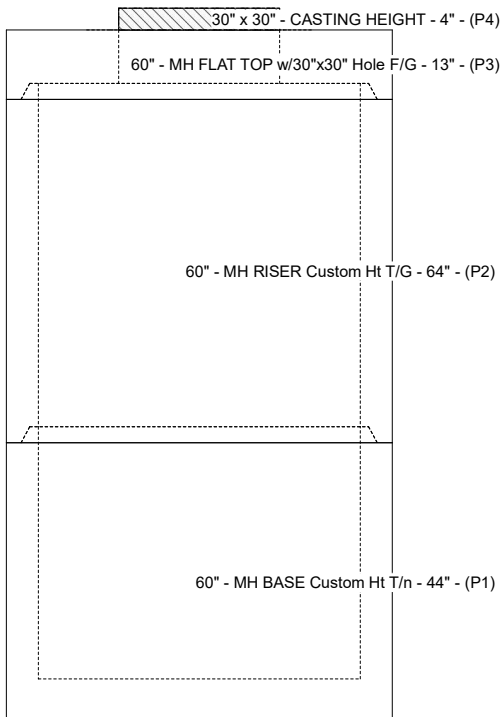
- P4) 30" x 30" - CASTING HEIGHT - 4"
 - P3) 60" - MH FLAT TOP w/30"x30" Hole F/G - 13"
 - P2) 60" - MH RISER Custom Ht T/G - 64"
 - P1) 60" - MH BASE Custom Ht T/n - 44"
- 1) CASTING - HOE 468 F/G
 - 2) 60" - Conseal CS-102 1.00"
- 1) 30" x 30" - Conseal CS-102 1.00"
 - 2) Hole - 38
 - 1) Hole - 6
 - 3) MH Step ML-10-TDS-NCR - 10"

0 lb
 2400 lb
 6057 lb
 6717 lb
 489 lb
 0 lb
 0 lb
 0 lb
 0 lb
 0 lb
 0 lb

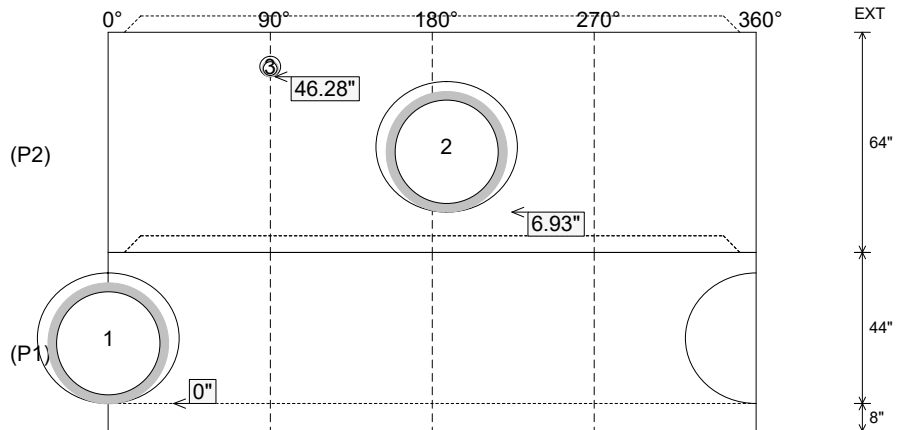
Structure Total: 15662 lb



Position	Elev	Angle	Pipe	Pipe OD	Hole	Connector	Up (L)	Ref
Rim	509.32'							
Reducer								
Invert 1	499.08'	0°	30" HDPE	35.1"	38"	Hole 38	0"	P1
Invert 2	503.72'	188°	30" HDPE	35.1"	38"	Hole 38	6.93"	P2
Invert 3	506.82'	90°	4" HDPE (perf pipe)	4.8"	6"	Hole 6	46.28"	P2
Invert 4								
Invert 5								
Invert 6								
Invert 7								
Invert 8								



Cast (Int. Dim.) - Interior Dimensions



Submittal Drawing
 1/23/2026 12:27:27 PM

SUBMITTAL
 APPROVED BY: