

Job Name: 25-0209 Garrison Gardens  
 Job Location: Bowling Green, KY  
 Contractor: Scotty's Contracting & Stone, LLC

Plant: 100  
 1/23/2026 4:36:10 PM

Tech: J. Horsley - A  
 PC: Celina Goff



**Structure ID: CB 1-2**

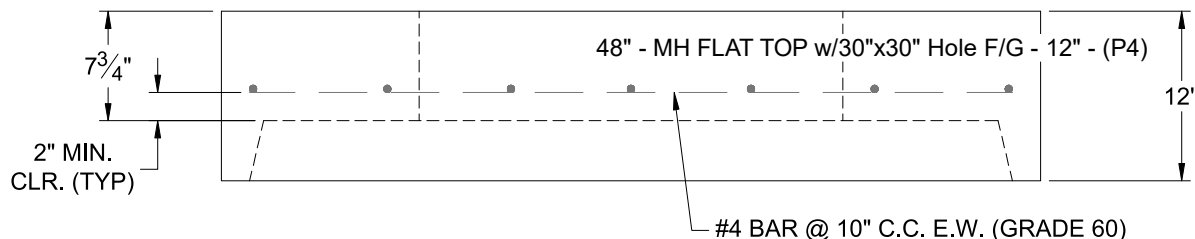
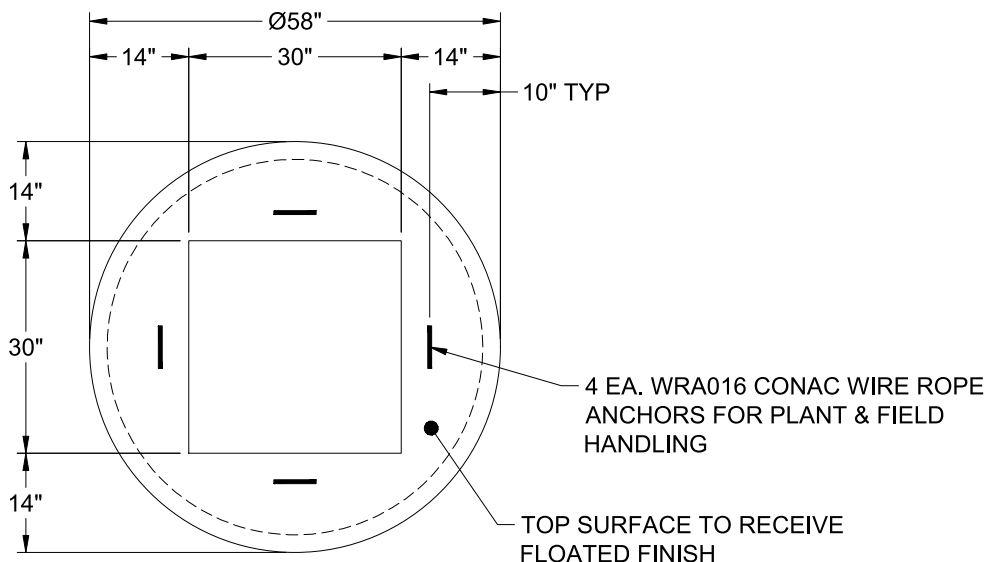
**P4 MH048LD12S**

**MH FLAT TOP w/30"x30" Hole F/G**

- P5) 30" x 30" - CASTING HEIGHT - 4"
- P4) 48" - MH FLAT TOP w/30"x30" Hole F/G - 12"
- P3) 48" - MH RISER SPECIAL T/G - 54"
- P2) 60" - MH Transition Slab 48" Hole T/G - 13"
- P1) 60" - MH BASE T/n - 60"
- 1) CASTING - HOE 468 F/G
- 1) 60" - Conseal CS-102 1.00"
- 2) 48" - Conseal CS-102 1.00"
- 1) 30" x 30" - Conseal CS-102 1.00"
- 1) Hole - 44
- 1) Hole - 38
- 1) Hole - 6
- 10) MH Step ML-10-TDS-NCR - 10"

0 lb  
 1350 lb  
 3760 lb  
 1928 lb  
 7545 lb  
 489 lb  
 0 lb  
 0 lb  
 0 lb  
 0 lb  
 0 lb  
 0 lb  
 0 lb  
 0 lb  
 -----  
 Structure Total: 15073 lb

- Structure Notes:**
1. PER ASTM C-478 SPECIFICATIONS
  2. CONCRETE: 4,000 PSI AT 28 DAYS
  3. REINFORCEMENT: #4 BAR @ 10" C.C. E.W. (GRADE 60) - 2" MIN. REBAR CLEARANCE (TYP)
  4. HOE 468 FRAME & GRATE SUPPLIED BY ICAST
  5. LIFTERS: 4 EA. WRA016 CONAC WIRE ROPE ANCHORS FOR PLANT & FIELD HANDLING
  6. TOP SURFACE TO RECEIVE FLOATED FINISH



Coating (Int):  
 Coating (Ext):

Seam Up: Flat  
 Seam Dn: Groove

Wall Thickness: 5"

Height (Ext): 12"

Weight (Net): 1350 lb  
 Volume (Net): 0.33cu.yd