

Job Name: 25-0209 Garrison Gardens
 Job Location: Bowling Green, KY
 Contractor: Scotty's Contracting & Stone, LLC

Plant: 100
 1/23/2026 4:36:09 PM

Tech: J. Horsley - A
 PC: Celina Goff



Structure ID: CB 1-2

P2 MH060TS13-48ECC

MH Transition Slab 48" Hole T/G

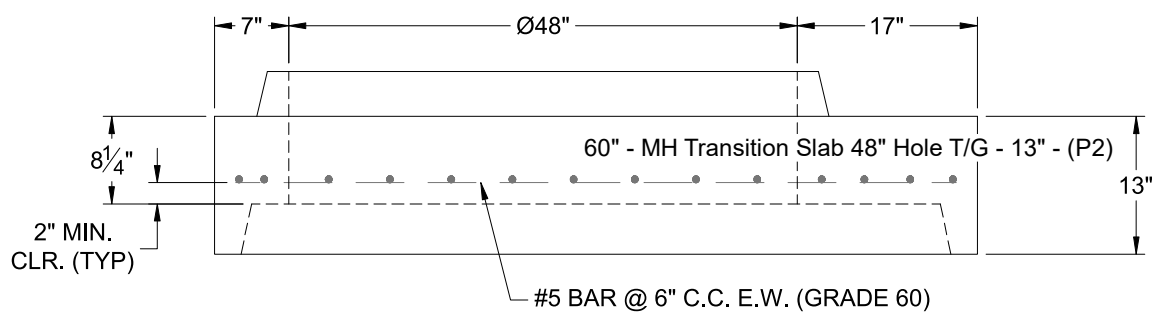
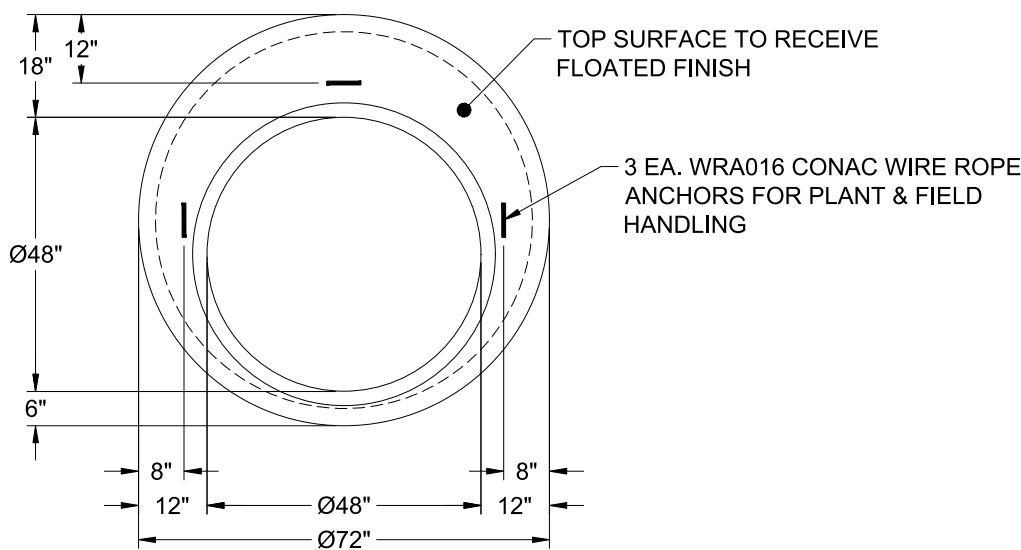
- P5) 30" x 30" - CASTING HEIGHT - 4"
- P4) 48" - MH FLAT TOP w/30"x30" Hole F/G - 12"
- P3) 48" - MH RISER SPECIAL T/G - 54"
- P2) 60" - MH Transition Slab 48" Hole T/G - 13"
- P1) 60" - MH BASE T/n - 60"
- 1) CASTING - HOE 468 F/G
- 1) 60" - Conseal CS-102 1.00"
- 2) 48" - Conseal CS-102 1.00"
- 1) 30" x 30" - Conseal CS-102 1.00"
- 1) Hole - 44
- 1) Hole - 38
- 1) Hole - 6
- 10) MH Step ML-10-TDS-NCR - 10"

0 lb
 1350 lb
 3760 lb
 1928 lb
 7545 lb
 489 lb
 0 lb
 0 lb
 0 lb
 0 lb
 0 lb
 0 lb
 0 lb
 0 lb
 0 lb

 15073 lb

- Structure Notes:**
1. PER ASTM C-478 SPECIFICATIONS
 2. CONCRETE: 4,000 PSI AT 28 DAYS
 3. REINFORCEMENT: #5 BAR @ 6" C.C. E.W. (GRADE 60) - 2" MIN. REBAR CLEARANCE (TYP)
 4. HOE 468 FRAME & GRATE SUPPLIED BY ICAST
 5. LIFTERS: 3 EA. WRA016 CONAC WIRE ROPE ANCHORS FOR PLANT & FIELD HANDLING
 6. TOP SURFACE TO RECEIVE FLOATED FINISH

Structure Total: 15073 lb



Coating (Int): Coating (Ext):	Seam Up: Tongue Seam Dn: Groove	Wall Thickness: 6"	Height (Ext): 13"	Weight (Net): 1928 lb Volume (Net): 0.49cu.yd
----------------------------------	------------------------------------	--------------------	-------------------	--------------------------------------------------