

**Job Name: 25-0209 Garrison Gardens**  
**Job Location: Bowling Green, KY**  
**Contractor: Scotty's Contracting & Stone, LLC**

PC: Celina Goff  
 TECH: J. Horsley - A  
 Plant: 100



Structure ID: **CB 1-10**  
 Spec: Storm  
 Type: STM.MH (Recessed pipe)  
 Size: 60"

Rim: 521.1'  
 Invert: 516.15'  
 Rim to Invert: 4.95'

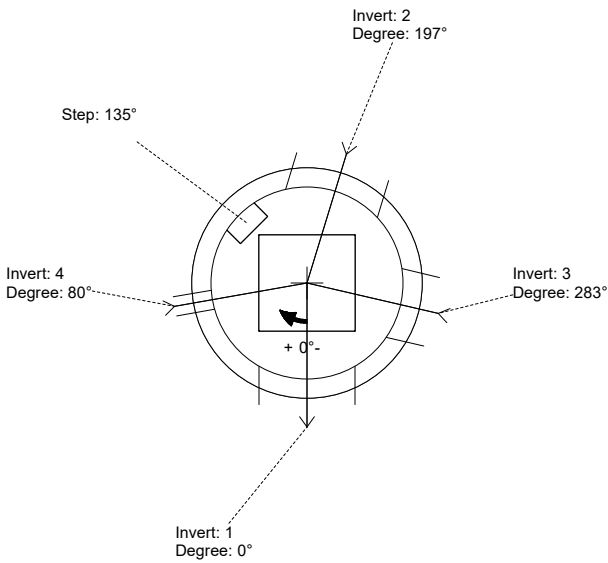
Sump: 0"  
 Floor (Top): 516.15'  
 Floor Height: 8"

Floor (Bot): 515.483'  
 Overall Height: 5.583'  
 Slack: 0.4"

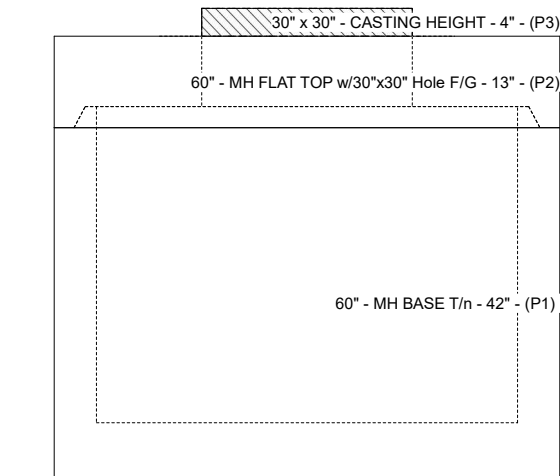
- Structure Notes:**
- PER ASTM C-478 SPECIFICATIONS
  - CONCRETE: 4,000 PSI AT 28 DAYS
  - REINFORCEMENT:
    - FLAT LID: #5 BAR @ 6" C.C. E.W. (GRADE 60)
    - BASE: PER ASTM A615
  - NO STORM INVERT
  - STEPS AT 135 DEGREES
  - HOE 468 FRAME & GRATE SUPPLIED BY ICAST

**STRUCTURE SUMMARY:**

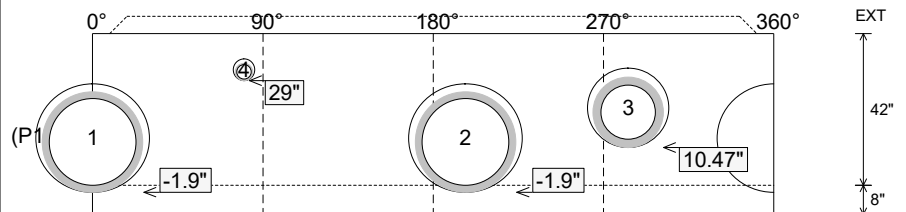
P3) 30" x 30" - CASTING HEIGHT - 4"	0 lb
P2) 60" - MH FLAT TOP w/30"x30" Hole F/G - 13"	2400 lb
P1) 60" - MH BASE T/n - 42"	6168 lb
1) CASTING - HOE 468 F/G	489 lb
1) 60" - Conseal CS-102 1.00"	0 lb
1) 30" x 30" - Conseal CS-102 1.00"	0 lb
2) Hole - 30	0 lb
1) Hole - 22	0 lb
1) Hole - 6	0 lb
4) MH Step ML-10-TDS-NCR - 10"	0 lb
	-----
<b>Structure Total:</b>	<b>9057 lb</b>



Position	Elev	Angle	Pipe	Pipe OD	Hole	Connector	Up (Δ)	Ref
Rim	521.1'							
Reducer								
Invert 1	516.15'	0°	24" HDPE	27.8"	30"	Hole 30	-1.9"	P1
Invert 2	516.15'	197°	24" HDPE	27.8"	30"	Hole 30	-1.9"	P1
Invert 3	517.21'	283°	15" RCP B WALL	19.5"	22"	Hole 22	10.47"	P1
Invert 4	518.6'	80°	4" HDPE (perf pipe)	4.8"	6"	Hole 6	29"	P1
Invert 5								
Invert 6								
Invert 7								
Invert 8								



**Cast (Int. Dim.) - Interior Dimensions**



Submittal Drawing  
 1/23/2026 12:27:31 PM

SUBMITTAL  
 APPROVED BY: