

Job Name: 25-0209 Garrison Gardens
 Job Location: Bowling Green, KY
 Contractor: Scotty's Contracting & Stone, LLC

Plant: 100
 1/23/2026 4:32:01 PM

Tech: J. Horsley - A
 PC: Celina Goff



Structure ID: CB 1-10

P1 MH060BA42

MH BASE T/n

- P3) 30" x 30" - CASTING HEIGHT - 4"
- P2) 60" - MH FLAT TOP w/30"x30" Hole F/G - 13"
- P1) 60" - MH BASE T/n - 42"
- 1) CASTING - HOE 468 F/G
- 1) 60" - Conseal CS-102 1.00"
- 1) 30" x 30" - Conseal CS-102 1.00"
- 2) Hole - 30
- 1) Hole - 22
- 1) Hole - 6
- 4) MH Step ML-10-TDS-NCR - 10"

0 lb
 2400 lb
 6168 lb
 489 lb
 0 lb
 0 lb
 0 lb
 0 lb
 0 lb
 0 lb
 0 lb
 Structure Total: 9057 lb

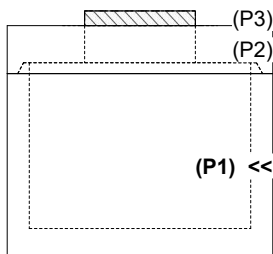
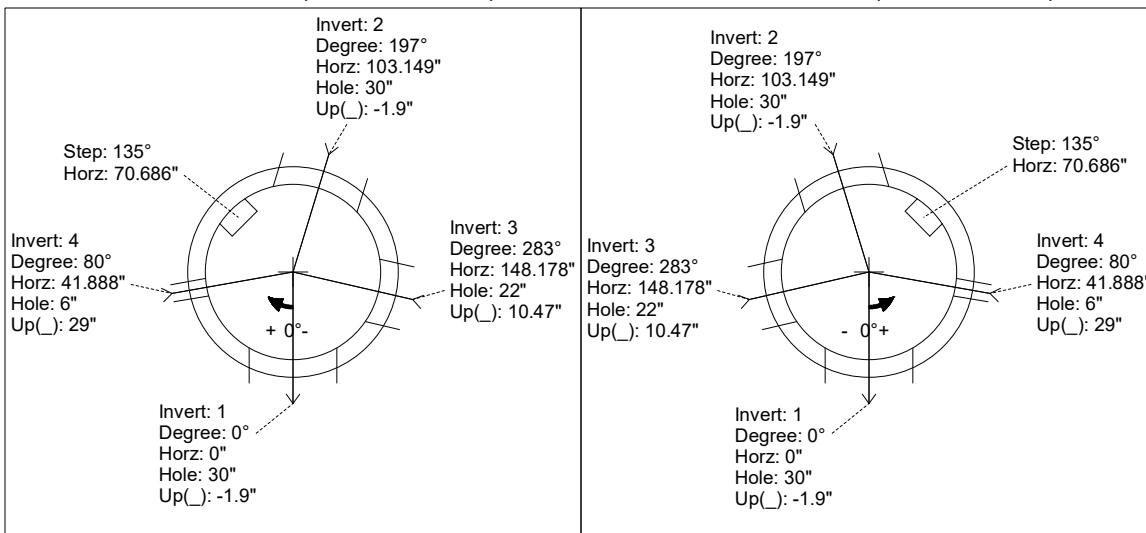
- Structure Notes:**
1. PER ASTM C-478 SPECIFICATIONS
 2. CONCRETE: 4,000 PSI AT 28 DAYS
 3. REINFORCEMENT: PER ASTM A615
 4. NO STORM INVERT
 5. STEPS AT 135 DEGREES
 6. HOE 468 FRAME & GRATE SUPPLIED BY ICAST

Rim: 521.1' Rim to Invert: 4.95' Slack: 0.4" Sump: 0" Step Position: 135°

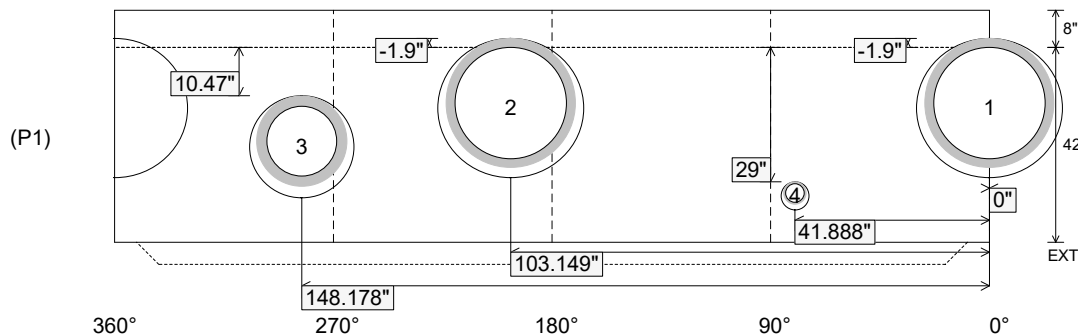
Position	Elev	Angle	Ext. (cw)	Pipe	Pipe OD	Connector	Hole	Horz Size	Up ()	Offset
Invert 1	516.15'	0°	0"	24" HDPE	27.8"	Hole 30	30"	31.416"	-1.9"	0"
Invert 2	516.15'	197°	123.779"	24" HDPE	27.8"	Hole 30	30"	31.416"	-1.9"	0"
Invert 3	517.21'	283°	177.814"	15" RCP B WALL	19.5"	Hole 22	22"	22.525"	10.47"	0"
Invert 4	518.6'	80°	50.265"	4" HDPE (perf pipe)	4.8"	Hole 6	6"	6.01"	29"	0"
Invert 5										
Invert 6										
Invert 7										
Invert 8										

RIGHT-SIDE UP VIEW (int. dimensions)

UPSIDE-DOWN VIEW (int. dimensions)



INSIDE WALL DIMENSIONS



Coating (Int): Coating (Ext):	Seam Up: Tongue Seam Dn: n/a	Wall Thickness: 6" Floor Height: 8"	Height (Int): 42" Height (Ext): 50"	Weight (Net): 6168 lb Volume (Net): 1.58cu.yd
----------------------------------	---------------------------------	--	--	--