

Structure ID: ARV VAULT 1

P1 MH048DHVF

MH DH RISER Custom Ht T/F

- P3) 24" - CASTING HEIGHT - 0"
- P2) 48" - MH FLAT TOP w/ 24" ECC Hole F/G - 12"
- P1) 48" - MH DH RISER Custom Ht T/F - 44"
- 2) DOGHOUSE - 8"x12"
- 4) MH Step ML-10-TDS-NCR - 10"

0 lb
 1561 lb
 2974 lb
 0 lb
 0 lb

 Structure Total: 4535 lb

Structure Notes:

1. PER ASTM C478 SPECIFICATIONS.
2. CONCRETE = 4,000 PSI AT 28 DAYS.
3. HOE MCS-290 BY ICAST (CAST-IN FLAT LID)

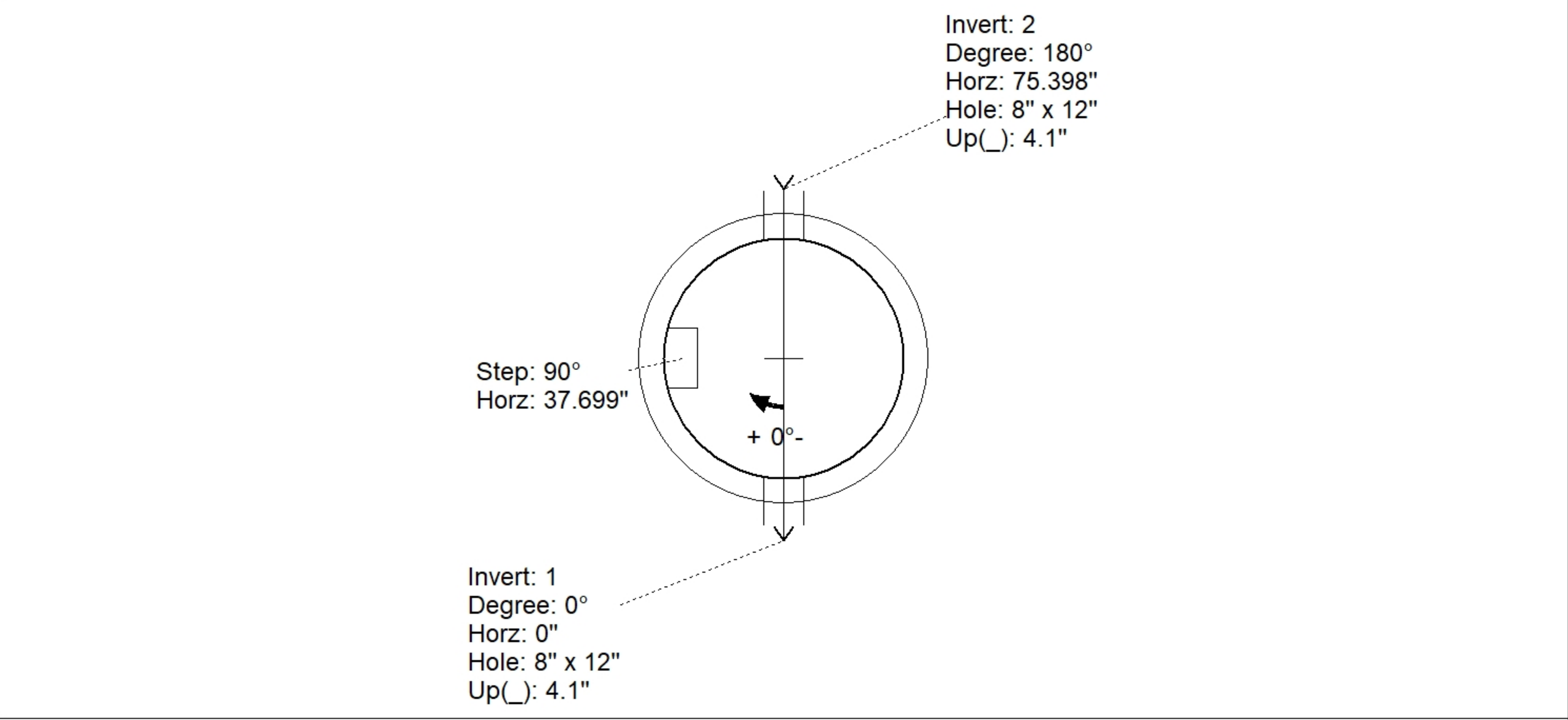
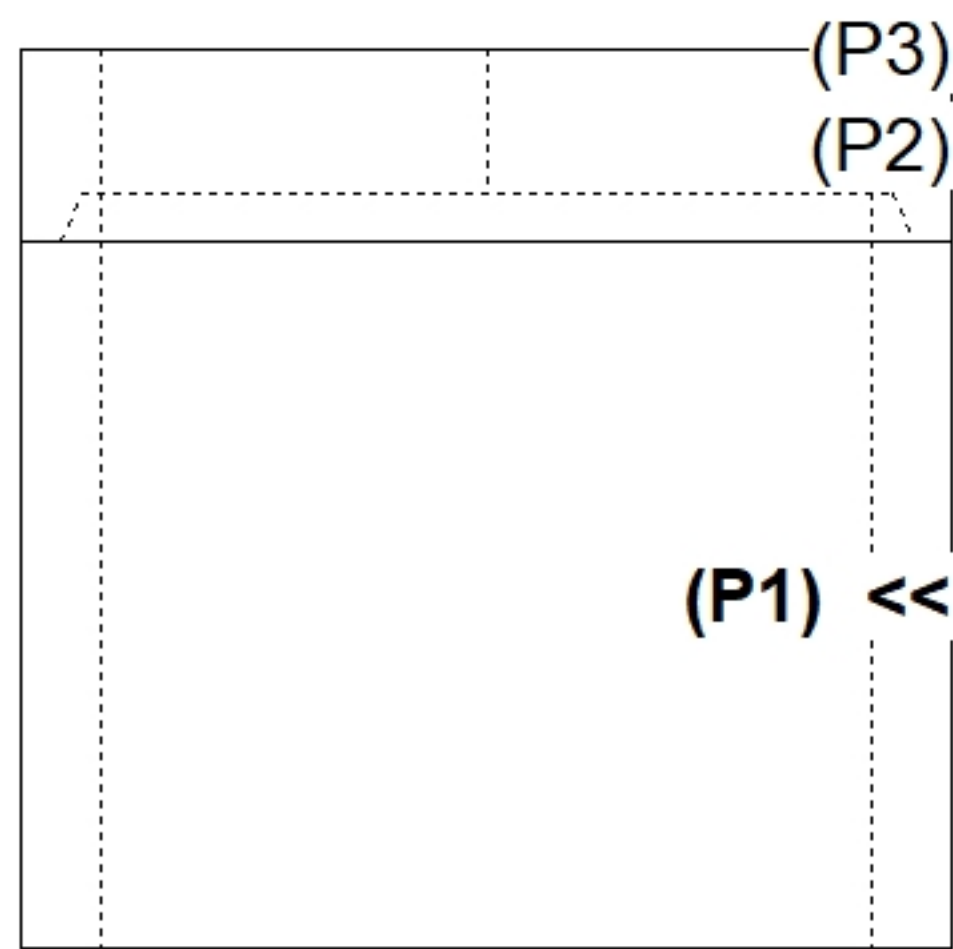
REINFORCING PER ASTM A615 (GRADE 60).

- TOP SLAB (As .62) #5 BARS AT 6" C.C.E.W.
- RISER (As .12)

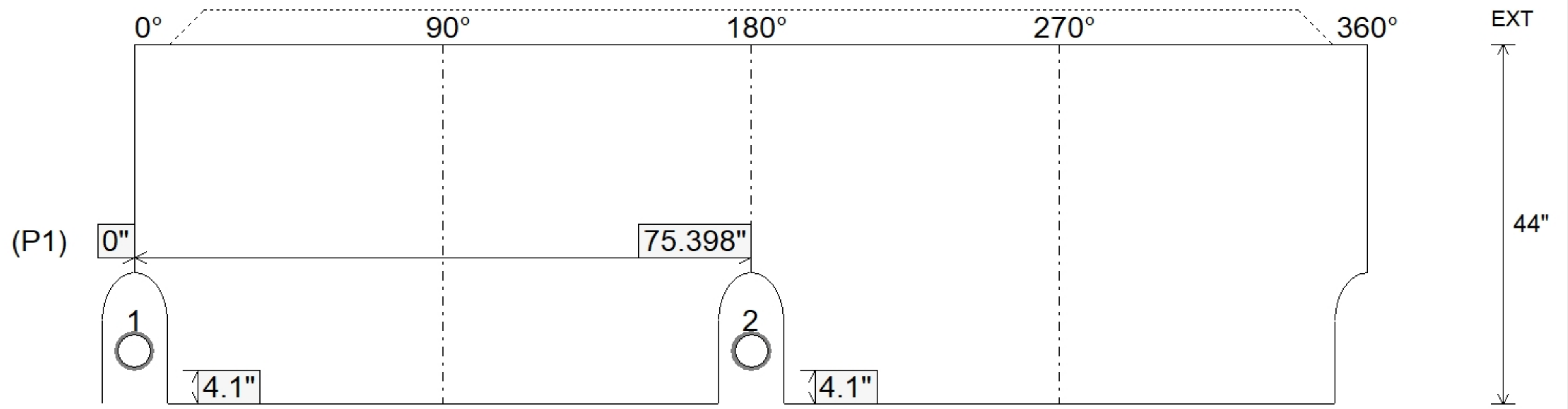
Rim: 4.5' Rim to Invert: 4.5' Slack: 2.5" Sump: 0" Step Position: 90°

| Position | Elev | Angle | Ext. (cw) | Pipe | Pipe OD | Connector | Hole | Horz Size | Up () | Offset |
|----------|------|-------|-----------|---------|---------|-----------------|----------|-----------|--------|--------|
| Invert 1 | 0' | 0° | 0" | 4" HDPE | 4.8" | DOGHOUSE 8"x12" | 8" x 12" | 8.038" | 4.1" | 0" |
| Invert 2 | 0' | 180° | 91.106" | 4" HDPE | 4.8" | DOGHOUSE 8"x12" | 8" x 12" | 8.038" | 4.1" | 0" |
| Invert 3 | | | | | | | | | | |
| Invert 4 | | | | | | | | | | |
| Invert 5 | | | | | | | | | | |
| Invert 6 | | | | | | | | | | |
| Invert 7 | | | | | | | | | | |
| Invert 8 | | | | | | | | | | |

RIGHT-SIDE UP VIEW (int. dimensions)



INSIDE WALL DIMENSIONS



| | | | |
|----------------|----------------------------------|--|--|
| Coating (Int): | Seam Up: Tongue Seam Dn: Flat | Wall Thickness: 5" Floor Height: 0" | Height (Int): 44" Height (Ext): 44" |
| Coating (Ext): | | | Weight (Net): 2974 lb Volume (Net): 0.76cu.yd |