

Job Name: 25-0202 Bedford GM ARV
Job Location: Bedford, IN
Contractor: Deig Bros Lumber & Construction Co, Inc.

PC: E.Bradley
 TECH: C.Russ
 Plant: Beaver Dam



Structure ID: ARV VAULT OPT 2

Spec: Storm
 Type: BX 8inW, (Open Btm)
 Size: 72" x 72"

Rim: 4.5'
 Invert: 0'
 Rim to Invert: 4.5'

Sump: 4.5"
 Floor (Top): -0.375'
 Floor Height: 0"

Floor (Bot): -0.375'
 Overall Height: 4.667'
 Slack: 2.5"

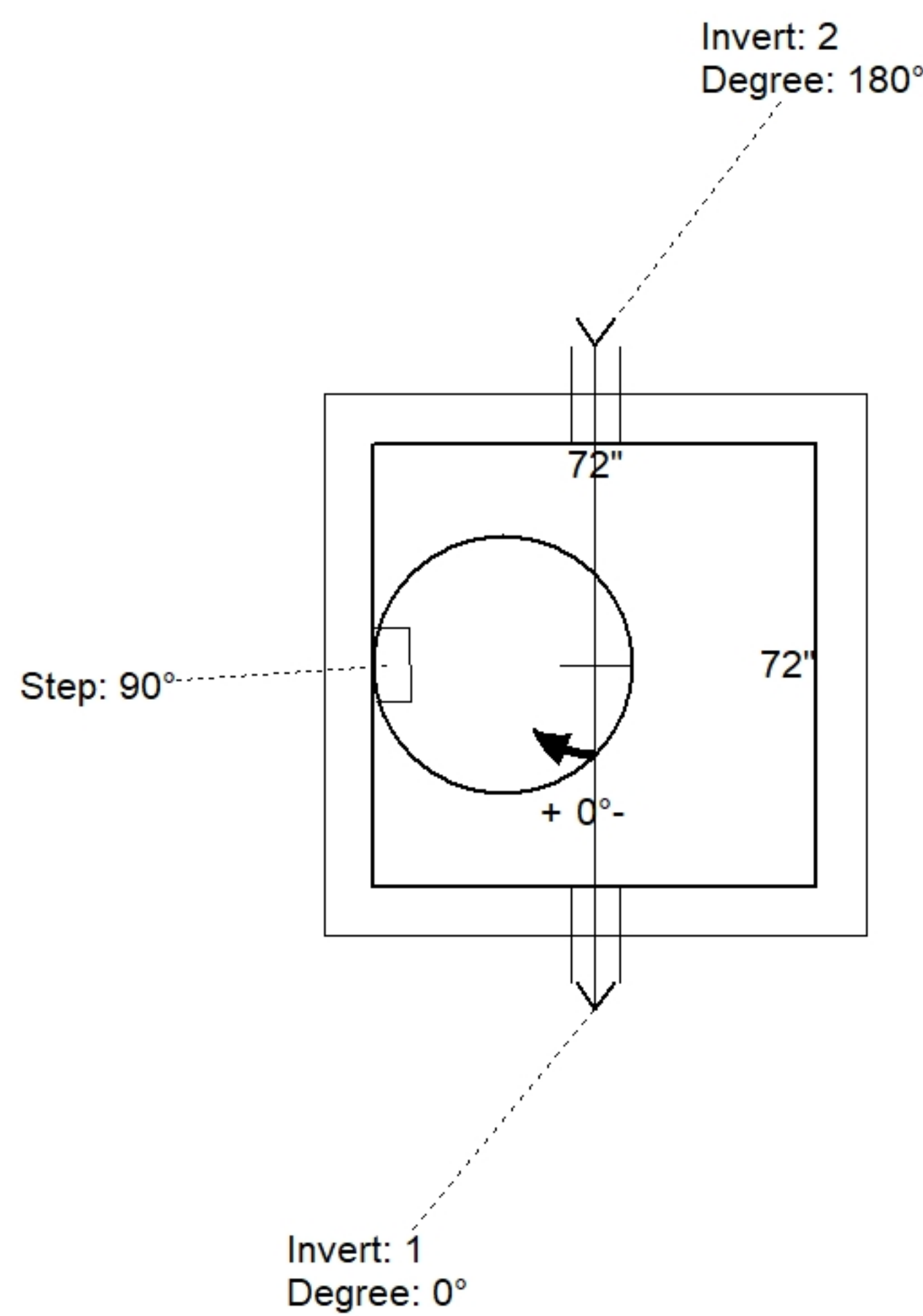
Structure Notes:

1. PER ASTM C913 SPECIFICATIONS.
2. CONCRETE = 4,000 PSI AT 28 DAYS.
3. NO INVERT CHANNEL.
4. HOE EJ-1986 BY ICAST

REINFORCING PER ASTM A615 (GRADE 60).
 - TOP SLAB (As .62) #5 BARS AT 6" C.C.E.W.
 - WALLS (As 31) #5 BARS AT 12" C.C.E.W.

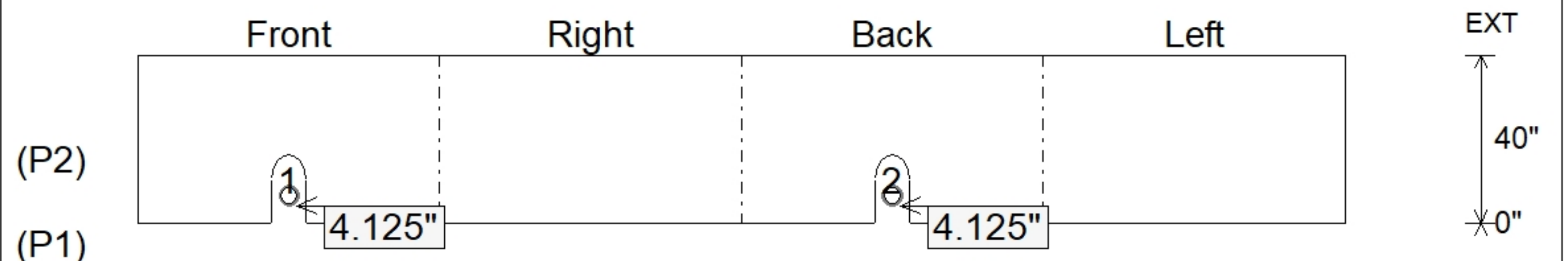
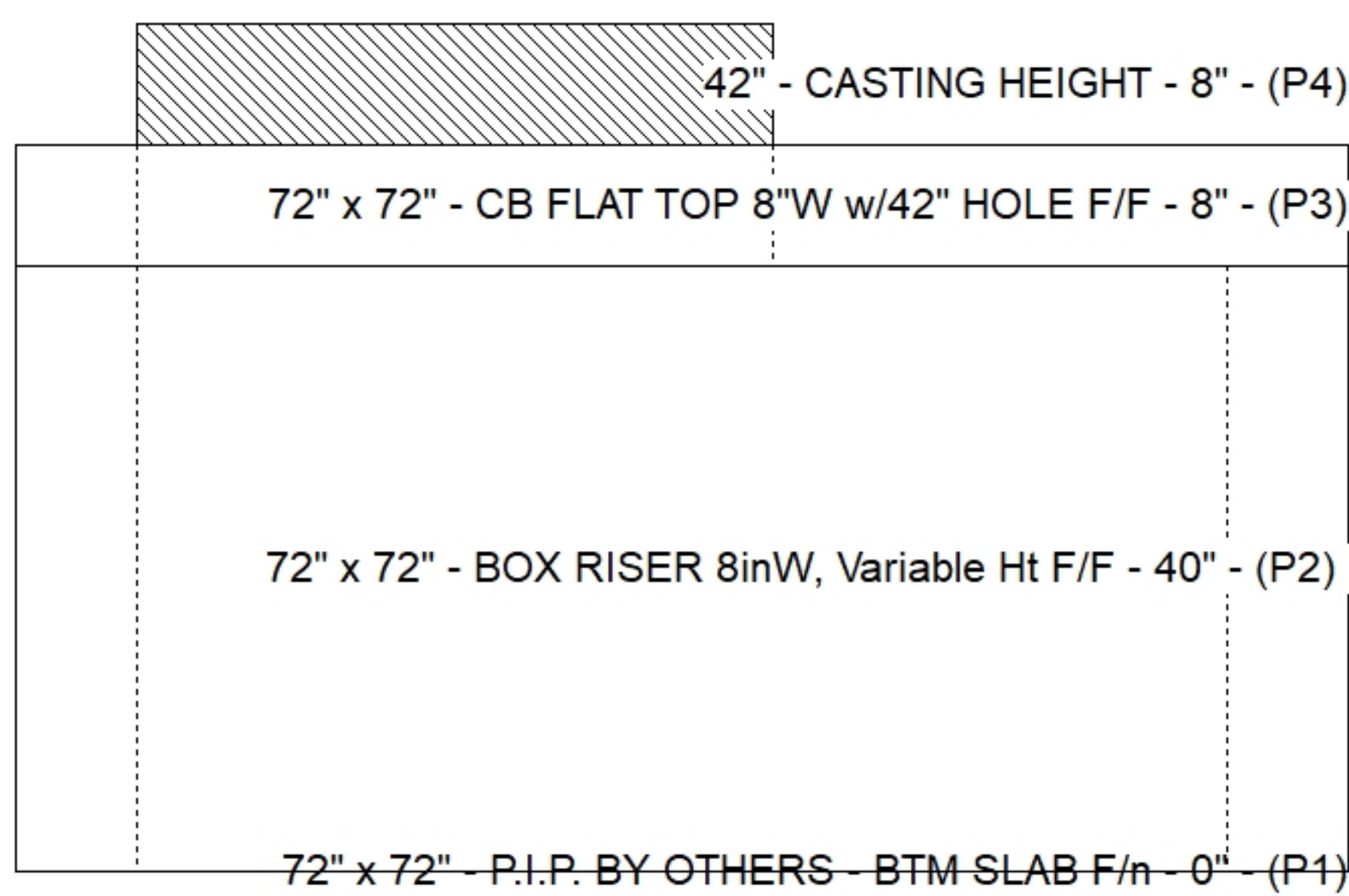
STRUCTURE SUMMARY:

P4) 42" - CASTING HEIGHT - 8"	0 lb
P3) 72" x 72" - CB FLAT TOP 8"W w/42" HOLE F/F - 8"	4268 lb
P2) 72" x 72" - BOX RISER 8inW, Variable Ht F/F - 40"	8433 lb
P1) 72" x 72" - P.I.P. BY OTHERS - BTM SLAB F/n - 0"	0 lb
2) DOGHOUSE - 8"x12"	0 lb
3) MH Step ML-10-TDS-NCR - 10"	0 lb
Structure Total:	12702 lb



Position	Elev	Angle	Pipe	Pipe OD	Hole	Connector	Up ()	Ref
Rim	4.5'							
Reducer								
Invert 1	0'	0°	4" HDPE	4.8"	8" x 12"	DOGHOUSE 8"x12"	4.125"	P2
Invert 2	0'	180°	4" HDPE	4.8"	8" x 12"	DOGHOUSE 8"x12"	4.125"	P2
Invert 3								
Invert 4								
Invert 5								
Invert 6								
Invert 7								
Invert 8								

Cast (Int. Dim.) - Interior Dimensions



Submittal Drawing
 10/16/2025 7:57:28 PM

SUBMITTAL
 APPROVED BY: