

Job Name: 25-0202 Bedford GM ARV
Job Location: Bedford, IN
Contractor: Deig Bros Lumber & Construction Co, Inc.

PC: E.Bradley
 TECH: C.Russ
 Plant: Beaver Dam



Structure ID: ARV VAULT 1

Spec: Storm
 Type: STM.MH Doghouse
 Size: 48"

Rim: 4.5'
 Invert: 0'
 Rim to Invert: 4.5'

Sump: 0"
 Floor (Top): -0.375'
 Floor Height: 0"

Floor (Bot): -0.375'
 Overall Height: 4.667'
 Slack: 2.5"

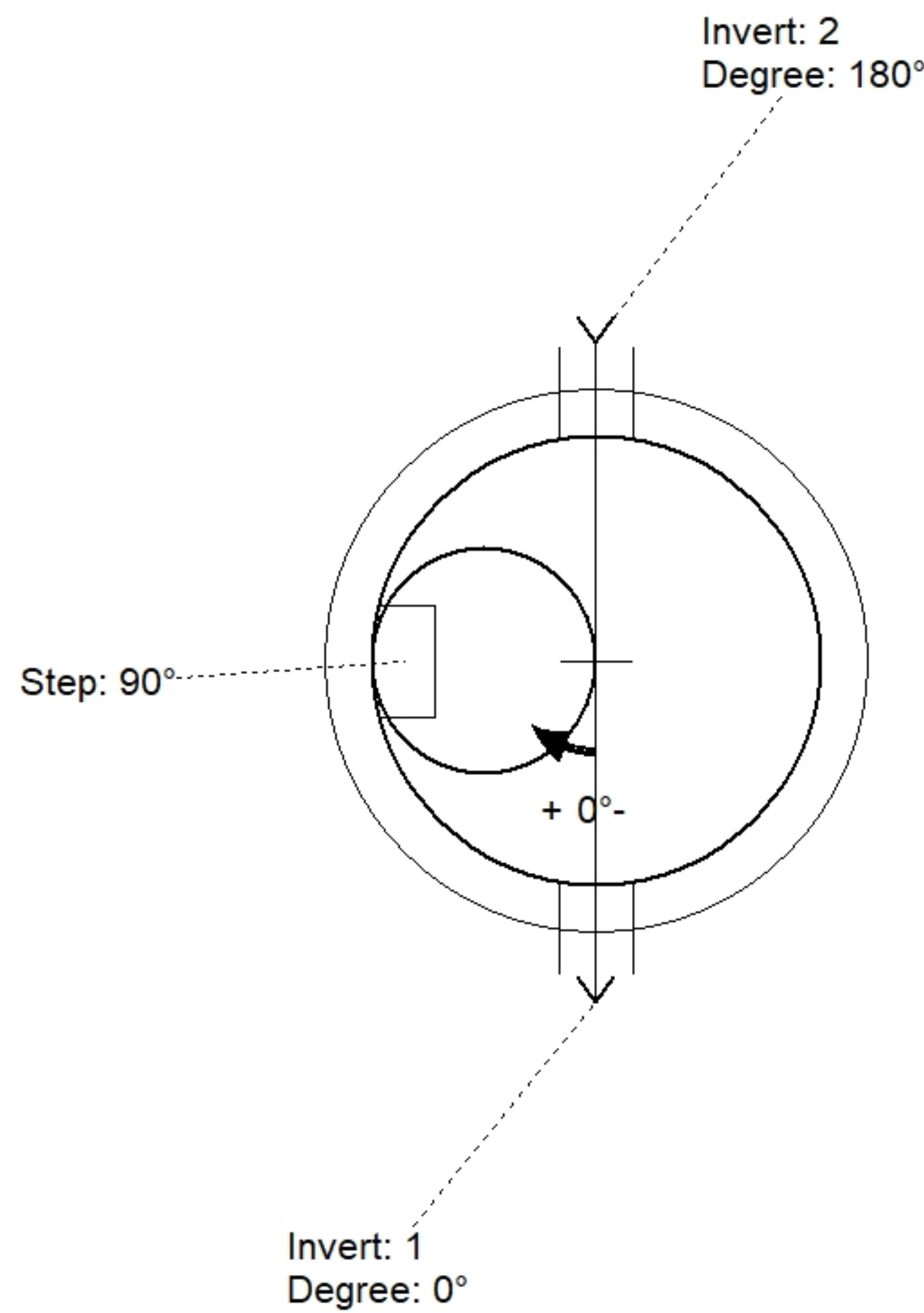
Structure Notes:

1. PER ASTM C478 SPECIFICATIONS.
2. CONCRETE = 4,000 PSI AT 28 DAYS.
3. HOE MCS-290 BY ICAST (CAST-IN FLAT LID)

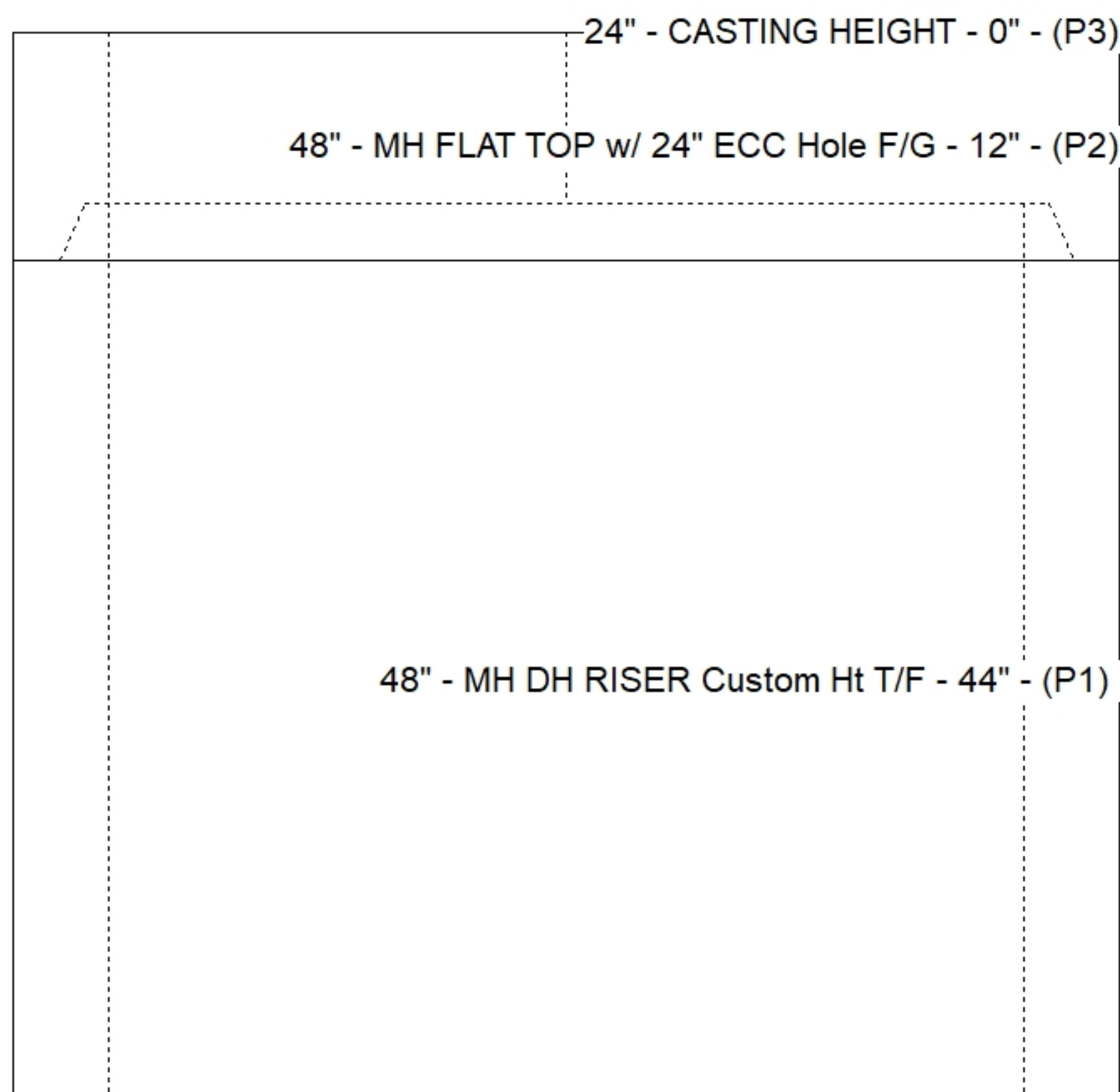
REINFORCING PER ASTM A615 (GRADE 60).
 - TOP SLAB (As .62) #5 BARS AT 6" C.C.E.W.
 - RISER (As .12)

STRUCTURE SUMMARY:

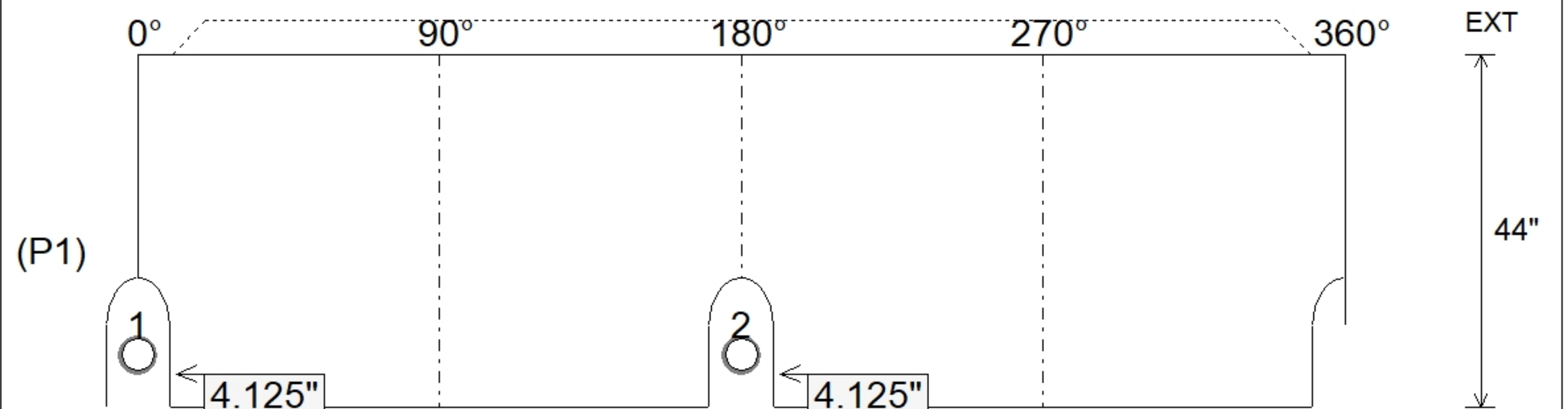
P3) 24" - CASTING HEIGHT - 0"	0 lb
P2) 48" - MH FLAT TOP w/ 24" ECC Hole F/G - 12"	1561 lb
P1) 48" - MH DH RISER Custom Ht T/F - 44"	2974 lb
2) DOGHOUSE - 8"x12"	0 lb
4) MH Step ML-10-TDS-NCR - 10"	0 lb
Structure Total:	4535 lb



Position	Elev	Angle	Pipe	Pipe OD	Hole	Connector	Up (L)	Ref
Rim	4.5'							
Reducer								
Invert 1	0'	0°	4" HDPE	4.8"	8" x 12"	DOGHOUSE 8"x12"	4.125"	P1
Invert 2	0'	180°	4" HDPE	4.8"	8" x 12"	DOGHOUSE 8"x12"	4.125"	P1
Invert 3								
Invert 4								
Invert 5								
Invert 6								
Invert 7								
Invert 8								



Cast (Int. Dim.) - Interior Dimensions



Submittal Drawing
 10/16/2025 7:57:26 PM

SUBMITTAL
 APPROVED BY: