

Job Name: 25-0202 Bedford GM ARV	Plant: Beaver Dam	Tech: C.Russ	
Job Location: Bedford, IN Contractor: Deig Bros Lumber & Construction Co, Inc.	10/16/2025 7:57:57 PM	PC: E.Bradley	

**Structure ID: ARV VAULT 1**

**P2 MH048LD12ECC**

**MH FLAT TOP w/ 24" ECC Hole F/G**

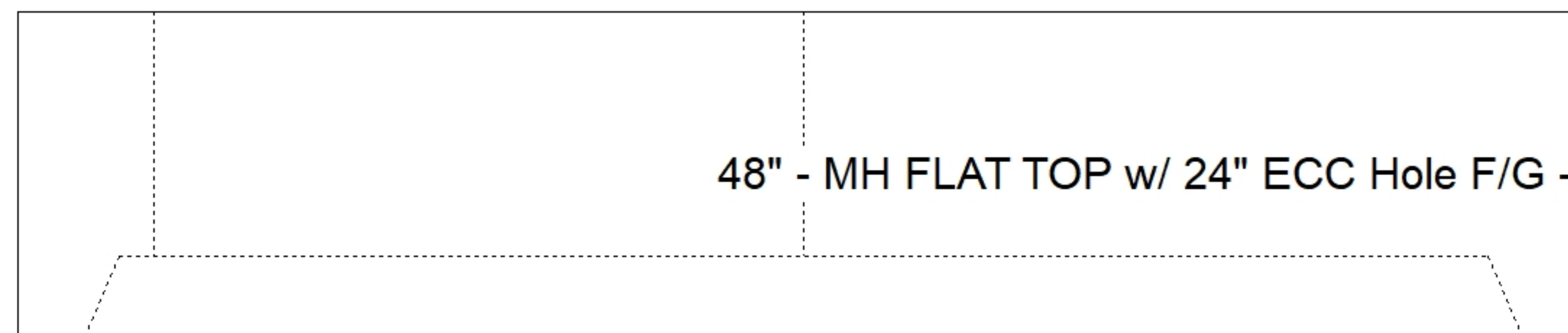
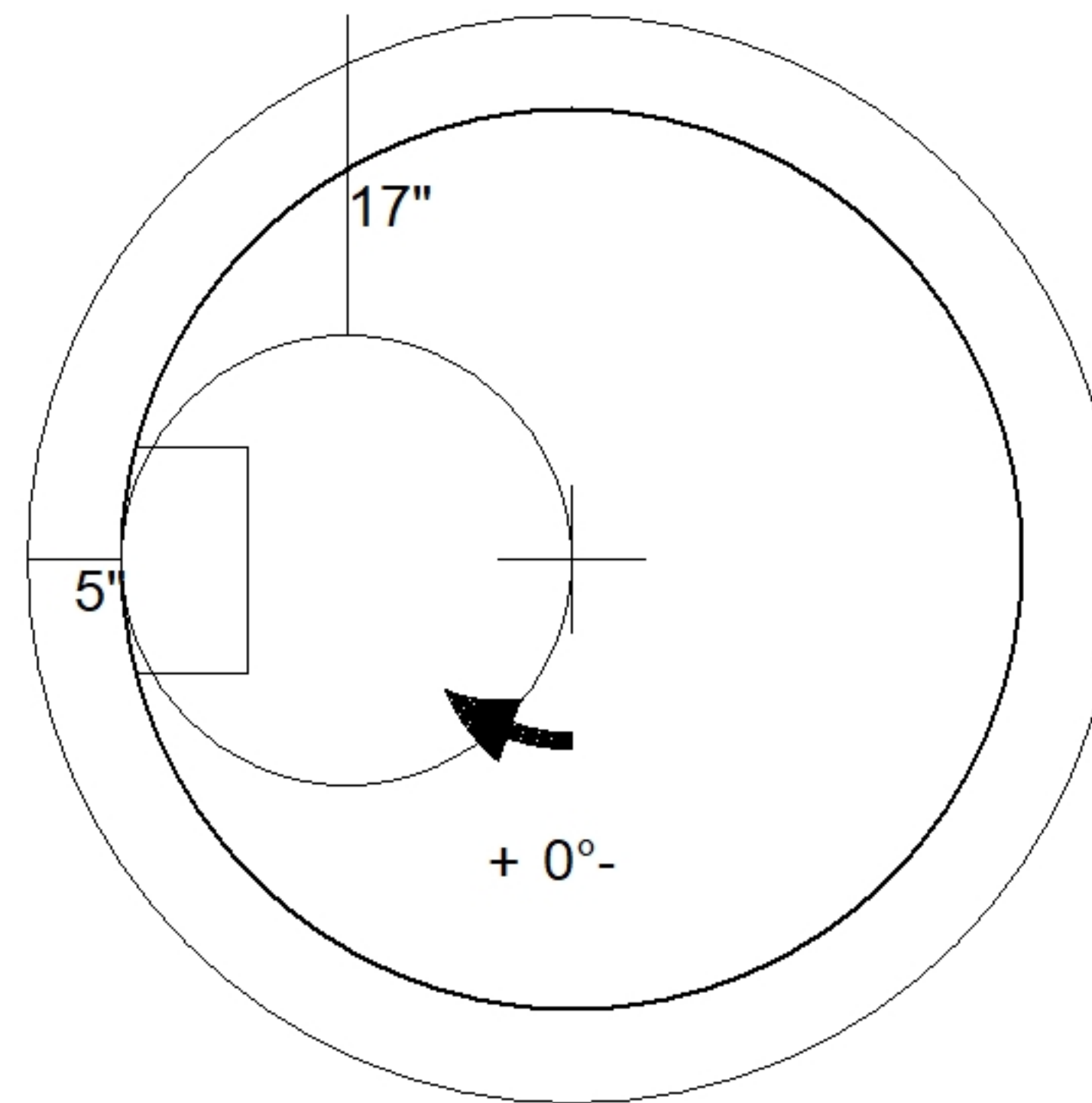
- P3) 24" - CASTING HEIGHT - 0"
- P2) 48" - MH FLAT TOP w/ 24" ECC Hole F/G - 12"
- P1) 48" - MH DH RISER Custom Ht T/F - 44"
- 2) DOGHOUSE - 8"x12"
- 4) MH Step ML-10-TDS-NCR - 10"

0 lb  
1561 lb  
2974 lb  
0 lb  
0 lb  
-----  
4535 lb

Structure Total:

Structure Notes:  
 1. PER ASTM C478 SPECIFICATIONS.  
 2. CONCRETE = 4,000 PSI AT 28 DAYS.  
 3. HOE MCS-290 BY ICAST (CAST-IN FLAT LID)

REINFORCING PER ASTM A615 (GRADE 60).  
 - TOP SLAB (As .62) #5 BARS AT 6" C.C.E.W.  
 - RISER (As .12)



48" - MH FLAT TOP w/ 24" ECC Hole F/G - 12" - (P2)

Coating (Int): Coating (Ext):	Seam Up: Flat Seam Dn: Groove	Wall Thickness: 5"	Height (Ext): 12"	Weight (Net): 1561 lb Volume (Net): 0.42cu.yd
----------------------------------	----------------------------------	--------------------	-------------------	--