

Structure ID: ARV VAULT 1

P1 MH048DHVF

MH DH RISER Custom Ht T/F

- | | |
|---|---|
| P3) 24" - CASTING HEIGHT - 0"
P2) 48" - MH FLAT TOP w/ 24" ECC Hole F/G - 12"
P1) 48" - MH DH RISER Custom Ht T/F - 44"
2) DOGHOUSE - 8"x12"
4) MH Step ML-10-TDS-NCR - 10" | 0 lb
1561 lb
2974 lb
0 lb
0 lb

Structure Total: 4535 lb |
|---|---|

Structure Notes:

1. PER ASTM C478 SPECIFICATIONS.
2. CONCRETE = 4,000 PSI AT 28 DAYS.
3. HOE MCS-290 BY ICAST (CAST-IN FLAT LID)

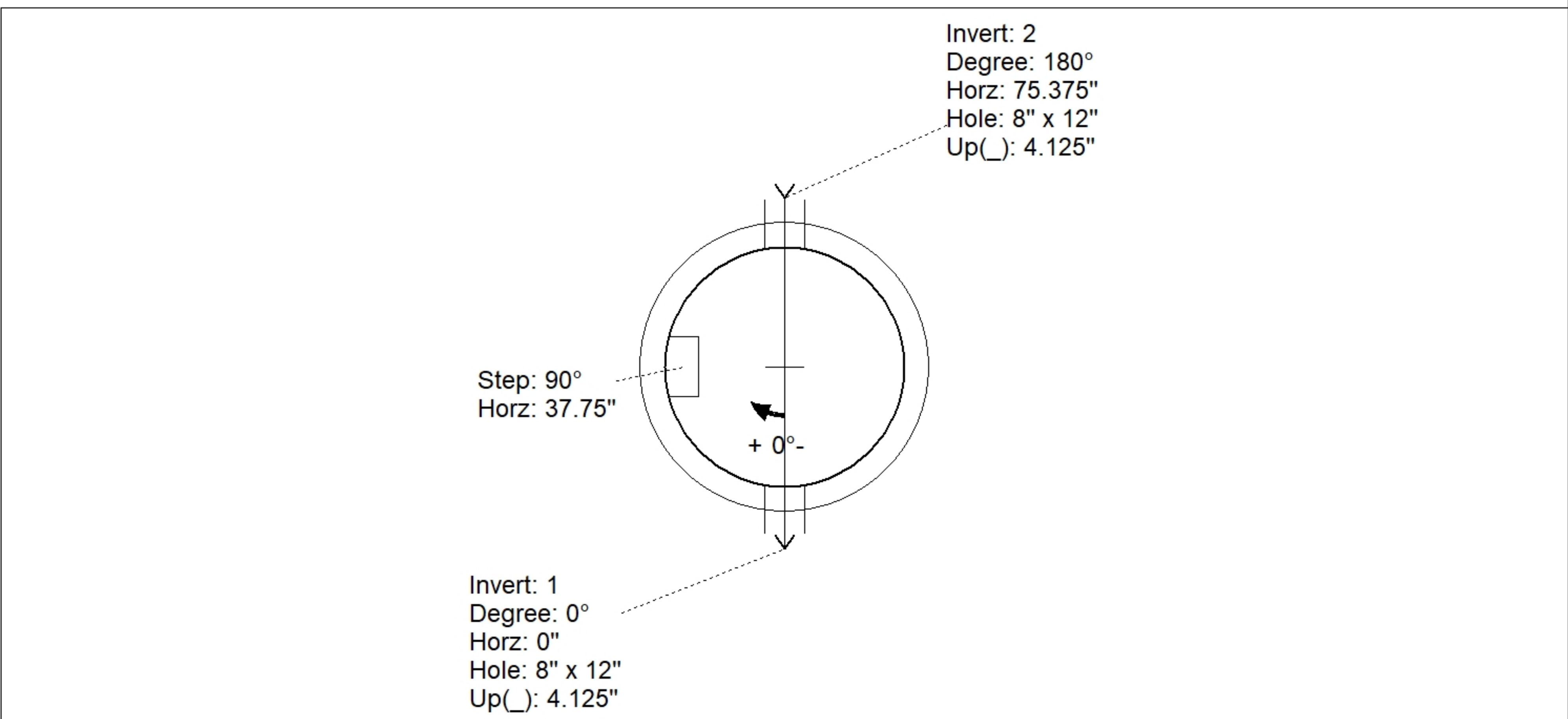
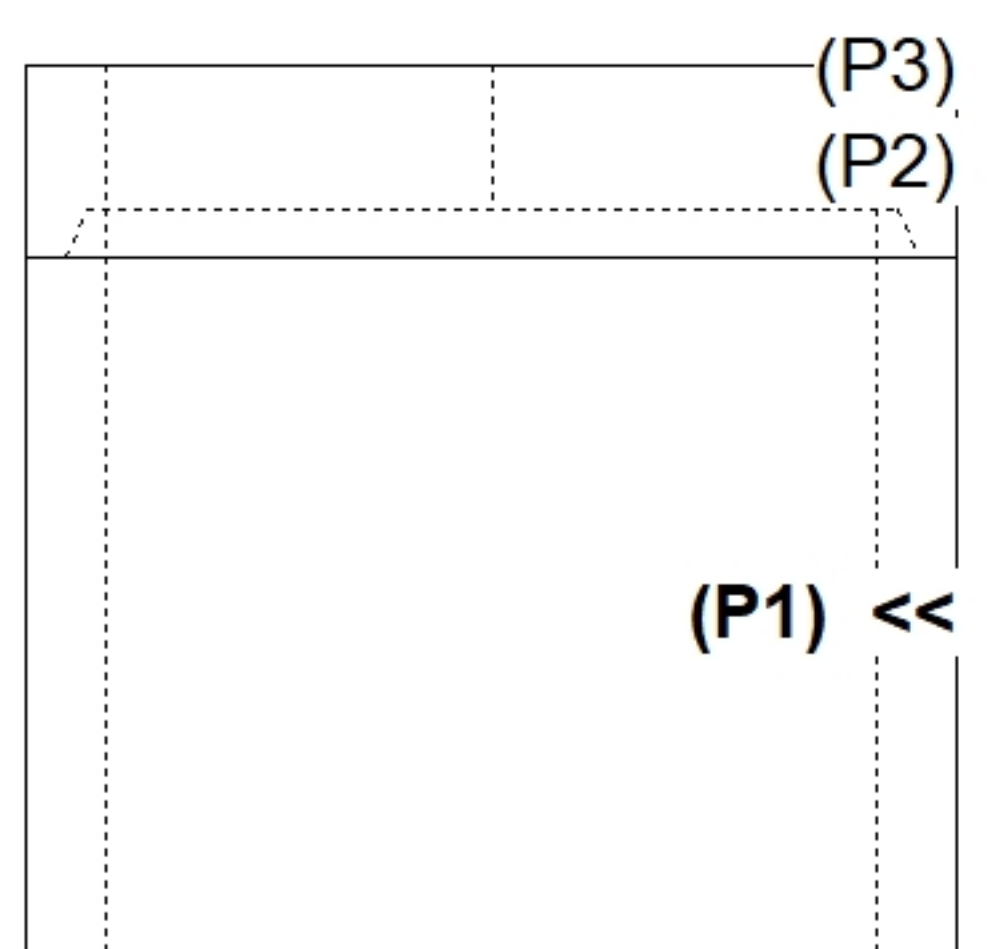
REINFORCING PER ASTM A615 (GRADE 60).

- TOP SLAB (As .62) #5 BARS AT 6" C.C.E.W.
- RISER (As .12)

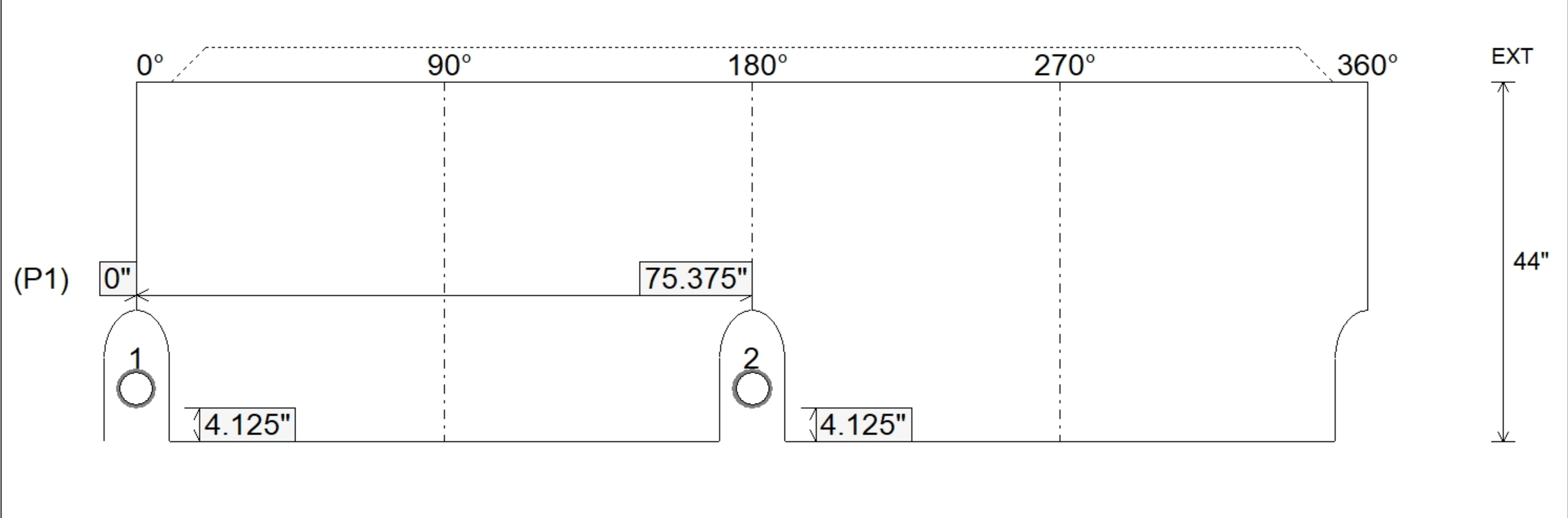
Rim: 4.5' Rim to Invert: 4.5' Slack: 2.5" Sump: 0" Step Position: 90°

Position	Elev	Angle	Ext. (cw)	Pipe	Pipe OD	Connector	Hole	Horz Size	Up ()	Offset
Invert 1	0'	0°	0"	4" HDPE	4.8"	DOGHOUSE 8"x12"	8" x 12"	8.038"	4.125"	0"
Invert 2	0'	180°	91.125"	4" HDPE	4.8"	DOGHOUSE 8"x12"	8" x 12"	8.038"	4.125"	0"
Invert 3										
Invert 4										
Invert 5										
Invert 6										
Invert 7										
Invert 8										

RIGHT-SIDE UP VIEW (int. dimensions)



INSIDE WALL DIMENSIONS



Coating (Int):	Seam Up: Tongue Seam Dn: Flat	Wall Thickness: 5" Floor Height: 0"	Height (Int): 44" Height (Ext): 44"
Coating (Ext):			Weight (Net): 2974 lb Volume (Net): 0.76cu.yd