

Job Name: 25-0199 - Countryview Stormwater Imp. Ph. 3 Sec. 1
Job Location: Henderson, KY 42420
Contractor: Koberstein Contracting, Inc.

PC: E. Bradley
 TECH: K. Cardwell
 Plant: Beaver Dam, KY



Structure ID: 301

Spec: Storm
 Type: STM.MH (Recessed pipe)
 Size: 60"

Rim: 379.57'
 Invert: 372.97'
 Rim to Invert: 6.6'

Sump: 0"
 Floor (Top): 372.97'
 Floor Height: 8"

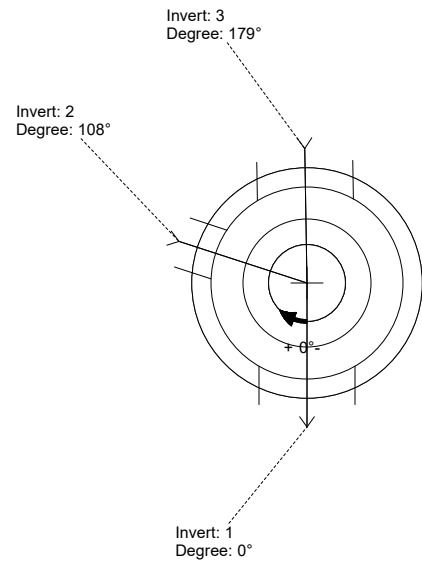
Floor (Bot): 372.303'
 Overall Height: 7.083'
 Slack: 2.2"

Structure Notes:

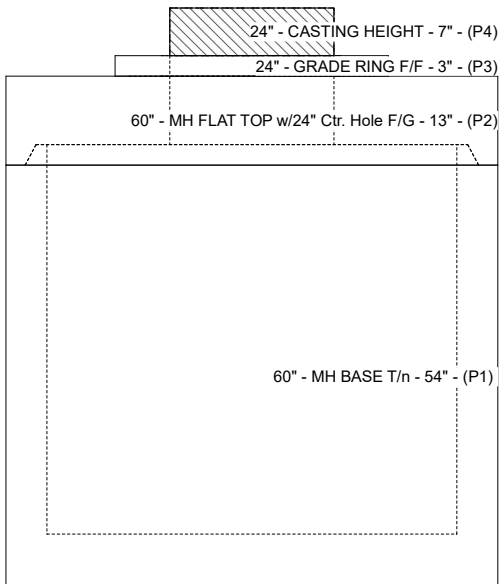
- STATION: 0+38 LN C
- 1. PER ASTM C-478 SPECS
- 2. CONCRETE: 4,000 PSI AT 28 DAYS
- 3. REINFORCEMENT:
 - FLAT LID: #5 BAR @ 6" C.C. E.W. (GRADE 60)
 - BASE: PER ASTM A615
- 4. NO STEPS
- 5. 7" CASTING SUPPLIED BY OTHERS

STRUCTURE SUMMARY:

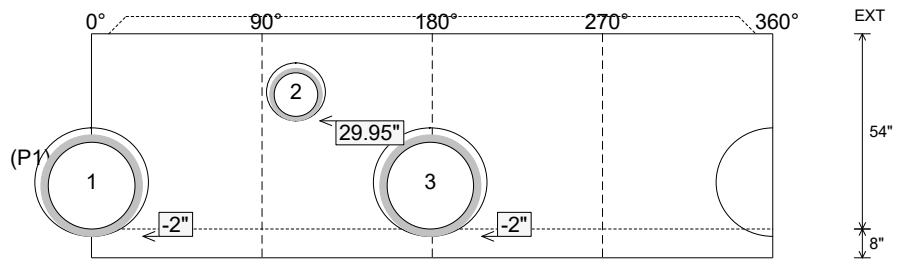
- P4) 24" - CASTING HEIGHT - 7" 0 lb
- P3) 24" - GRADE RING F/F - 3" 202 lb
- P2) 60" - MH FLAT TOP w/24" Ctr. Hole F/G - 13" 2674 lb
- P1) 60" - MH BASE T/n - 54" 7528 lb
- 1) 60" - Conseal CS-102 1.00" 0 lb
- 2) Hole - 30 0 lb
- 1) Hole - 16 0 lb
- Structure Total: 10405 lb**



Position	Elev	Angle	Pipe	Pipe OD	Hole	Connector	Up (")	Ref
Rim	379.57'							
Reducer								
Invert 1	372.97'	0°	24" ADS N-12	28"	30"	Hole 30	-2"	P1
Invert 2	375.57'	108°	12" ADS N-12	14.5"	16"	Hole 16	29.95"	P1
Invert 3	372.97'	179°	24" ADS N-12	28"	30"	Hole 30	-2"	P1
Invert 4								
Invert 5								
Invert 6								
Invert 7								
Invert 8								



Cast (Int. Dim.) - Interior Dimensions



Submittal Drawing
 10/20/2025 12:20:50 PM

SUBMITTAL
 APPROVED BY: