

**Job Name: 25-0199 - Countryview Stormwater Imp. Ph. 3 Sec. 1**  
**Job Location: Henderson, KY 42420**  
**Contractor: Koberstein Contracting, Inc.**

PC: E. Bradley  
 TECH: K. Cardwell  
 Plant: Beaver Dam, KY



Structure ID: **204**  
 Spec: Storm  
 Type: STM.MH  
 Size: 60"

Rim: 378.86'  
 Invert: 372.05'  
 Rim to Invert: 6.81'

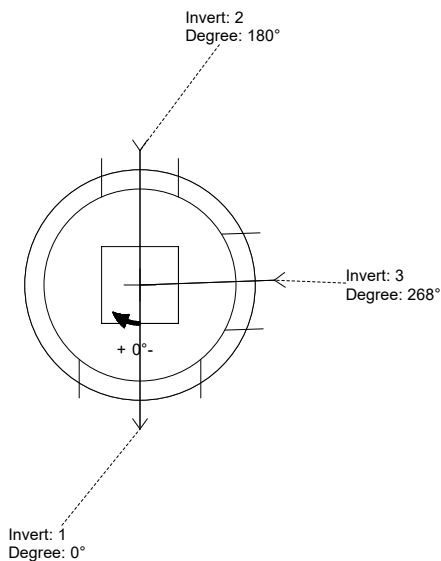
Sump: 2.55"  
 Floor (Top): 371.838"  
 Floor Height: 8"

Floor (Bot): 371.171"  
 Overall Height: 7.5'  
 Slack: 2.27"

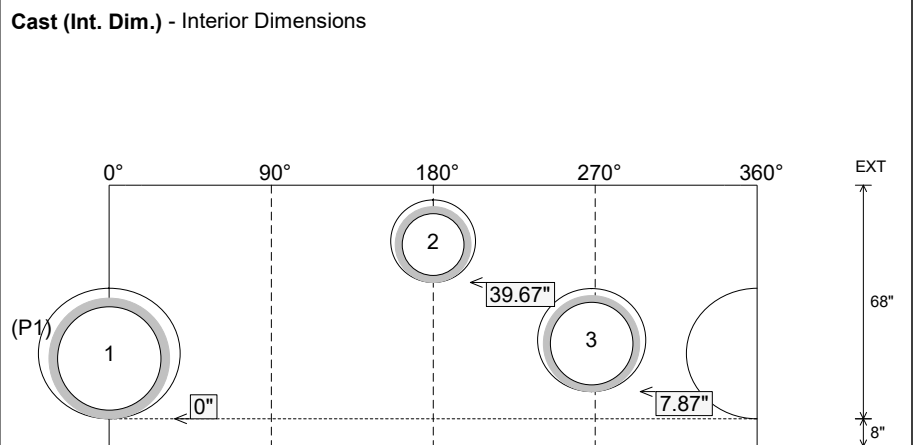
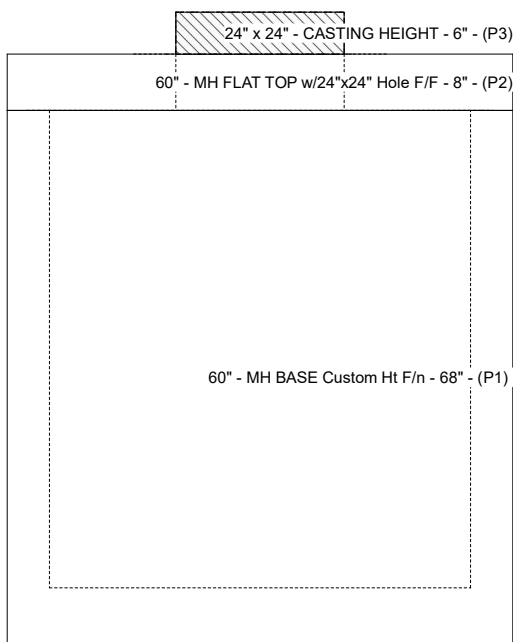
**Structure Notes:**  
 STATION: 3+40 LN B  
 1. PER ASTM C-478 SPECS  
 2. CONCRETE: 4,000 PSI AT 28 DAYS  
 3. REINFORCEMENT:  
 - FLAT LID: #5 BAR @ 6" C.C. E.W. (GRADE 60)  
 - BASE & RISER: PER ASTM A615  
 4. NO STEPS  
 5. 6" CASTING SUPPLIED BY OTHERS

**STRUCTURE SUMMARY:**

P3) 24" x 24" - CASTING HEIGHT - 6"	0 lb
P2) 60" - MH FLAT TOP w/24"x24" Hole F/F - 8"	2347 lb
P1) 60" - MH BASE Custom Ht F/n - 68"	8619 lb
1) 60" - Conseal CS-102 1.00"	0 lb
1) 24" x 24" - Conseal CS-102 1.00"	0 lb
1) Hole - 38	0 lb
1) Hole - 24	0 lb
1) Hole - 30	0 lb
<b>Structure Total:</b>	<b>10965 lb</b>



Position	Elev	Angle	Pipe	Pipe OD	Hole	Connector	Up (")	Ref
Rim	378.86'							
Reducer								
Invert 1	372.05'	0°	30" ADS N-12	35.1"	38"	Hole 38	0"	P1
Invert 2	375.31'	180°	18" ADS N-12	22"	24"	Hole 24	39.67"	P1
Invert 3	372.66'	268°	24" ADS N-12	28"	30"	Hole 30	7.87"	P1
Invert 4								
Invert 5								
Invert 6								
Invert 7								
Invert 8								



Submittal Drawing  
 10/20/2025 12:20:48 PM

SUBMITTAL  
 APPROVED BY: