

Job Name: 25-0199 - Countryview Stormwater Imp. Ph. 3 Sec. 1
 Job Location: Henderson, KY 42420
 Contractor: Koberstein Contracting, Inc.

Plant: Beaver Dam, KY
 10/20/2025 12:27:02 PM

Tech: K. Cardwell
 PC: E. Bradley



Structure ID: 202

P1 MH060BAVF

MH BASE Custom Ht F/n

- P3) 24" - CASTING HEIGHT - 7"
- P2) 60" - MH FLAT TOP w/24" Ctr. Hole F/F - 8"
- P1) 60" - MH BASE Custom Ht F/n - 50"
- 1) 60" - Conseal CS-102 1.00"
- 2) Hole - 38
- 1) DOGHOUSE INVRTD - 16"x14"

0 lb
 2429 lb
 6624 lb
 0 lb
 0 lb
 0 lb

 Structure Total: 9054 lb

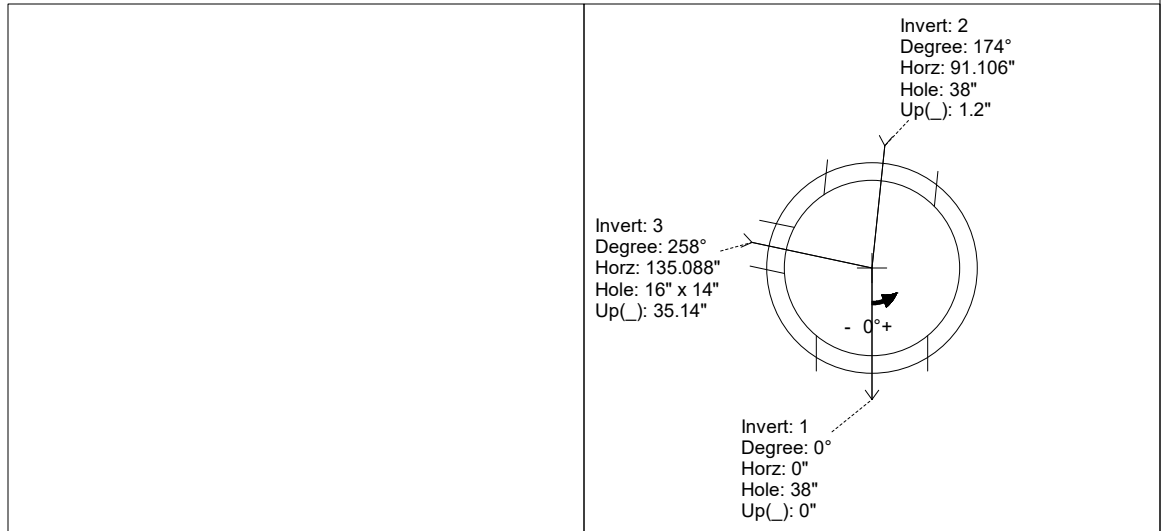
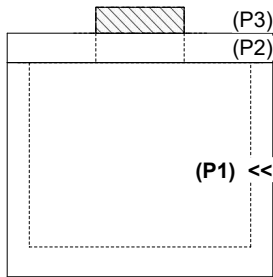
Structure Notes:
 STATION: 0+80 LN B
 1. PER ASTM C-478 SPECS
 2. CONCRETE: 4,000 PSI AT 28 DAYS
 3. REINFORCEMENT: PER ASTM A615
 4. NO STEPS
 5. 7" CASTING SUPPLIED BY OTHERS

Rim: 376.43' Rim to Invert: 5.25' Slack: 0.55' Sump: 2.55' Step Position:

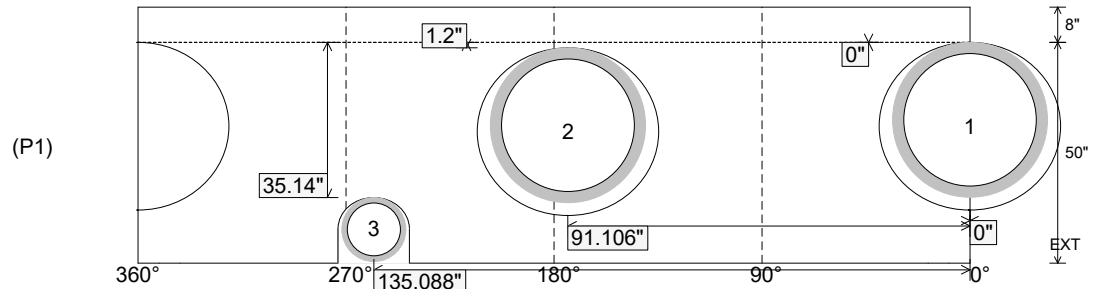
Position	Elev	Angle	Ext. (cw)	Pipe	Pipe OD	Connector	Hole	Horz Size	Up ()	Offset
Invert 1	371.18'	0°	0"	30" ADS N-12	35.1"	Hole 38	38"	41.151"	0"	0"
Invert 2	371.28'	174°	109.327"	30" ADS N-12	35.1"	Hole 38	38"	41.151"	1.2"	0"
Invert 3	374'	258°	162.106"	12" ADS N-12	14.5"	DOGHOUSE INVRTD 16"x14"	16" x 14"	16.196"	35.14"	0"
Invert 4										
Invert 5										
Invert 6										
Invert 7										
Invert 8										

RIGHT-SIDE UP VIEW (int. dimensions)

UPSIDE-DOWN VIEW (int. dimensions)



INSIDE WALL DIMENSIONS



Coating (Int):
 Coating (Ext):

Seam Up: Flat
 Seam Dn: n/a

Wall Thickness: 6"
 Floor Height: 8"

Height (Int): 50"
 Height (Ext): 58"

Weight (Net): 6624 lb
 Volume (Net): 1.69cu.yd