

Job Name: 25-0199 - Countryview Stormwater Imp. Ph. 3 Sec. 1  
 Job Location: Henderson, KY 42420  
 Contractor: Koberstein Contracting, Inc.

Plant: Beaver Dam, KY

Tech: K. Cardwell

10/20/2025 12:27:03 PM

PC: E. Bradley



**Structure ID: 201**

**P1 MH060BA72**

**MH BASE T/n**

- P4) 24" - CASTING HEIGHT - 7"
- P3) 24" - GRADE RING F/F - 3"
- P2) 60" - MH FLAT TOP w/24" Ctr. Hole F/G - 13"
- P1) 60" - MH BASE T/n - 72"
- 1) 60" - Conseal CS-102 1.00"
- 2) Hole - 38"

- 0 lb
- 202 lb
- 2674 lb
- 9030 lb
- 0 lb
- 0 lb

Structure Total: 11906 lb

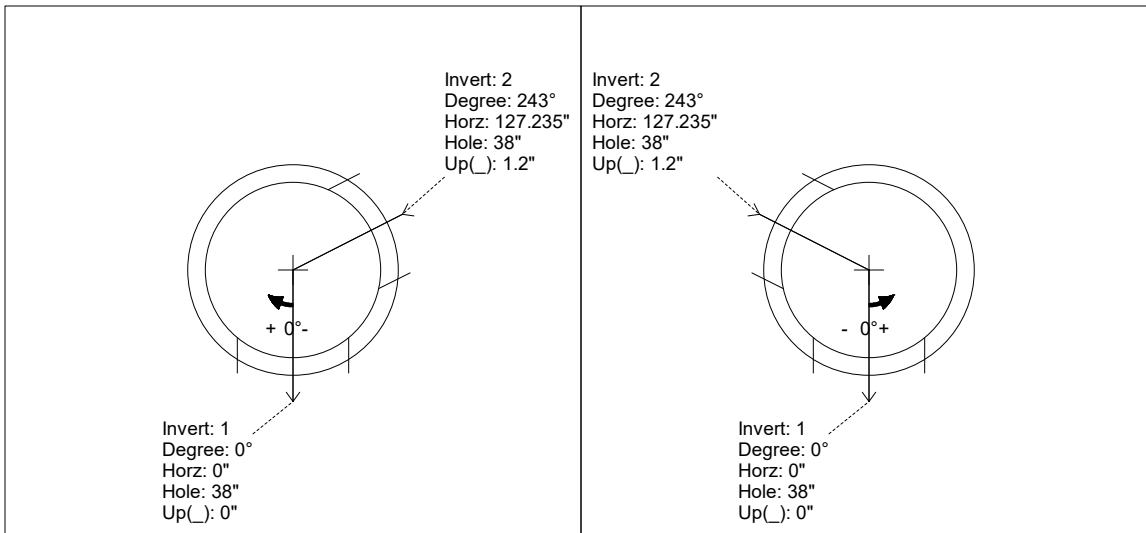
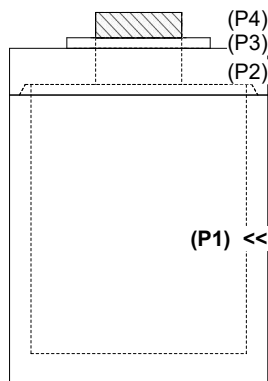
**Structure Notes:**  
 STATION: 0+33 LN B  
 1. PER ASTM C-478 SPECS  
 2. CONCRETE: 4,000 PSI AT 28 DAYS  
 3. REINFORCEMENT: PER ASTM A615  
 4. NO STEPS  
 5. 7" CASTING SUPPLIED BY OTHERS

Rim: 378.76' Rim to Invert: 7.8' Slack: 1.15" Sump: 2.55" Step Position:

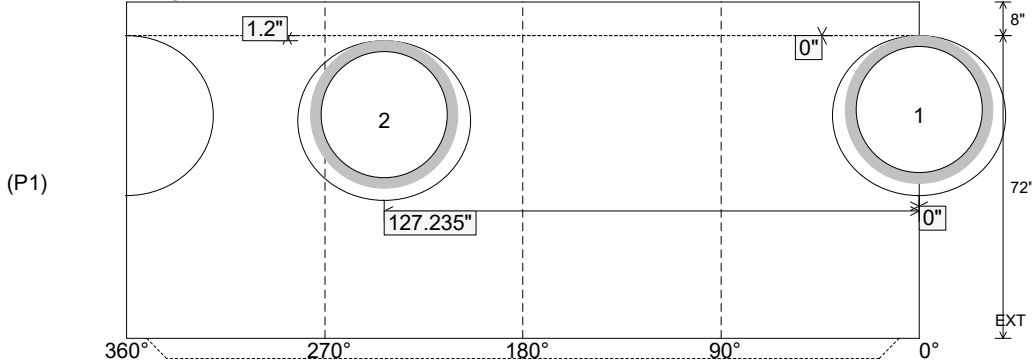
Position	Elev	Angle	Ext. (cw)	Pipe	Pipe OD	Connector	Hole	Horz Size	Up ( )	Offset
Invert 1	370.96'	0°	0"	30" ADS N-12	35.1"	Hole 38	38"	41.151"	0"	0"
Invert 2	371.06'	243°	152.681"	30" ADS N-12	35.1"	Hole 38	38"	41.151"	1.2"	0"
Invert 3										
Invert 4										
Invert 5										
Invert 6										
Invert 7										
Invert 8										

RIGHT-SIDE UP VIEW (int. dimensions)

UPSIDE-DOWN VIEW (int. dimensions)



INSIDE WALL DIMENSIONS



Coating (Int):  
 Coating (Ext):

Seam Up: Tongue  
 Seam Dn: n/a

Wall Thickness: 6"  
 Floor Height: 8"

Height (Int): 72"  
 Height (Ext): 80"

Weight (Net): 9030 lb  
 Volume (Net): 2.31cu.yd