

Job Name: 25-0199 - Countryview Stormwater Imp. Ph. 3 Sec. 1
Job Location: Henderson, KY 42420
Contractor: Koberstein Contracting, Inc.

PC: E. Bradley
 TECH: K. Cardwell
 Plant: Beaver Dam, KY



Structure ID: 115
 Spec: Storm
 Type: STM.MH
 Size: 60"

Rim: 377.5'
 Invert: 370.62'
 Rim to Invert: 6.88'

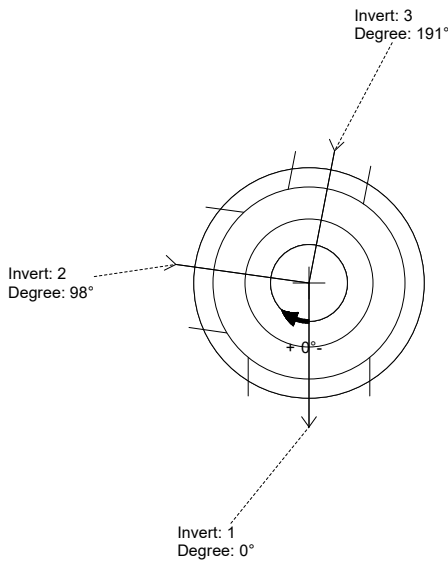
Sump: 2.55"
 Floor (Top): 370.408'
 Floor Height: 8"

Floor (Bot): 369.741'
 Overall Height: 7.583'
 Slack: 2.11"

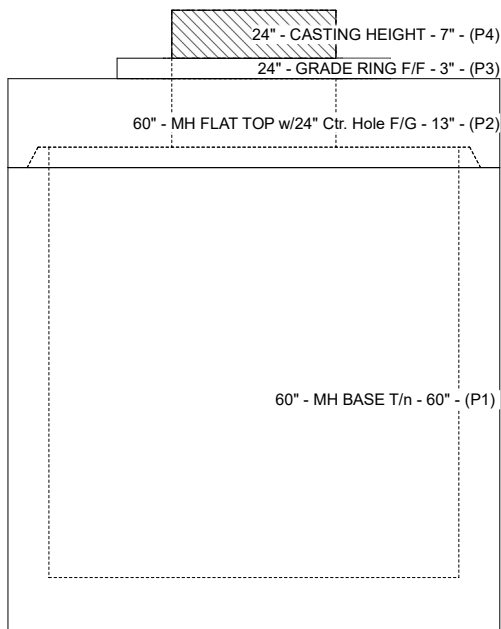
Structure Notes:
 STATION: 10+71 LN A
 1. PER ASTM C-478 SPECS
 2. CONCRETE: 4,000 PSI AT 28 DAYS
 3. REINFORCEMENT:
 - FLAT LID: #5 BAR @ 6" C.C. E.W. (GRADE 60)
 - BASE: PER ASTM A615
 4. NO STEPS
 5. 7" CASTING SUPPLIED BY OTHERS

STRUCTURE SUMMARY:

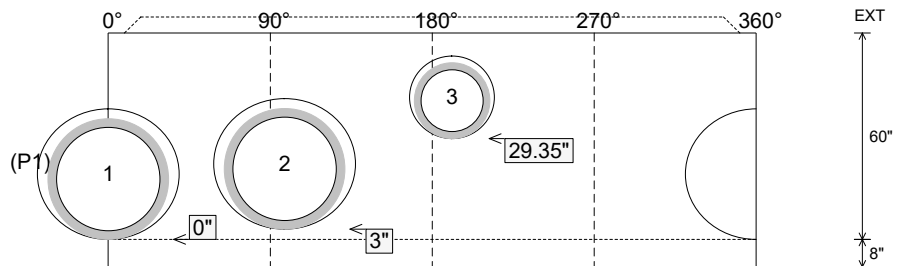
P4) 24" - CASTING HEIGHT - 7"	0 lb
P3) 24" - GRADE RING F/F - 3"	202 lb
P2) 60" - MH FLAT TOP w/24" Ctr. Hole F/G - 13"	2674 lb
P1) 60" - MH BASE T/n - 60"	7544 lb
1) 60" - Conseal CS-102 1.00"	0 lb
2) Hole - 38	0 lb
1) Hole - 24	0 lb
Structure Total:	10420 lb



Position	Elev	Angle	Pipe	Pipe OD	Hole	Connector	Up (")	Ref
Rim	377.5'							
Reducer								
Invert 1	370.62'	0°	30" ADS N-12	35.1"	38"	Hole 38	0"	P1
Invert 2	370.87'	98°	30" ADS N-12	35.1"	38"	Hole 38	3"	P1
Invert 3	373.02'	191°	18" ADS N-12	22"	24"	Hole 24	29.35"	P1
Invert 4								
Invert 5								
Invert 6								
Invert 7								
Invert 8								



Cast (Int. Dim.) - Interior Dimensions



Submittal Drawing
 10/20/2025 12:20:44 PM

SUBMITTAL
 APPROVED BY: