

Job Name: 25-0199 - Countryview Stormwater Imp. Ph. 3 Sec. 1
 Job Location: Henderson, KY 42420
 Contractor: Koberstein Contracting, Inc.

Plant: Beaver Dam, KY
 10/20/2025 12:26:57 PM

Tech: K. Cardwell
 PC: E. Bradley



Structure ID: 113

P1 MH060BAVF

MH BASE Custom Ht T/n

- P3) 24" - CASTING HEIGHT - 7"
- P2) 60" - MH FLAT TOP w/24" Ctr. Hole F/G - 13"
- P1) 60" - MH BASE Custom Ht T/n - 67"
- 1) 60" - Conseal CS-102 1.00"
- 2) Hole - 38

0 lb
 2674 lb
 8508 lb
 0 lb
 0 lb

 Structure Total: 11182 lb

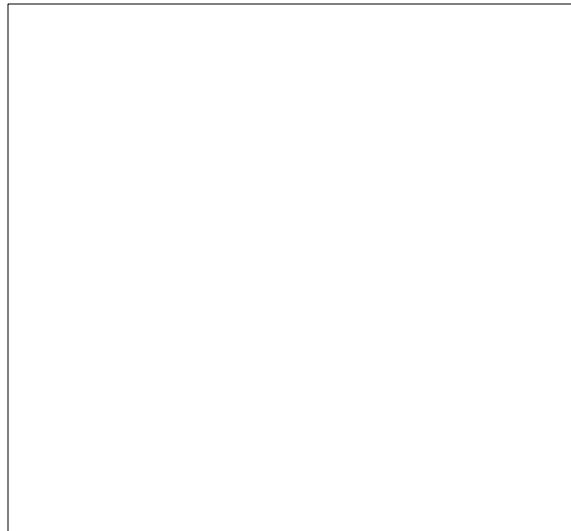
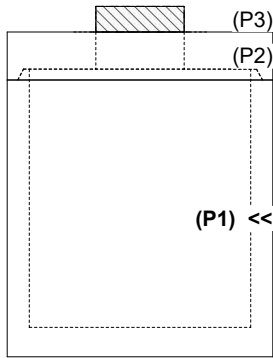
Structure Notes:
 STATION: 8+89 LN A
 1. PER ASTM C-478 SPECS
 2. CONCRETE: 4,000 PSI AT 28 DAYS
 3. REINFORCEMENT: PER ASTM A615
 4. NO STEPS
 5. 7" CASTING SUPPLIED BY OTHERS

Rim: 377.25' Rim to Invert: 7.2' Slack: 1.95" Sump: 2.55" Step Position:

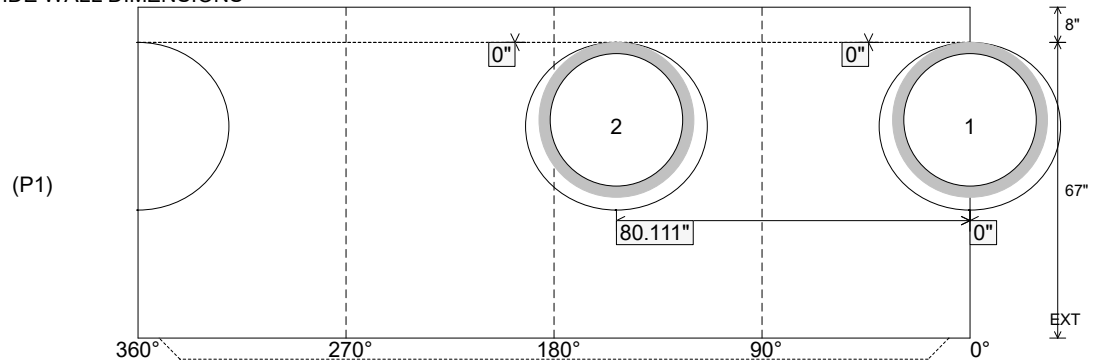
| Position | Elev | Angle | Ext. (cw) | Pipe | Pipe OD | Connector | Hole | Horz Size | Up () | Offset |
|----------|---------|-------|-----------|--------------|---------|-----------|------|-----------|--------|--------|
| Invert 1 | 370.05' | 0° | 0" | 30" ADS N-12 | 35.1" | Hole 38 | 38" | 41.151" | 0" | 0" |
| Invert 2 | 370.05' | 153° | 96.133" | 30" ADS N-12 | 35.1" | Hole 38 | 38" | 41.151" | 0" | 0" |
| Invert 3 | | | | | | | | | | |
| Invert 4 | | | | | | | | | | |
| Invert 5 | | | | | | | | | | |
| Invert 6 | | | | | | | | | | |
| Invert 7 | | | | | | | | | | |
| Invert 8 | | | | | | | | | | |

RIGHT-SIDE UP VIEW (int. dimensions)

UPSIDE-DOWN VIEW (int. dimensions)



INSIDE WALL DIMENSIONS



Coating (Int):
 Coating (Ext):

Seam Up: Tongue
 Seam Dn: n/a

Wall Thickness: 6"
 Floor Height: 8"

Height (Int): 67"
 Height (Ext): 75"

Weight (Net): 8508 lb
 Volume (Net): 2.17cu.yd