

**Job Name: 25-0199 - Countryview Stormwater Imp. Ph. 3 Sec. 1**  
**Job Location: Henderson, KY 42420**  
**Contractor: Koberstein Contracting, Inc.**

PC: E. Bradley  
 TECH: K. Cardwell  
 Plant: Beaver Dam, KY



Structure ID: 112  
 Spec: Storm  
 Type: STM.MH  
 Size: 60"

Rim: 377.5'  
 Invert: 369.86'  
 Rim to Invert: 7.64'

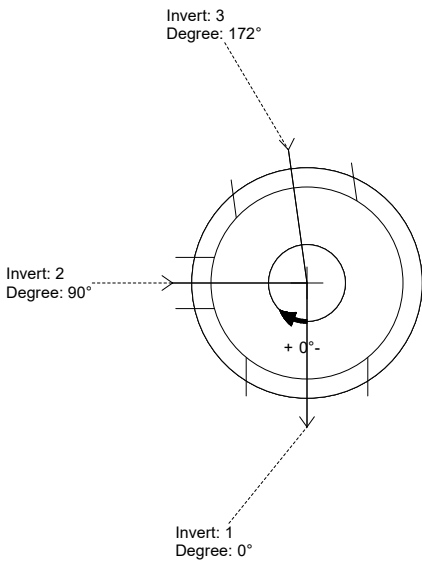
Sump: 2.55"  
 Floor (Top): 369.648"  
 Floor Height: 8"

Floor (Bot): 368.981'  
 Overall Height: 8.333'  
 Slack: 2.23"

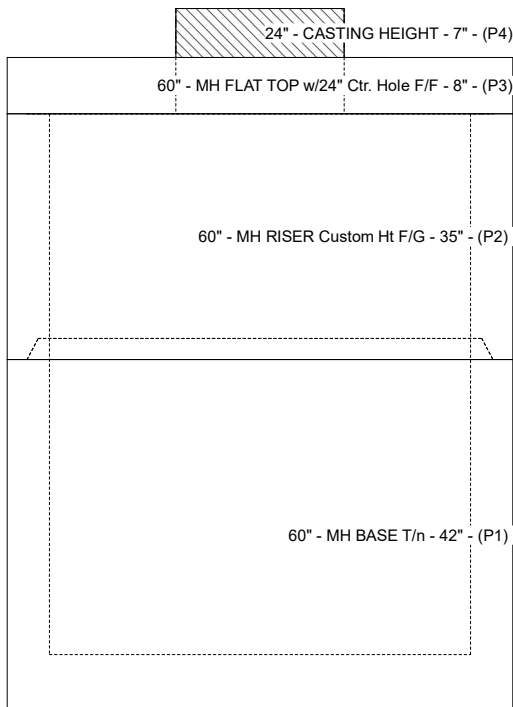
**Structure Notes:**  
 STATION: 8+28 LN A  
 1. PER ASTM C-478 SPECS  
 2. CONCRETE: 4,000 PSI AT 28 DAYS  
 3. REINFORCEMENT:  
 - FLAT LID: #5 BAR @ 6" C.C. E.W. (GRADE 60)  
 - BASE & RISER: PER ASTM A615  
 4. NO STEPS  
 5. 7" CASTING SUPPLIED BY OTHERS

**STRUCTURE SUMMARY:**

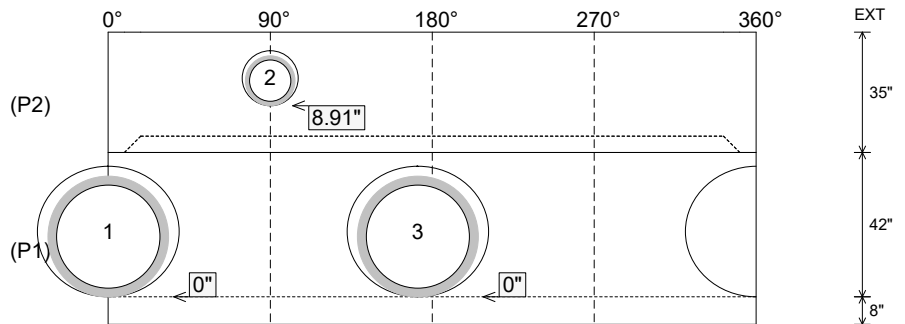
P4) 24" - CASTING HEIGHT - 7"	0 lb
P3) 60" - MH FLAT TOP w/24" Ctr. Hole F/F - 8"	2429 lb
P2) 60" - MH RISER Custom Ht F/G - 35"	3551 lb
P1) 60" - MH BASE T/n - 42"	5898 lb
2) 60" - Conseal CS-102 1.00"	0 lb
2) Hole - 38	0 lb
1) Hole - 16	0 lb
<b>Structure Total:</b>	<b>11879 lb</b>



Position	Elev	Angle	Pipe	Pipe OD	Hole	Connector	Up ( )	Ref
Rim	377.5'							
Reducer								
Invert 1	369.86'	0°	30" ADS N-12	35.1"	38"	Hole 38	0"	P1
Invert 2	374.39'	90°	12" ADS N-12	14.5"	16"	Hole 16	8.91"	P2
Invert 3	369.86'	172°	30" ADS N-12	35.1"	38"	Hole 38	0"	P1
Invert 4								
Invert 5								
Invert 6								
Invert 7								
Invert 8								



**Cast (Int. Dim.) - Interior Dimensions**



Submittal Drawing  
 10/20/2025 12:20:46 PM

SUBMITTAL  
 APPROVED BY: