

Job Name: 25-0199 - Countryview Stormwater Imp. Ph. 3 Sec. 1
Job Location: Henderson, KY 42420
Contractor: Koberstein Contracting, Inc.

PC: E. Bradley
 TECH: K. Cardwell
 Plant: Beaver Dam, KY



Structure ID: 110
 Spec: Storm
 Type: STM.MH
 Size: 48"

Rim: 377.5'
 Invert: 369.36'
 Rim to Invert: 8.14'

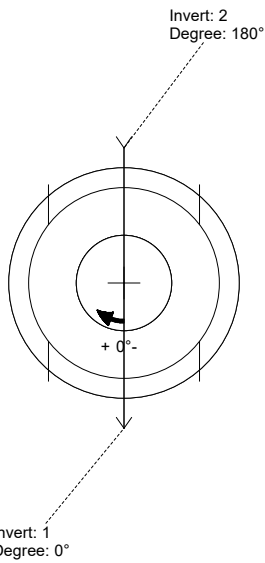
Sump: 2.55"
 Floor (Top): 369.148'
 Floor Height: 6"

Floor (Bot): 368.648'
 Overall Height: 8.583'
 Slack: 3.23"

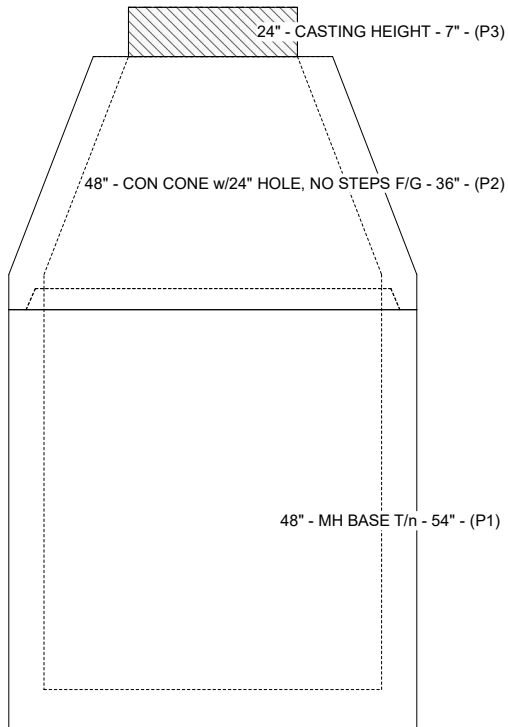
Structure Notes:
 STATION: 6+68 LN A
 1. PER ASTM C-478 SPECS
 2. CONCRETE: 4,000 PSI AT 28 DAYS
 3. REINFORCEMENT: PER ASTM A615
 4. NO STEPS
 5. 7" CASTING SUPPLIED BY OTHERS

STRUCTURE SUMMARY:

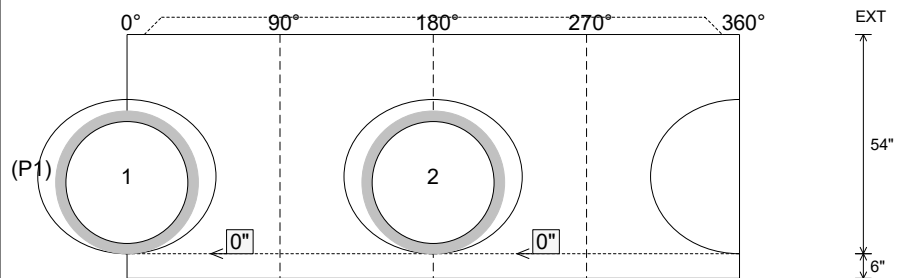
P3) 24" - CASTING HEIGHT - 7"	0 lb
P2) 48" - CON CONE w/24" HOLE, NO STEPS F/G - 36"	2252 lb
P1) 48" - MH BASE T/n - 54"	4035 lb
1) 48" - Conseal CS-102 1.00"	0 lb
2) Hole - 38	0 lb
	<hr/>
Structure Total:	6287 lb



Position	Elev	Angle	Pipe	Pipe OD	Hole	Connector	Up ()	Ref
Rim	377.5'							
Reducer								
Invert 1	369.36'	0°	30" ADS N-12	35.1"	38"	Hole 38	0"	P1
Invert 2	369.36'	180°	30" ADS N-12	35.1"	38"	Hole 38	0"	P1
Invert 3								
Invert 4								
Invert 5								
Invert 6								
Invert 7								
Invert 8								



Cast (Int. Dim.) - Interior Dimensions



Submittal Drawing
 10/20/2025 12:20:40 PM

SUBMITTAL
 APPROVED BY: