

Job Name: 25-0199 - Countryview Stormwater Imp. Ph. 3 Sec. 1
 Job Location: Henderson, KY 42420
 Contractor: Koberstein Contracting, Inc.

Plant: Beaver Dam, KY
 10/20/2025 12:26:50 PM

Tech: K. Cardwell
 PC: E. Bradley



Structure ID: 110

P1 MH048BA54

MH BASE T/n

- P3) 24" - CASTING HEIGHT - 7"
- P2) 48" - CON CONE w/24" HOLE, NO STEPS F/G - 36"
- P1) 48" - MH BASE T/n - 54"
- 1) 48" - Conseal CS-102 1.00"
- 2) Hole - 38

0 lb
 2252 lb
 4035 lb
 0 lb
 0 lb

 Structure Total: 6287 lb

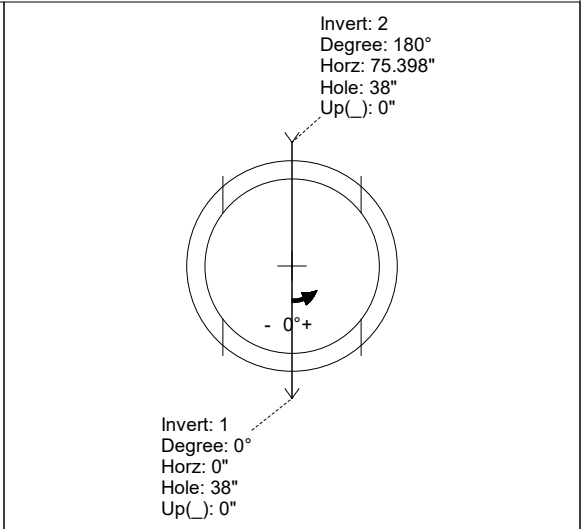
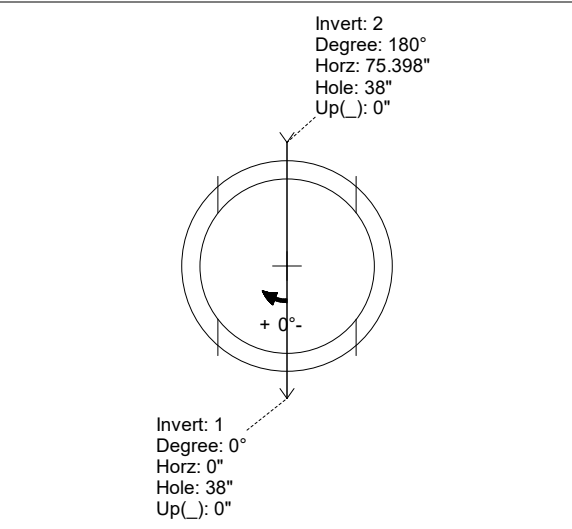
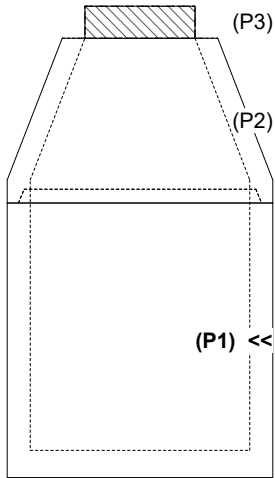
Structure Notes:
 STATION: 6+68 LN A
 1. PER ASTM C-478 SPECS
 2. CONCRETE: 4,000 PSI AT 28 DAYS
 3. REINFORCEMENT: PER ASTM A615
 4. NO STEPS
 5. 7" CASTING SUPPLIED BY OTHERS

Rim: 377.5' Rim to Invert: 8.14' Slack: 3.23" Sump: 2.55" Step Position:

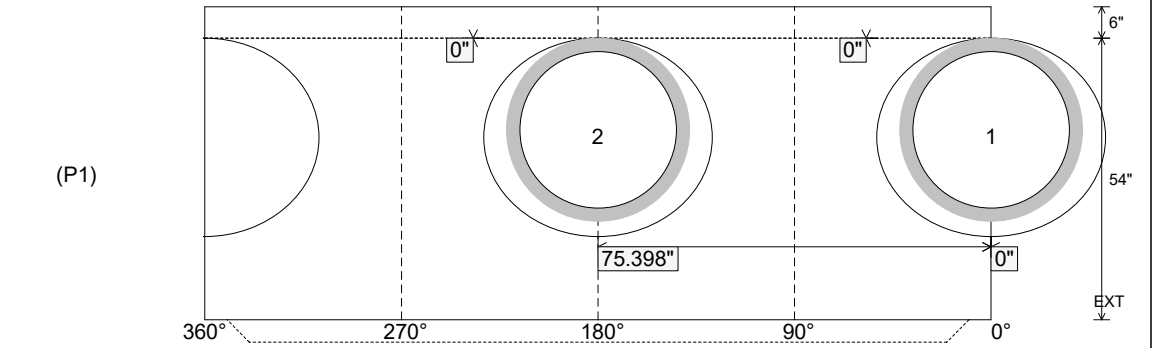
Position	Elev	Angle	Ext. (cw)	Pipe	Pipe OD	Connector	Hole	Horz Size	Up ()	Offset
Invert 1	369.36'	0°	0"	30" ADS N-12	35.1"	Hole 38	38"	43.85"	0"	0"
Invert 2	369.36'	180°	91.106"	30" ADS N-12	35.1"	Hole 38	38"	43.85"	0"	0"
Invert 3										
Invert 4										
Invert 5										
Invert 6										
Invert 7										
Invert 8										

RIGHT-SIDE UP VIEW (int. dimensions)

UPSIDE-DOWN VIEW (int. dimensions)



INSIDE WALL DIMENSIONS



Coating (Int):
 Coating (Ext):

Seam Up: Tongue
 Seam Dn: n/a

Wall Thickness: 5"
 Floor Height: 6"

Height (Int): 54"
 Height (Ext): 60"

Weight (Net): 4035 lb
 Volume (Net): 1.03cu.yd