

Job Name: 25-0199 - Countryview Stormwater Imp. Ph. 3 Sec. 1
Job Location: Henderson, KY 42420
Contractor: Koberstein Contracting, Inc.

PC: E. Bradley
 TECH: K. Cardwell
 Plant: Beaver Dam, KY

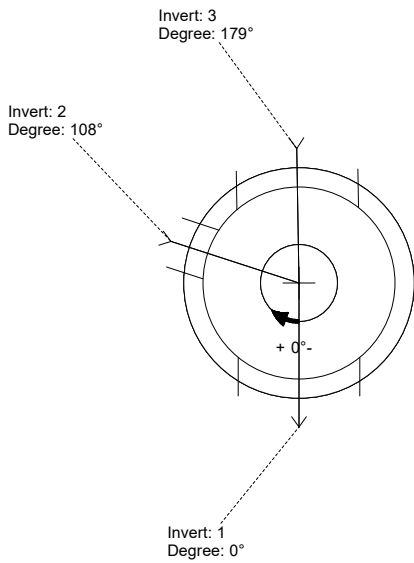


Structure ID: 105
 Spec: Storm Rim: 376.5' Sump: 2.55" Floor (Bot): 367.321"
 Type: STM.MH Invert: 368.2' Floor (Top): 367.988" Overall Height: 9"
 Size: 60" Rim to Invert: 8.3' Floor Height: 8" Slack: 2.15"

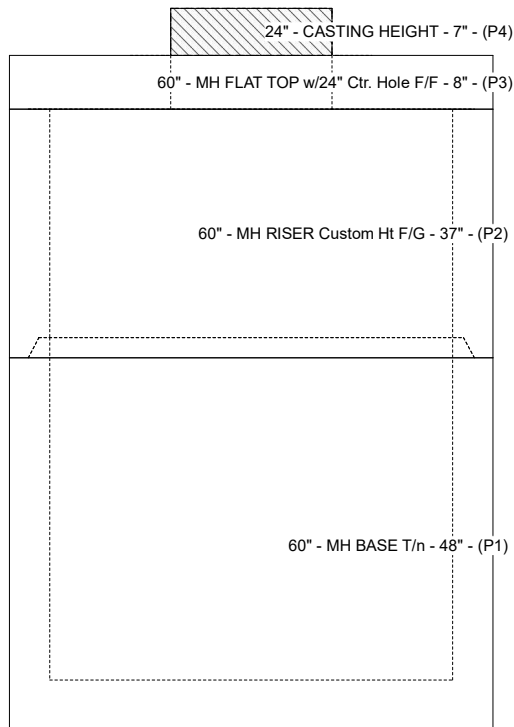
Structure Notes:
 STATION: 3+18 LN A
 1. PER ASTM C-478 SPECS
 2. CONCRETE: 4,000 PSI AT 28 DAYS
 3. REINFORCEMENT:
 - FLAT LID: #5 BAR @ 6" C.C. E.W. (GRADE 60)
 - BASE & RISER: PER ASTM A615
 4. NO STEPS
 5. 7" CASTING SUPPLIED BY OTHERS

STRUCTURE SUMMARY:

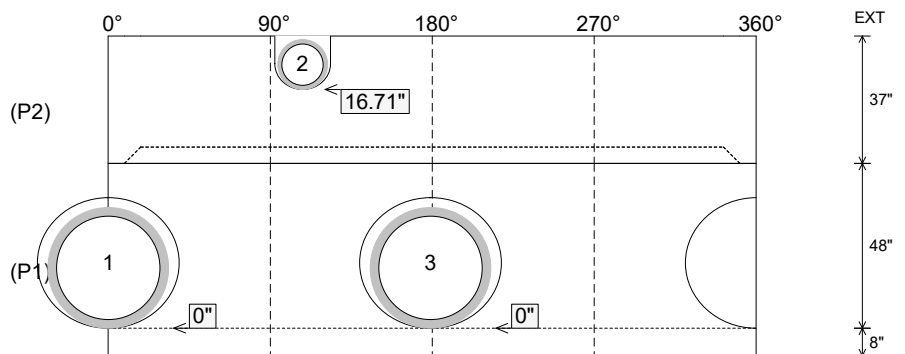
P4) 24" - CASTING HEIGHT - 7"	0 lb
P3) 60" - MH FLAT TOP w/24" Ctr. Hole F/F - 8"	2429 lb
P2) 60" - MH RISER Custom Ht F/G - 37"	3749 lb
P1) 60" - MH BASE T/n - 48"	6524 lb
2) 60" - Conseal CS-102 1.00"	0 lb
2) Hole - 38	0 lb
1) DOGHOUSE INVRTD - 16"x15"	0 lb
Structure Total:	12703 lb



Position	Elev	Angle	Pipe	Pipe OD	Hole	Connector	Up (L)	Ref
Rim	376.5'							
Reducer								
Invert 1	368.2'	0°	30" ADS N-12	35.1"	38"	Hole 38	0"	P1
Invert 2	373.88'	108°	12" ADS N-12	14.5"	16" x 15"	DOGHOUSE INVRTD 16"x15"	16.71"	P2
Invert 3	368.2'	179°	30" ADS N-12	35.1"	38"	Hole 38	0"	P1
Invert 4								
Invert 5								
Invert 6								
Invert 7								
Invert 8								



Cast (Int. Dim.) - Interior Dimensions



Submittal Drawing
 10/20/2025 12:20:34 PM

SUBMITTAL
 APPROVED BY: